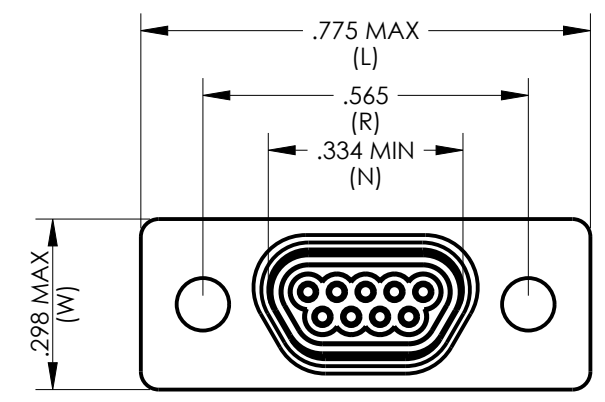
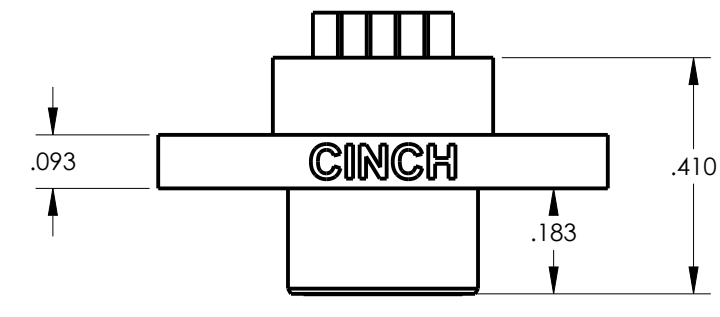
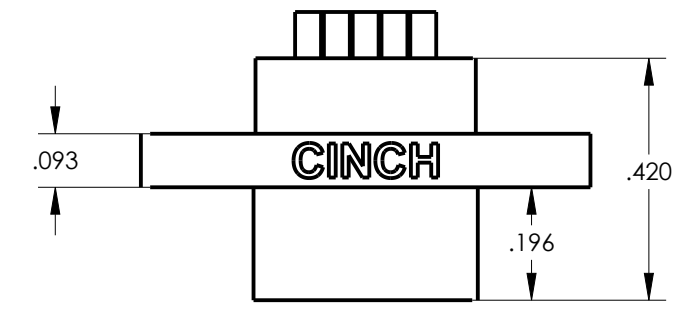
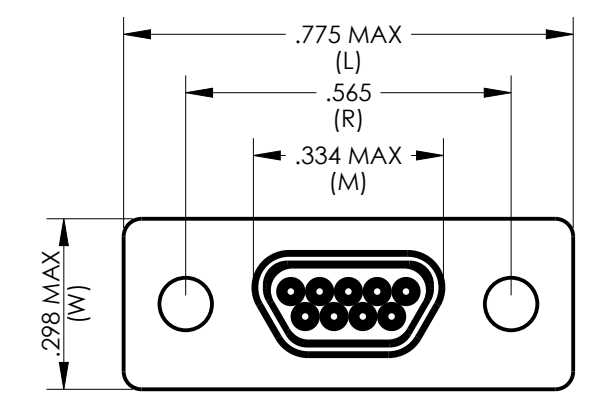


| DRAWING REVISIONS (RELEASE DATE ON FILE) | | | |
|---|---------------|-----|---------------|
| REV | DOCUMENT | APP | APPROVAL DATE |
| 02 | SALES DRAWING | JW | 4/13/23 |

SOCKET CONNECTOR



PLUG CONNECTOR

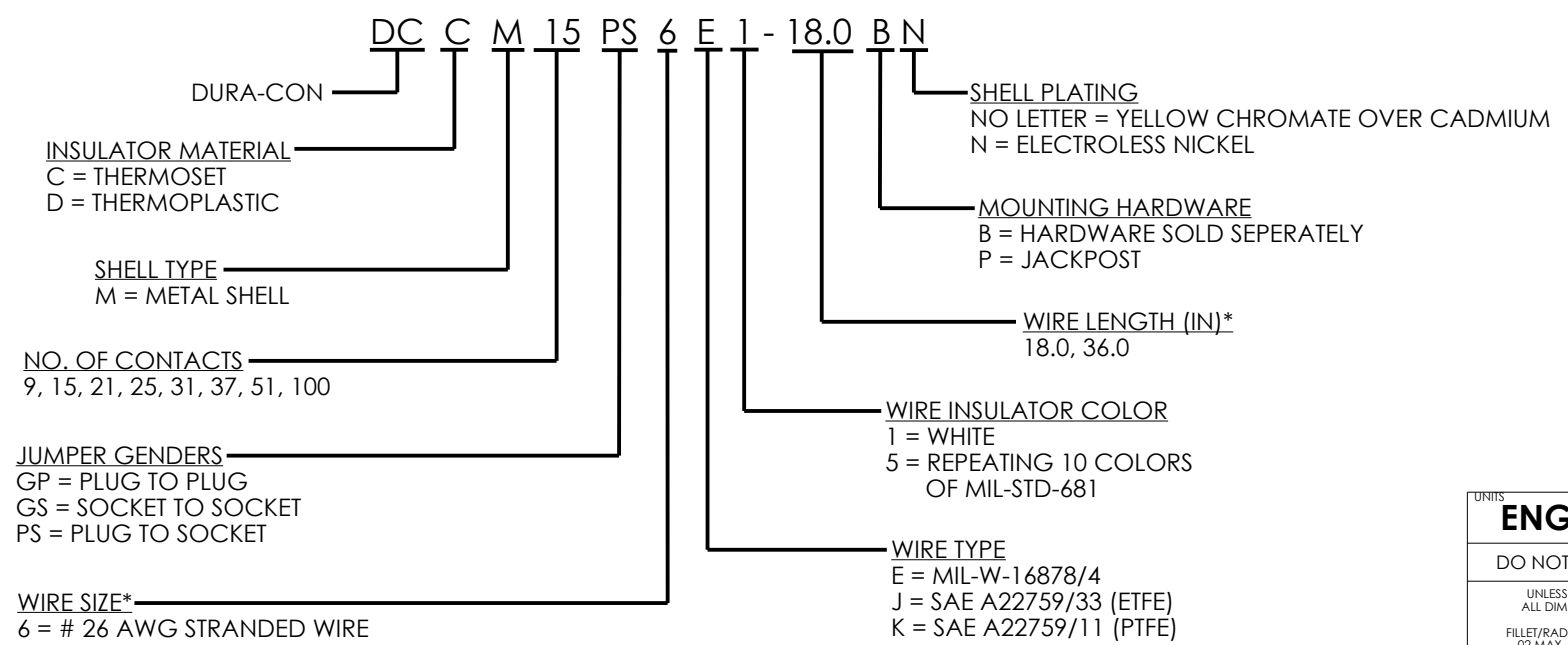


Notes:

1. DIMENSIONS ARE FOR REFERENCE ONLY
2. CUSTOMER DRAWING ONLY, NOT USED FOR CINCH MANUFACTURE
3. PART MARK CONNECTOR WITH CINCH
4. ALL OTHER DETAILS AND DIMENSIONS IAW MIL-DTL-83513 OR CINCH DURA-CON CATALOGUE

| CONNECTOR SIZE | L | M | N | R | W |
|----------------|-------|-------|-------|-------|------|
| 9P | .775 | .334 | | .565 | .298 |
| 15P | .925 | .484 | | .715 | .298 |
| 21P | 1.075 | .634 | | .865 | .298 |
| 25P | 1.175 | .734 | | .965 | .298 |
| 31P | 1.325 | .884 | | 1.115 | .298 |
| 37P | 1.475 | 1.034 | | 1.265 | .298 |
| 51P | 1.425 | .984 | | 1.215 | .341 |
| 100P | 2.160 | 1.384 | | 1.800 | .384 |
| 9S | .775 | | .334 | .565 | .298 |
| 15S | .925 | | .484 | .715 | .298 |
| 21S | 1.075 | | .634 | .865 | .298 |
| 25S | 1.175 | | .734 | .965 | .298 |
| 31S | 1.325 | | .884 | 1.115 | .298 |
| 37S | 1.475 | | 1.034 | 1.265 | .298 |
| 51S | 1.425 | | .984 | 1.215 | .341 |
| 100P | 2.160 | | 1.384 | 1.800 | .384 |

SALES-CODE NOMENCLATURE



*CONSULT FACTORY FOR ADDITIONAL SIZES

| | | | | |
|--|--|--------------------------------|---|----------------------------|
| <p>UNITS: ENGLISH INCHES</p> <p>DO NOT SCALE DRAWING</p> <p>UNLESS OTHERWISE SPECIFIED: ALL DIMENSIONS ARE IN INCHES</p> <p>FILLET/RADII .02 MAX.</p> <p>TOLERANCES .X ± .1 .XX ± .01 .XXX ± .005 ANGULAR ± .5°</p> <p>CONFIDENTIAL THIS DOCUMENT IS THE PROPERTY OF CINCH. NEITHER THIS DOCUMENT NOR ANY OF THE INFORMATION CONTAINED IN IT MAY BE DUPLICATED OR DISCLOSED WITHOUT PRIOR WRITTEN CONSENT OF CINCH. ©COPYRIGHT CINCH</p> | <p>DESIGN ENGINEER J. WARRAICH</p> | <p>DATE 3/16/23</p> | <p>MODELED BY:</p> | |
| | <p>PRO/E</p> | | <p>CINCH 1700 FINLEY RD LOMBARD, IL. 60148</p> | |
| | <p>TITLE DURA-CON MICRO-D METAL SHELL JUMPER ASSEMBLIES</p> | | <p>MATERIAL</p> | <p>CONTROL SPEC NUMBER</p> |
| | <p>APPROVALS ON FILE</p> | | <p>MATERIAL SPEC NUMBER</p> | <p>FINISH</p> |
| <p>CAD FILE NUMBER</p> | | <p>DRAWING NUMBER</p> | | |
| <p>CAGE IDENT NO. 71785</p> | | <p>SIZE B</p> | <p>SCALE 3:1</p> | <p>SHEET 1 OF 1</p> |