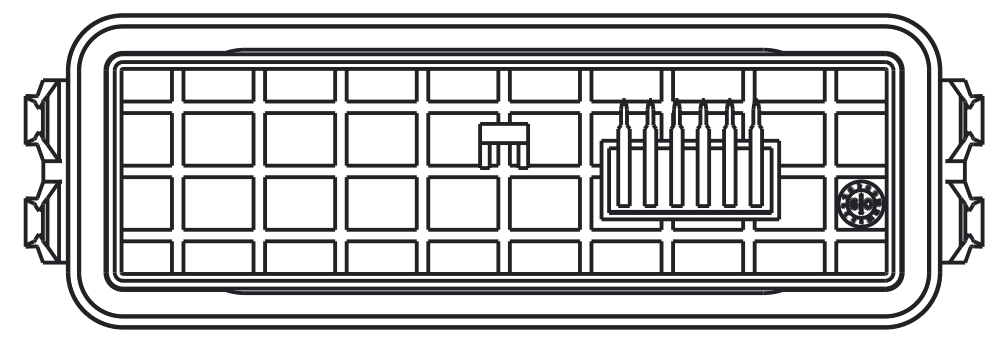
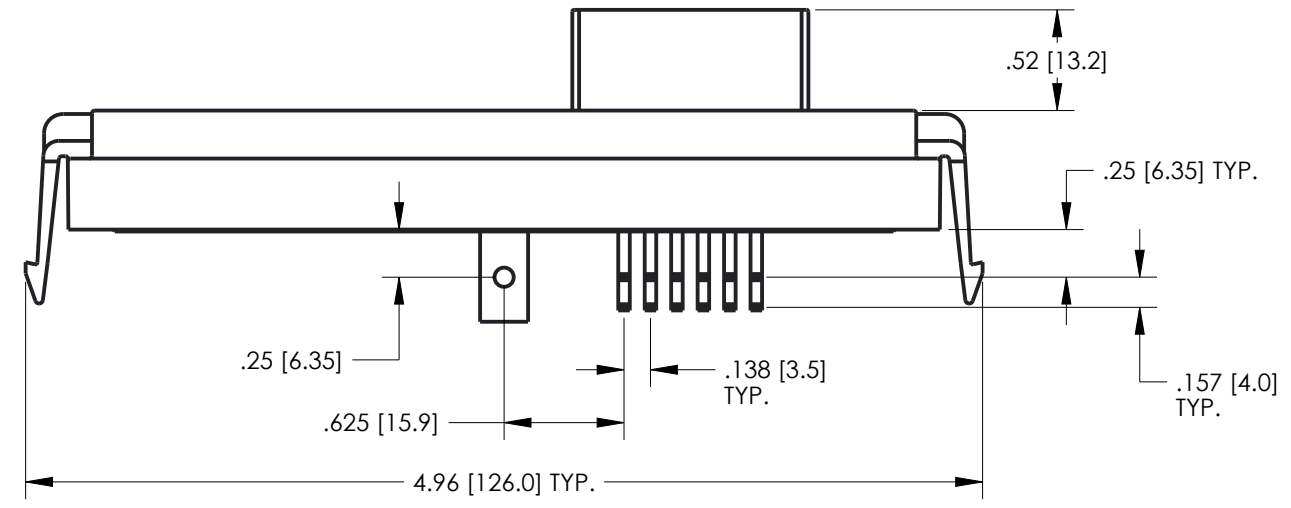
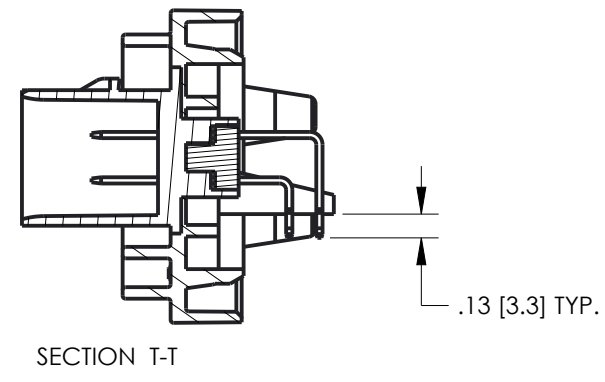
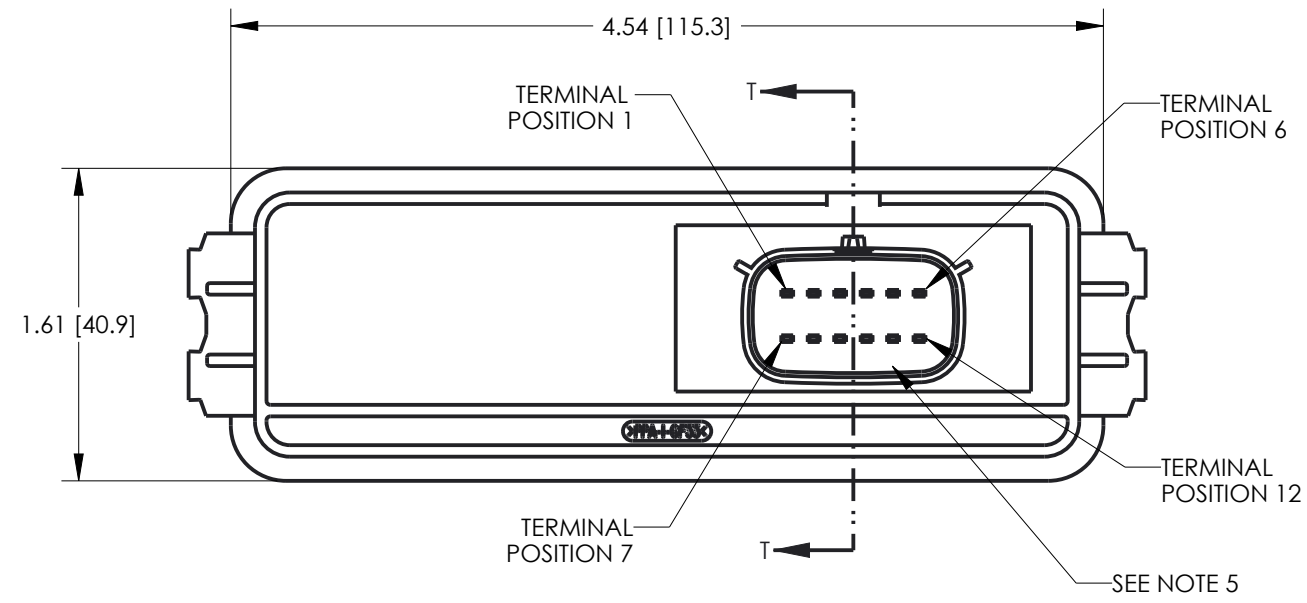


DRAWING REVISIONS (RELEASE DATE ON FILE)			
REV	DOCUMENT	APP	APPROVAL DATE
B	CO 3274	KR	718/16



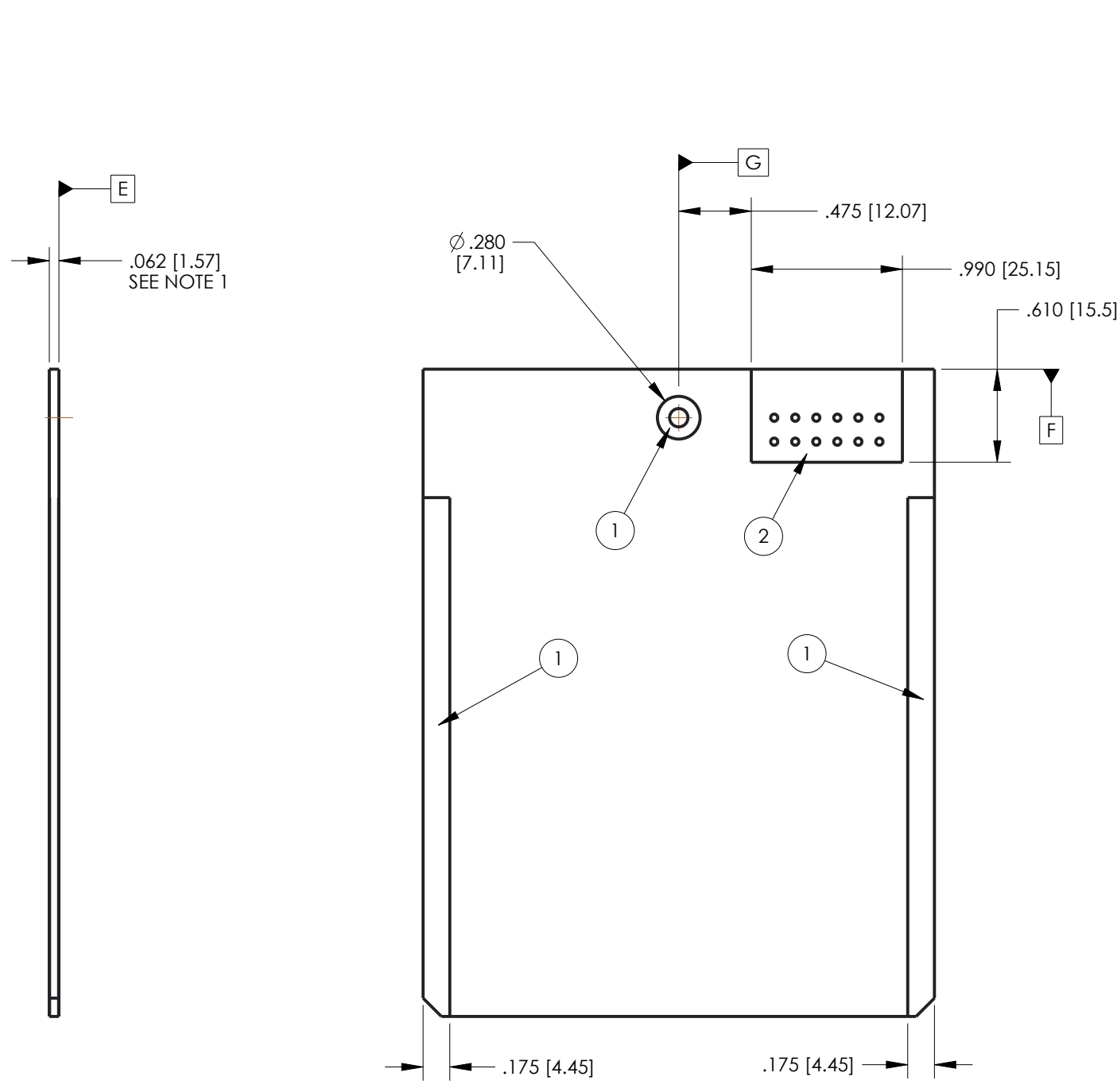
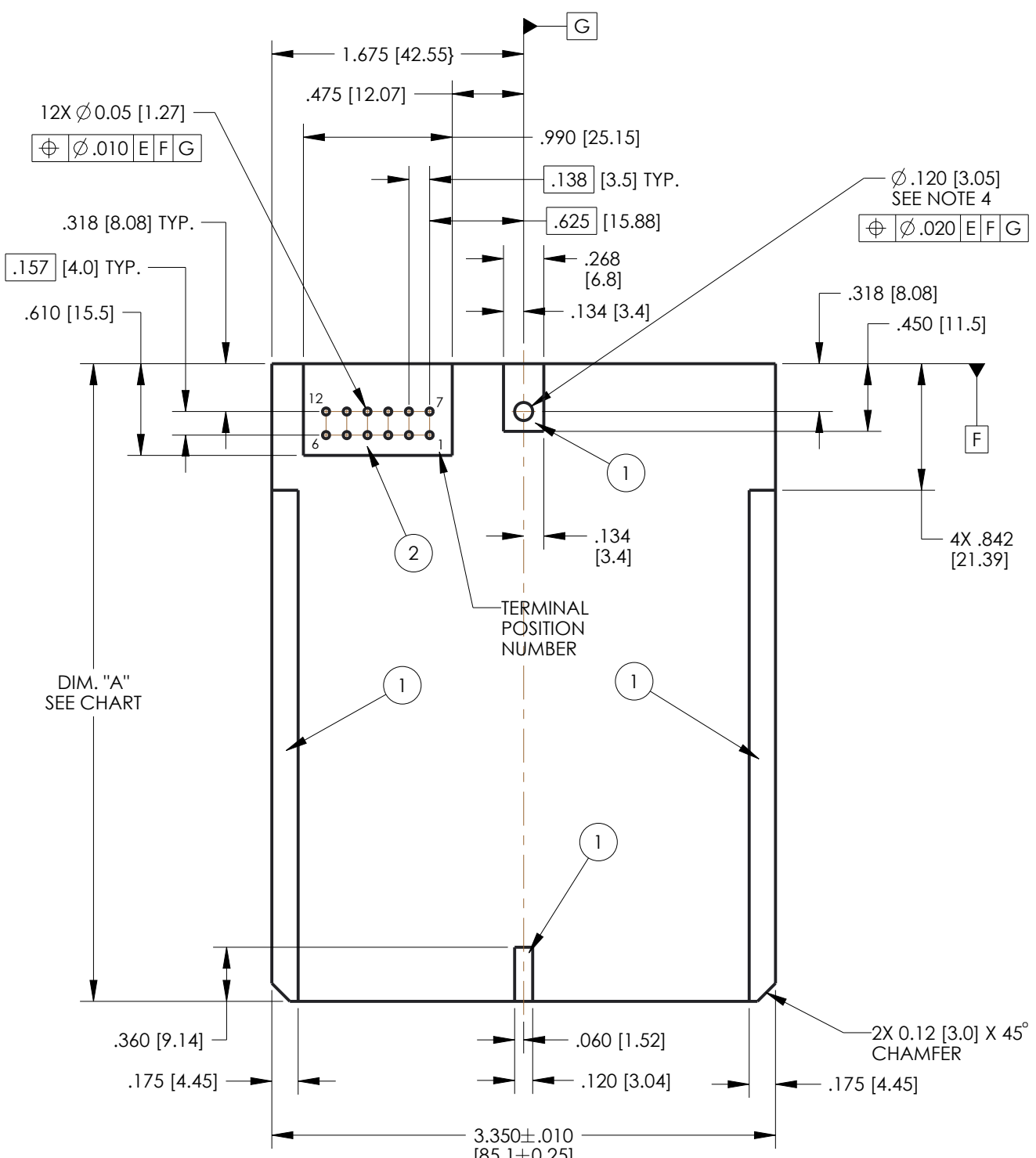
NOTES:

1. DIMENSIONS ARE IN INCHES EXCEPT DIMENSIONS INSIDE [XX] ARE IN mm. ALL DIMENSIONS ARE FOR REFERENCE ONLY.
2. MATERIALS:  
HEADER INSULATOR: 30% GLASS FILLED POLYMER, COLOR BLACK.  
TERMINAL BLADES: 1.5mm BRASS WITH TIN OVER NICKEL PLATING.
3. HEADERS ARE REFLOW OR WAVE SOLDERING PROCESS ROHS COMPLIANT.
4. SEE SHEET 2 FOR PCB DETAILS.
5. MATES WITH MOLEX FEMALE CONNECTOR 33472-1201 (COLOR BLACK).

UNITS <b>ENGLISH INCHES</b>				<b>CINCH</b> <small>1700 FINLEY RD LOMBARD, IL. 60148</small>		
DO NOT SCALE DRAWING		DESIGN ENGINEER K. ROSBOROUGH	DATE 07/11/14	TITLE MODICE ME-MX 12 POSITION ASSEMBLY		
UNLESS OTHERWISE SPECIFIED: ALL DIMENSIONS ARE IN INCHES		<b>APPROVALS ON FILE</b>		MATERIAL NOTED	CONTROL SPEC NUMBER	
FILLET/RADII .02 MAX.	TOLERANCES .X ± .1 .XX ± .01 .XXX ± .005 ANGULAR ± .5°			MATERIAL SPEC NUMBER	FINISH	PROJECT NUMBER A15123
<b>CONFIDENTIAL</b> <small>THIS DOCUMENT IS THE PROPERTY OF CINCH. NEITHER THIS DOCUMENT NOR ANY OF THE INFORMATION CONTAINED IN IT MAY BE DUPLICATED OR DISCLOSED WITHOUT PRIOR WRITTEN CONSENT OF CINCH. ©COPYRIGHT 2012 CINCH</small>				CAD FILE NUMBER 5810112011S	DRAWING NUMBER <b>581 01 12 011S</b>	
		CAGE IDENT NO. 71785	SIZE B	SCALE 1:1	SHEET 1 OF 2	

# PCB TOP SIDE

# PCB BOTTOM SIDE



**PCB NOTES:**

1. SUGGESTED PCB THICKNESS .062 [1.57].
2. AREAS INDICATED BY (1) ARE COMPONENT AND TRACE KEEP OUT AREAS.
3. AREAS INDICATED BY (2) ARE COMPONENT KEEP OUT AREAS.
4. SUGGESTED SCREW TO SECURE PCB TO HEADER: #4 THREAD CUTTING SCREW (TYPE 23 OR SIMILAR) TORQUED TO 2-3 IN-LBS [0.23-0.34N-m].

**RECOMMENDED PCB LENGTH**

DIM. "A" (SEE DRAWING)	USE WITH ENCLOSURE	
	PART NUMBER	DESCRIPTION
4.242±0.015 [107.75±0.38]	581 01 30 065	ME
	581 01 30 075	ME WITH BREATHER
2.542±0.015 [64.57±0.38]	581 01 30 090	MINI ME
	581 01 30 095	MINI ME WITH BREATHER

UNITS <b>ENGLISH INCHES</b>		<b>CINCH</b>		1700 FINLEY RD LOMBARD, IL. 60148	
DO NOT SCALE DRAWING		TITLE MODICE ME-MX 12 POSITION ASSEMBLY			
UNLESS OTHERWISE SPECIFIED: ALL DIMENSIONS ARE IN INCHES		SCALE 1:1			
FILLET/RADII .02 MAX.		TOLERANCES .X ± .1 .XX ± .01 .XXX ± .005 ANGULAR ± .5°		DRAWING NUMBER <b>581 01 12 011 S</b>	
CONFIDENTIAL THIS DOCUMENT IS THE PROPERTY OF CINCH. NEITHER THIS DOCUMENT NOR ANY OF THE INFORMATION CONTAINED IN IT MAY BE DUPLICATED OR DISCLOSED WITHOUT PRIOR WRITTEN CONSENT OF CINCH. ©COPYRIGHT 2012 CINCH		CAD FILE NUMBER 5810112011S	SIZE B	REVISION B	SHEET 2 OF 2