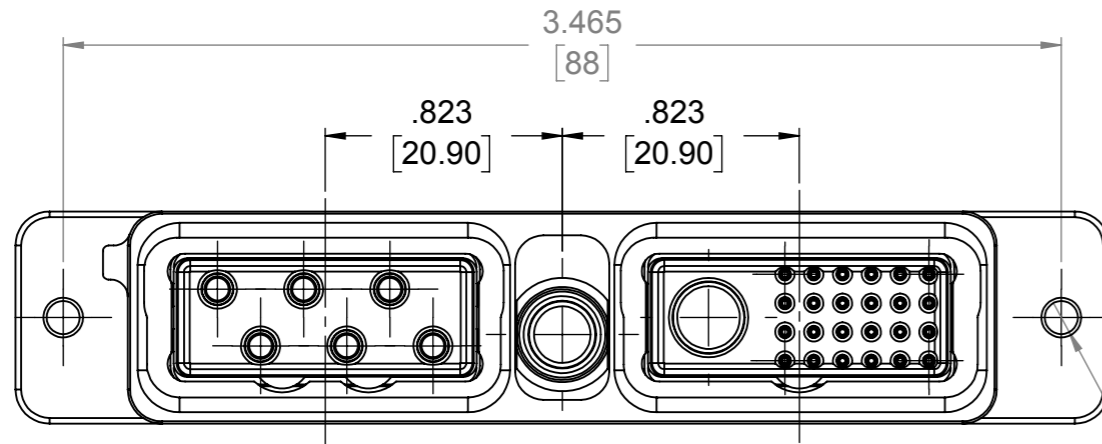


CINCH PART NUMBER	RADIALL PART NUMBER
C-617610188	617610188

NOTES:
 1. ALL DIMENSIONS ARE INCH [MM] AND ARE FOR REFERENCE
 2. CUSTOMER APPROVAL REQUIRED

SERIES C-ENX	DESIGNATION C-ENX B2 RECEPTACLE CONNECTOR A: 25 POS. INSERT #22 & #8 CONTACT B: 6 POS. INSERT #12 CONTACT	C-617610188-S	A
	FINISH		



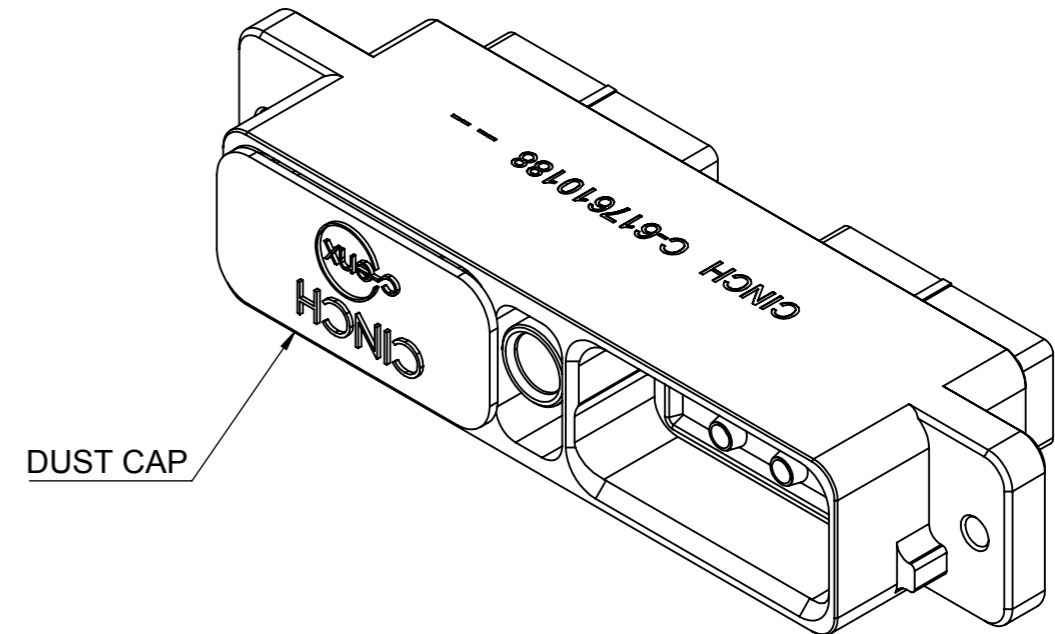
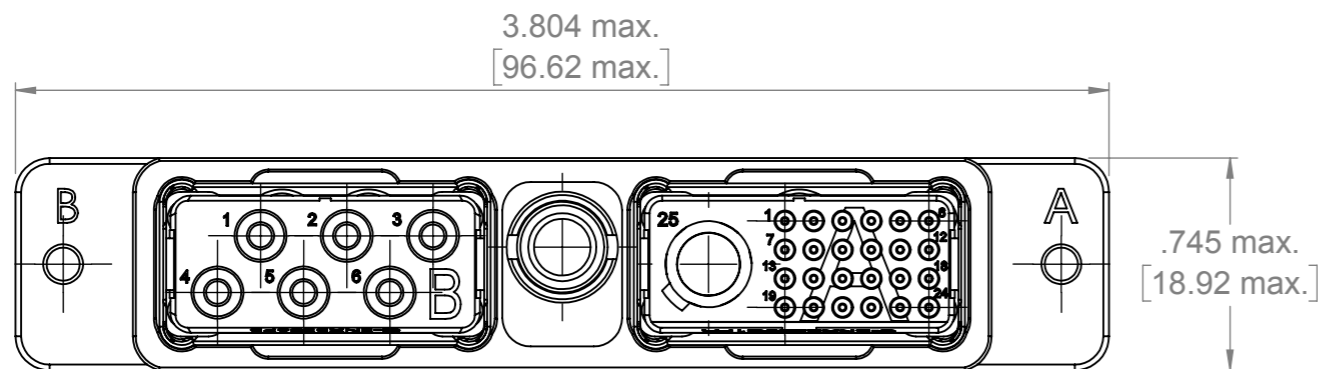
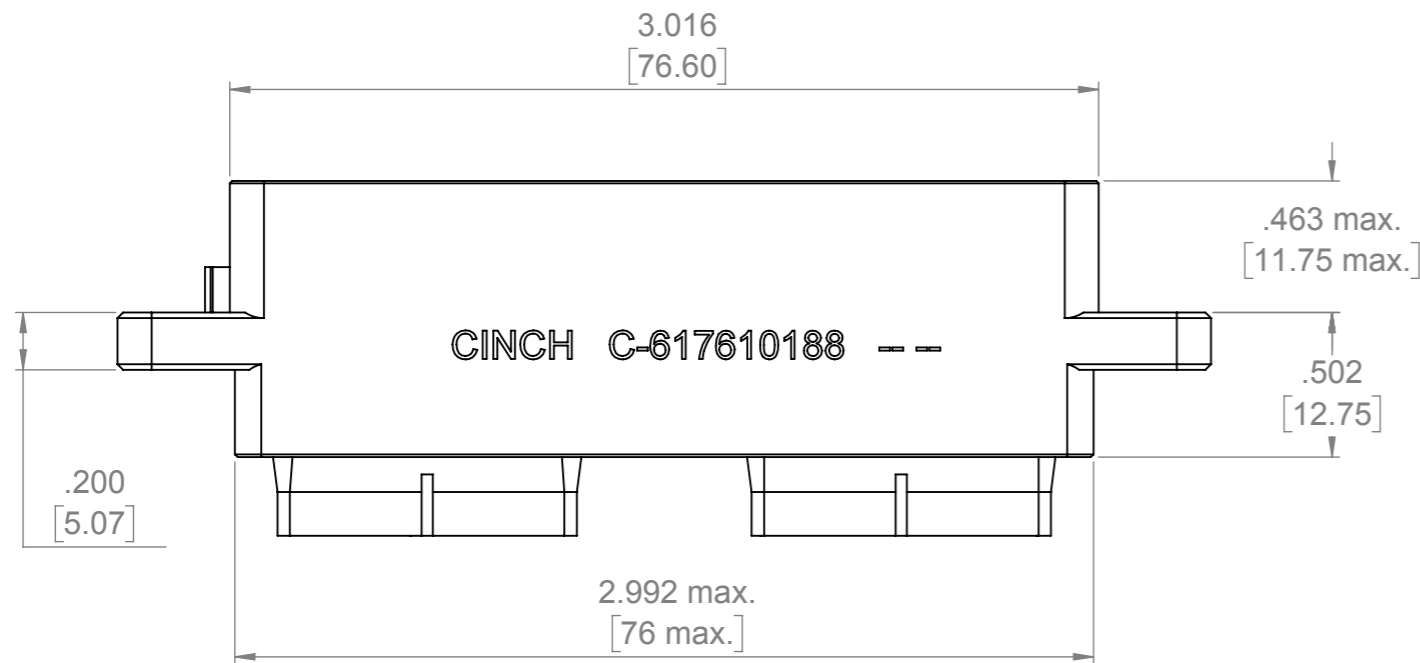
2X SELF LOCKING THREADS
 6-32 UNC 2B SCREWS
 COUPLING TORQUE: 1.1±0.10 N.m

MATERIALS & FINISHES:

- SHELL: ALUMINIUM ALLOY 6061 T651; NICKEL PLATED.
- INSERT RETENTION CLIP: BERYLLIUM COPPER.
- GUIDE BUSHING: STAINLESS STEEL.
- INSERT: THERMOSET PLASTIC WITH METALLIC CLIPS.
- REAR GROMMET & INTERFACIAL SEAL: FLUOROSILICONE ELASTOMER.
- CONTACT: COPPER ALLOY, GOLD OVER NICKEL PLATED.
- DUST CAP: THERMOPLASTIC.

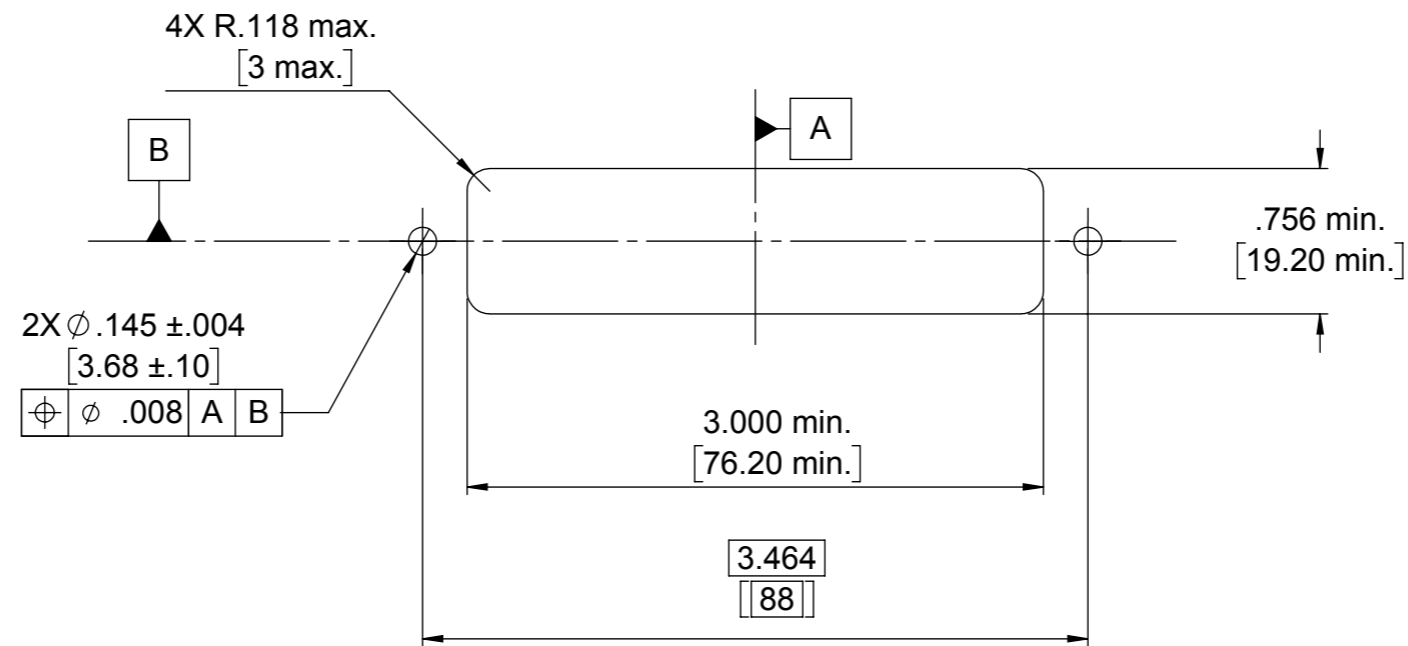
CONNECTOR SUPPLIED WITH :

- 1 INSERT FOR 24 SIZE 22 & 1 SIZE 8 PIN CONTACTS, P/N C-ENXBE25Q1PA, INSTALLED.
- 1 INSERT FOR 6 SIZE 12 PIN CONTACTS, P/N C-ENXBE06PB, INSTALLED.
- 16 X SIZE 22 CRIMP PIN CONTACTS, P/N C-617200, UNINSTALLED.
- 6 X SIZE 12 CRIMP PIN CONTACTS, P/N C-617250, UNINSTALLED.
- 1X FILLER PLUG, PN: C-618915, UNINSTALLED
- 9X FILLER PLUG. PN: C-616910, UNINSTALLED
- GUIDE BUSHING, PN: C-618980024, INSTALLED.
- DUST CAP INSTALLED ON EACH CAVITY.



					Sheet: 1 of 2		VOL :		WEIGHT :		SURF.:	
					ALL DIMENSIONS ARE PLATING INCLUDED		Ra ✓		SCALE: 3:2		A3	
					Gen. Tol. ± inches °				DRAWN 03/27/19		CINCH CONNECTIVITY SOLUTIONS This document is the property of CINCH. It cannot be reproduced or communicated to a third party without a prior written permission	
					MATERIAL				NAME CF			
					TREATMENT				CHECKED NAME			
A	4069	INITIAL RELEASE			11/21/19	MS						
IND	ECN	MODIFICATION			DATE	NAME	CHECKED					
A	CREATION	PEN: .	EP: .	N°Provisional:.	DATE .	NAME .						

SERIES C-ENX	DESIGNATION C-ENX B2 RECEPTACLE CONNECTOR A: 25 POS. INSERT #22 & #8 CONTACT B: 6 POS. INSERT #12 CONTACT	C-617610188-S	1
	FINISH		



PANEL CUTOUT

					Sheet: 2 of 2		VOL :		WEIGHT:		SURF.:	
					ALL DIMENSIONS ARE PLATING INCLUDED		Ra ✓		SCALE NONE		A3	
					Gen. Tol. inches °				DRAWN 03/27/19		CINCH CONNECTIVITY SOLUTIONS This document is the property of CINCH. It cannot be reproduced or communicated to a third party without a prior written permission.	
					MATERIAL				NAME CF			
					TREATMENT				CHECKED			
									NAME			
IND	ECN	MODIFICATION			DATE	NAME	CHECKED					
A	CREATION	PEN:	EP:	N°Provisional:	DATE	NAME						