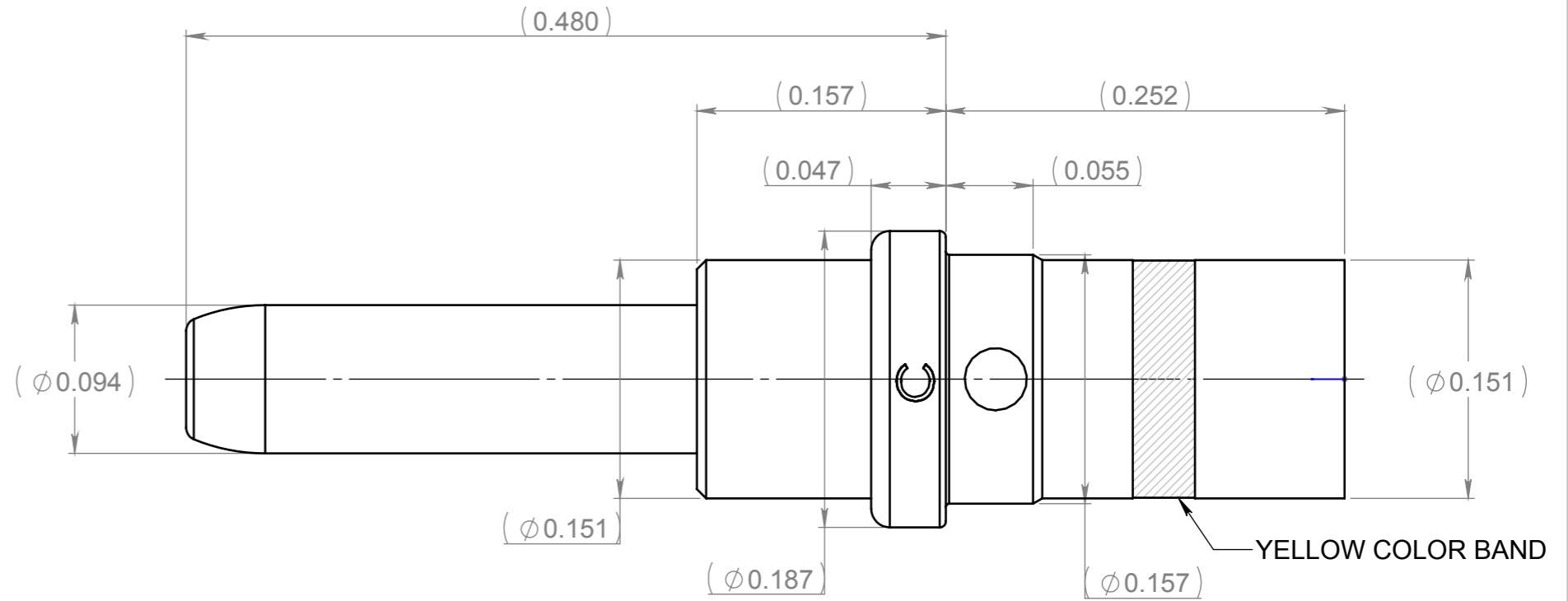
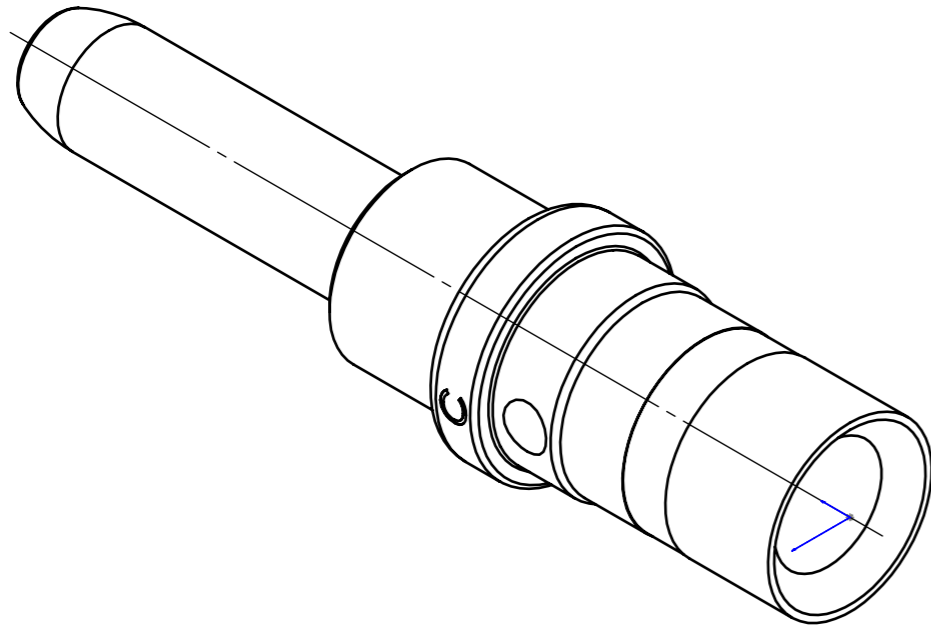


<b>SERIES</b> C-ENX	DESIGNATION	PIN CONTACT SIZE 12, CRIMP STYLE	<b>C-617250-S</b>	<b>A</b>
	PROTECTION			



NOTES:

1. CINCH PART NUMBER: C-617250
2. ALL DIMENSIONS ARE FOR REFERENCE
3. CONTACTS ARE BULK PACKAGED IN SEALED PLASTIC BAG IDENTIFIED WITH:

CINCH  
DATE CODE  
P/N: C-617250  
Licensed Radiall P/N 617250

MATERIALS AND FINISHES: COPPER ALLOY WITH GOLD PLATING

WIRES ACCOMODATED: AWG 12, AWG 14, AWG 16  
INSULATOR DIAMETER: .133 MAX  
STRIP LENGTH: .236

CRIMP TOOL RECOMMENDATED: M22520/1-01

SELECTOR POSITION: 6 FOR AWG 16  
7 FOR AWG 14  
8 FOR AWG 12

POSITIONER: M22520/1-02

CONTACT INSERT/EXTRACTION TOOL: M81969/14-04

						VOL :		WEIGHT : 1.1 grams		SURF.:	
						ALL DIMENSIONS ARE PLATING INCLUDED		Ra . ✓		SCALE 10:1	
						Gen.Tol. ± inches   °		A3		<p><b>CINCH</b> CONNECTIVITY SOLUTIONS</p>	
						MATERIAL		DRAWN NAME			
						TREATMENT		CHECKED NAME		<p>This document is the property of CINCH. It cannot be reproduced or communicated to a third party without a prior written permission.</p>	
IND	ECN	MODIFICATION		DATE	NAME	CHECKED					
A	CREATION	PEN:	EP: .	N°Provisional:	DATE	NAME					