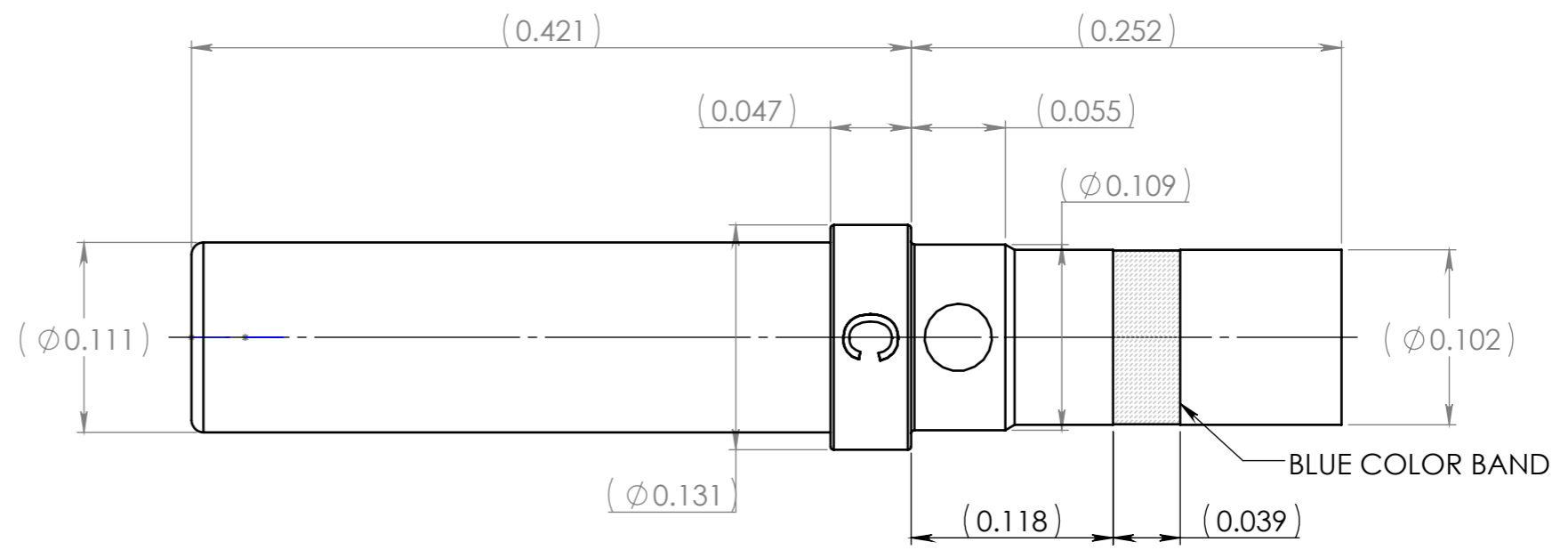
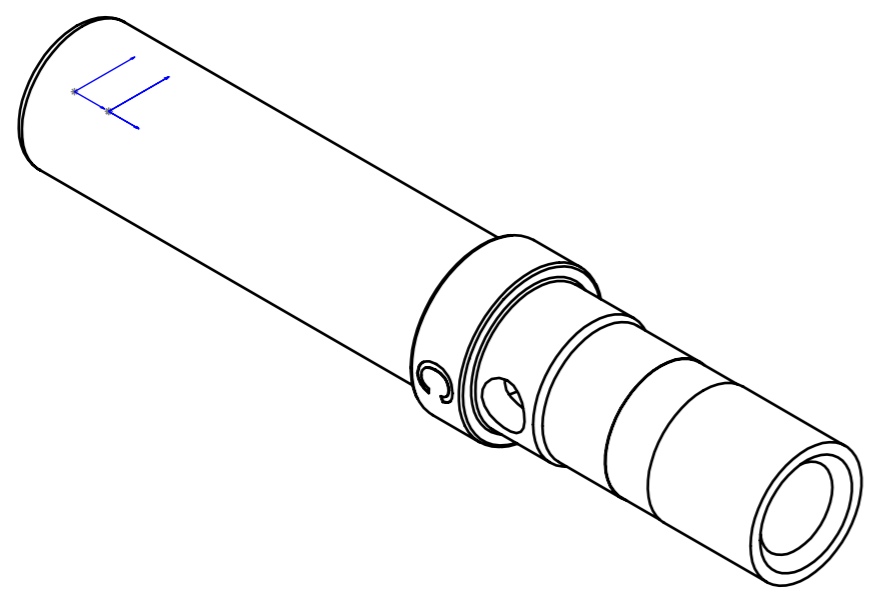


SERIES C-ENX	DESIGNATION	SOCKET CONTACT SIZE 16, CRIMP STYLE	C-617340-S	A
	PROTECTION			



NOTES:

- CINCH PART NUMBER: C-617340
- ALL DIMENSIONS ARE FOR REFERENCE
- CONTACTS ARE BULK PACKAGED IN SEALED PLASTIC BAG IDENTIFIED WITH:

CINCH
DATE CODE
P/N: C-617340
Licensed Radiall P/N 617340

MATERIALS AND FINISHES:
CONTACT BODY: COPPER ALLOY WITH GOLD PLATING
PROTECTION SLEEVE: STAINLESS STEEL, PASSIVATED

WIRES ACCOMODATED: AWG 16, AWG 18, AWG 20
INSULATOR DIAMETER: .102 MAX
STRIP LENGTH: .236

CRIMP TOOL RECOMMENDATED: M22520/1-01

SELECTOR POSITION: 6 FOR AWG 16
5 FOR AWG 18
4 FOR AWG 20

POSITIONER: M22520/1-02

CONTACT INSERT/EXTRACTION TOOL: M81969/1-03

						VOL :		WEIGHT : 0.2 grams		SURF.:	
						ALL DIMENSIONS ARE PLATING INCLUDED		Ra . ✓		SCALE 10:1	
						Gen.Tol. ± inches °		A3		CINCH CONNECTIVITY SOLUTIONS This document is the property of CINCH. It cannot be reproduced or communicated to a third party without a prior written permission.	
						MATERIAL		DRAWN NAME			
						TREATMENT		CHECKED NAME			
IND	ECN	MODIFICATION		DATE	NAME	CHECKED					
A	CREATION	PEN:	EP: .	N°Provisional:	DATE	NAME					