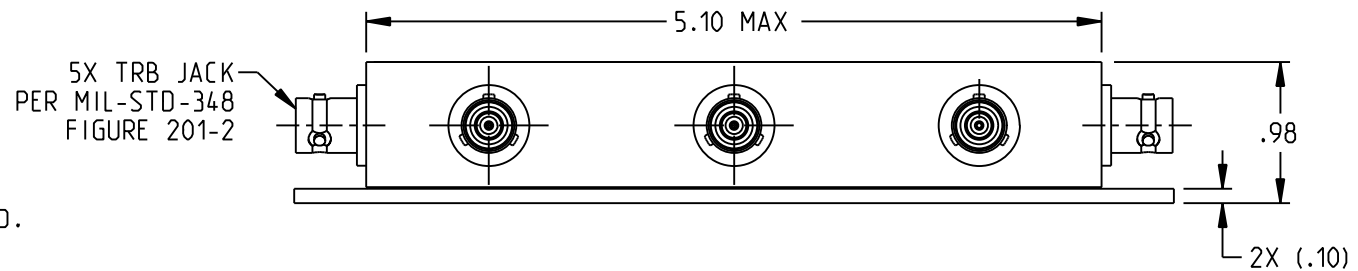
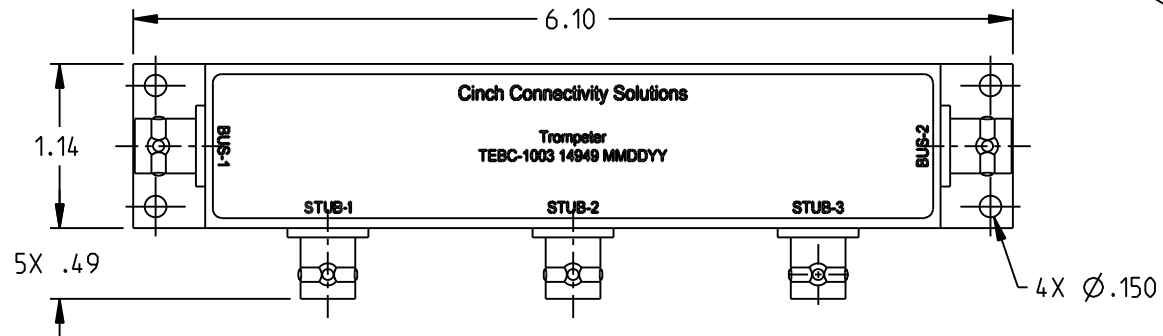
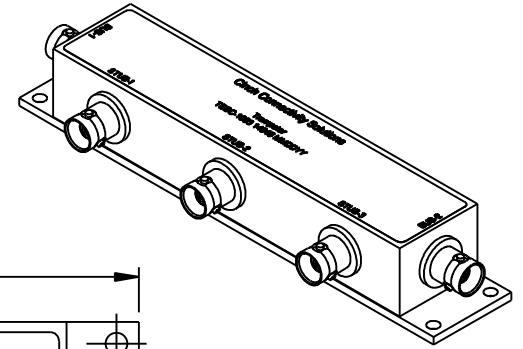
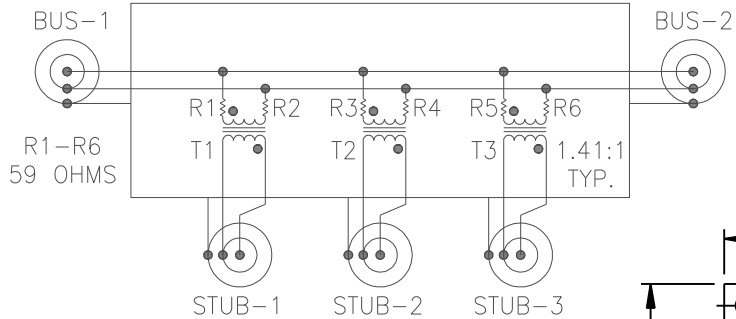


SCHEMATIC



NOTES: UNLESS OTHERWISE SPECIFIED.

1. MATERIAL & FINISH:

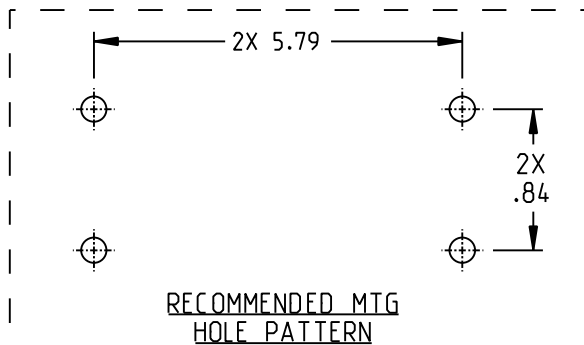
- 1.1 COUPLER HOUSING: ANODIZED ALUMINUM, PAINTED BLUE
- 1.2 TRB JACK:
 - 1.2.1 BODY: NICKEL PLATED BRASS
 - 1.2.2 INSULATOR & DIELECTRIC: PTFE (TEFLON)
 - 1.2.3 CENTER CONTACT: GOLD PLATED BERYLLIUM COPPER

2. ELECTRICAL:

- 2.1 DROOP: 20% MAXIMUM
- 2.2 OVERSHOOT AND RINGING: $\pm 1.0V$ PK-PK
- 2.3 TRANSFORMER RATIO: 1.41CT-CT
- 2.4 FAULT PROTECTION: 59 OHM $\pm 1\%$, 2 WATTS PER MIL-PRF-39007
- 2.5 COMMON MODE REJECTION: -55dB @ 1 MHz

3. ENVIRONMENTAL:

- 3.1 OPERATING TEMPERATURE: -55°C TO 125°C.



<p>This PROPRIETARY Document is property of Cinch Connectivity Solutions. It is confidential in nature, non-transferable, and issued with the clear understanding that it is not traced or copied without permission and is returnable upon demand.</p> <p>INTERPRET DRAWING IN ACCORDANCE WITH ASME Y14.5-2009.</p>		<h2>TROMPETER</h2>	
		Title: TRB BUS COUPLER, UNTERMINATED, THREE STUBS	
UNLESS OTHERWISE SPECIFIED UNITS: INCH		Model No.	TEBC-1003
.XX $\pm .03$.XXX $\pm .015$ ANGLES $\pm 2^\circ$	Size A	DO NOT SCALE DRAWING	Date: 4/8/2020 Sheet 1 OF 1