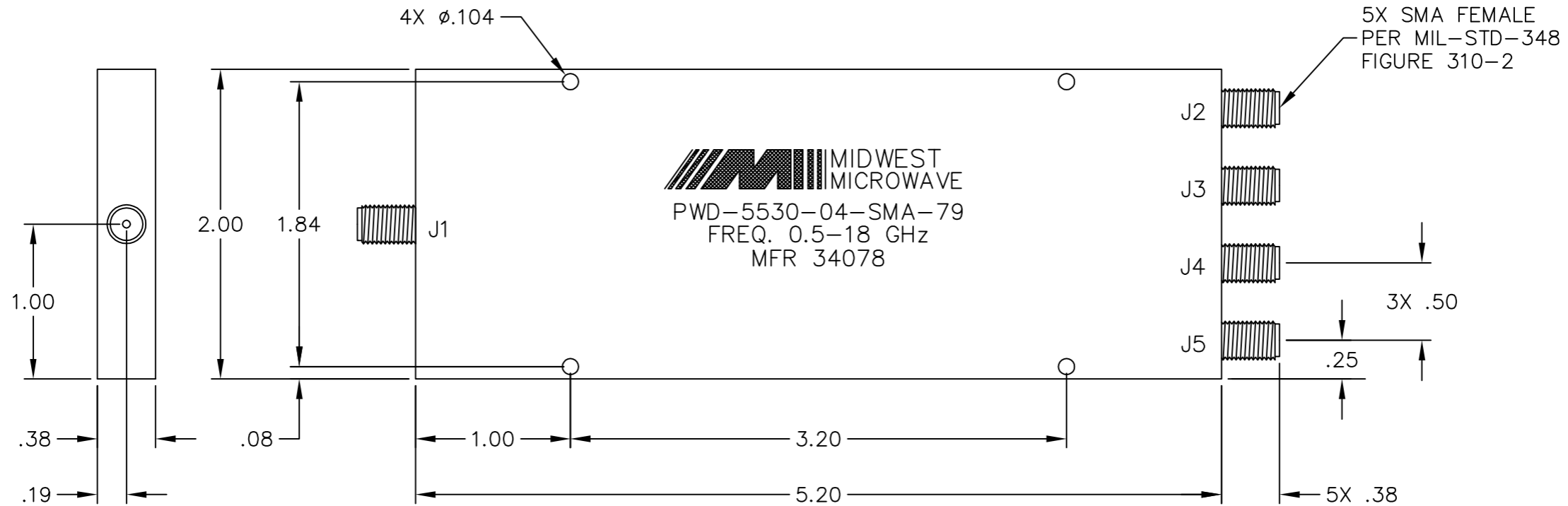


REV	ECO	DATE
E	19325	7/18/2003
F	19608	1/30/2004
G	58292	7/1/2022



NOTES:

1. MATERIAL & FINISH:

- 1.1. HOUSING (CIRCUIT): GREY PAINT OVER CHEMICAL CONVERSION COATED ALUMINUM
- 1.2. HOUSINGS (CONNECTORS): PASSIVATED STAINLESS STEEL
- 1.3. DIELECTRICS: PTFE (TEFLON)
- 1.4. CENTER CONDUCTORS: GOLD PLATED BERYLLIUM COPPER
- 1.5. DUST CAPS (NOT SHOWN): POLYETHYLENE

2. SPECIFICATIONS:

- 2.1. FREQUENCY RANGE: 0.5 TO 18.0 GHz
- 2.2. INSERTION LOSS (MAX): $0.5 + 0.2f$ dB ($f = \text{GHz}$)
- 2.3. ISOLATION (MIN): 15 dB
- 2.4. OUTPUT UNBALANCE:
 - 2.4.1. AMPLITUDE (MAX): 0.5 dB
 - 2.4.2. PHASE (MAX): 10°
- 2.5. VSWR (MAX): 1.60:1
- 2.6. INPUT POWER (MAX): 30 WATTS
- 2.7. RF IMPEDANCE: 50 OHMS NOMINAL

	Model No.	PWD-5530-04-SMA-79	MIDWEST MICROWAVE	
	RoHS	Cage Code	34078	
<small>NOTICE: The information in this drawing is PROPRIETARY and must not be used without the permission of Cinch Connectivity Solutions. It may contain data whose export is restricted. Verify status prior to exporting.</small> <small>INTERPRET DRAWING IN ACCORDANCE WITH ASME Y14.5-2018</small>	UNLESS OTHERWISE SPECIFIED UNITS: INCH	3RD ANGLE PROJECTION	Title: POWER DIVIDER 4 WAY, 0.5-18 GHz	
	.XX ± .02 .XXX ± .005 ANGLES ± 2°	Engineer:	J.O'NEIL	Drawing No. PWD-5530-04-SMA-79-01
	Date:	6/1/95	Rev. G	SHEET 1 OF 1
	SIZE	A	DO NOT SCALE DRAWING	Workmanship Std: