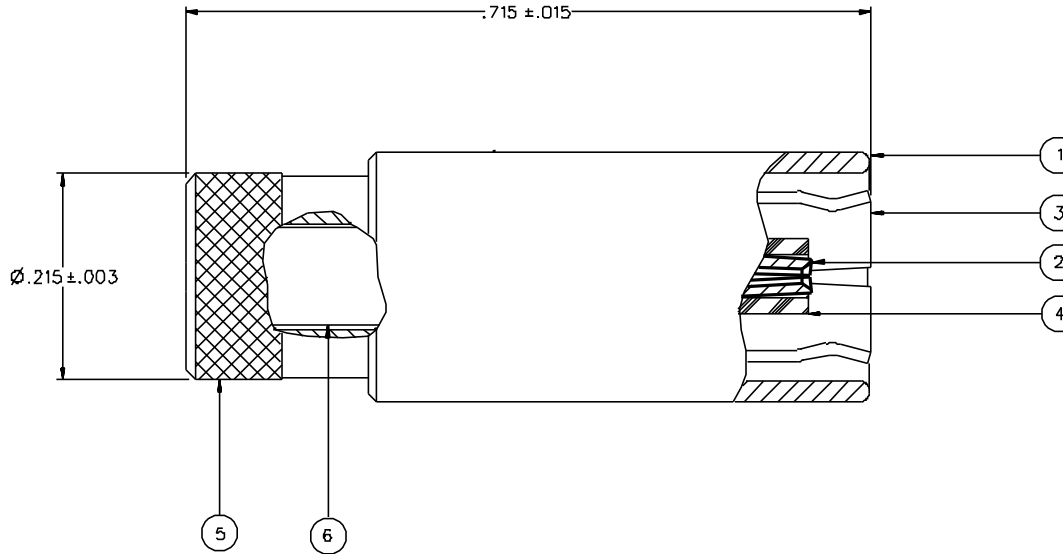


PART NUMBER	ITEM ① FRONT BODY	ITEM ② CONTACT	ITEM ③ INTERFACE	ITEM ④ INSULATOR	ITEM ⑤ REAR BODY	ITEM ⑥ RESISTOR
131-3801-821	BRASS GOLD PL .00001 MIN OVER NICKEL PL .00005 MIN OVER COPPER PL .00005 MIN	BERYLLIUM COPPER GOLD PL .00003 MIN OVER NICKEL PL .00005 MIN OVER COPPER PL .00005 MIN	BERYLLIUM COPPER GOLD PL .00003 MIN OVER NICKEL PL .00005 MIN OVER COPPER PL .00005 MIN	TEFLON	BERYLLIUM COPPER GOLD PL .00001 MIN OVER NICKEL PL .00005 MIN OVER COPPER PL .00005 MIN	75 OHM -- 1%
131-3801-826	BRASS NICKEL PL .0001 MIN OVER COPPER PL .00005 MIN	BERYLLIUM COPPER GOLD PL .00003 MIN OVER NICKEL PL .00005 MIN OVER COPPER PL .00005 MIN	BERYLLIUM COPPER NICKEL PL .0001 MIN OVER COPPER PL .00005 MIN	TEFLON	BERYLLIUM COPPER NICKEL PL .0001 MIN OVER COPPER PL .00005 MIN	75 OHM -- 1%



NOTES:

1. SPECIFICATIONS:

RESISTANCE: 75+-5% OHMS  
 FREQUENCY RANGE: 0-2 GHZ  
 VSWR: NOT APPLICABLE  
 MAXIMUM POWER: 0.5 WATT AT 25° C, DERATED TO 0.25 WATT AT 125° C  
 CONTACT RESISTANCE:  
 CENTER CONTACT - INITIAL 6 MILLIOHM MAX, AFTER ENVIRONMENTAL 8 MILLIOHM MAX  
 OUTER CONDUCTOR - GOLD PLATED INITIAL 1 MILLIOHM MAX, AFTER ENVIRONMENTAL 1.5 MILLIOHM MAX, NICKEL PLATED INITIAL 2.5 MILLIOHM MAX, AFTER ENVIRONMENTAL 3.5 MILLIOHM MAX

MECHANICAL:

ENGAGE/DISENGAGE FORCE: INITIAL 14 LBS MAX, AFTER DURABILITY 14 LBS MAX  
 ENGAGEMENT/2 LBS MIN DISENGAGEMENT  
 CONTACT RETENTION: 4 LBS MIN AXIAL FORCE  
 DURABILITY: 500 CYCLES MIN

ENVIRONMENTAL:

OPERATING TEMPERATURE: -65° C TO 100° C

DRAWING NO. C - 131-3801-821/830			
0 REVISIONS			
ENGINEERING RELEASE			
1	11-9-95	R H P	43889 ECN 43748
CHANGED: 75+-5% OHMS WAS 75+-1%			
1a	1-22-96	R H P	1-29-96 ECN 43889
CHANGED: UPDATED GRAPHICS			
* REVISION NUMBER FOLLOWED BY AN ALPHA *			
* CHARACTER INDICATED DRAWING CLARIFY *			
* CATCH OR PART NUMBER ADDITION ONLY *			
1b	5-6-96	R H P	ECN 44019

CUSTOMER DRAWING

THIS DRAWING TO BE INTERPRETED PER ANSI Y 14.5M - 1982

"µSTATION"

COMPANY CONFIDENTIAL

TOLERANCE UNLESS OTHERWISE SPECIFIED		DRAWN BY TAK	DATE 10-9-95	 Cinch Connectivity Solutions 299 Johnson Ave. Ste. 100 Waseca, MN 56093 1-800-247-8256
DECIMALS .XX	mm	CHECKED BY	DATE	
.XXX		APPROVED BY TAK	DATE 11-20-95	TITLE PLUG RESISTOR, 75 OHMS SMB
FINISH		APPROVED BY RJB	DATE 11-20-95	CODE NO.
		RELEASE DATE 11-28-95		DRAWING NO. C - 131-3801-821/830
				SCALE 10:1   U/M INCH   SHEET 2 OF 2