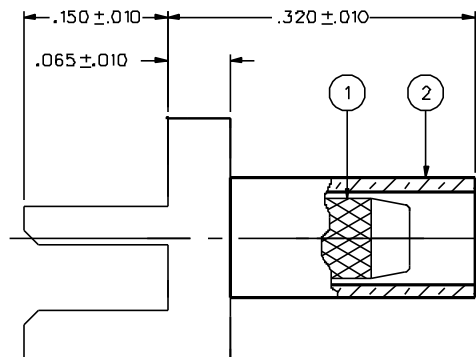
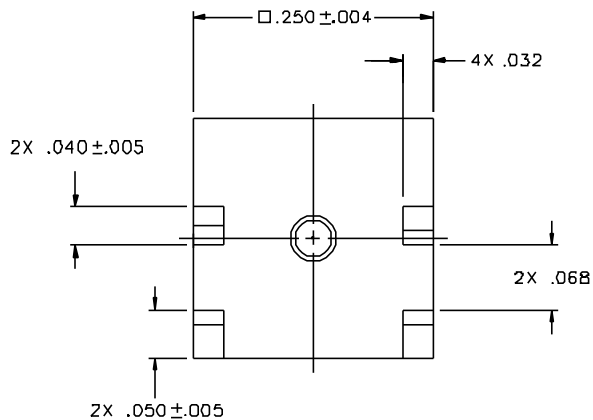
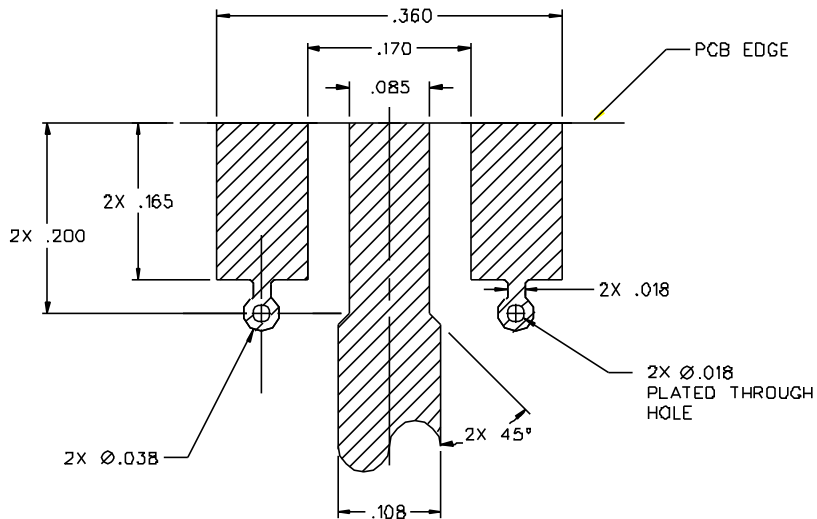


| PART NUMBER | ITEM ① BODY | ITEM ② CRIMP SLEEVE |
|--------------|---|--|
| 142-0002-801 | BRASS GOLD PL .00001 MIN OVER NICKEL PL .00005 MIN OVER COPPER PL .00005 MIN | COPPER GOLD PL .00001 MIN OVER NICKEL PL .00005 MIN OVER COPPER PL .00005 MIN |
| 142-0002-806 | BRASS NICKEL PL .0001 MIN OVER COPPER PL .00005 MIN | COPPER NICKEL PL .0001 MIN OVER COPPER PL .00005 MIN |

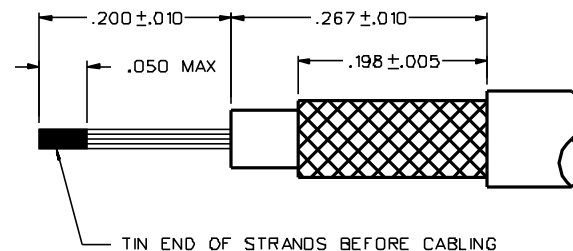
| | |
|-------------------------------------|-------------------------------|
| DRAWING NO. C - 142-0002-801/810 | |
| 0 | REVISIONS |
| ENGINEERING RELEASE | |
| 1 | B-25-98 R H K T R S ECN 45B20 |



DIMENSIONS ARE SYMMETRICAL ABOUT THE CENTERLINE



TRACE WIDTH DIMENSIONS



CABLE STRIP DIMENSIONS

CUSTOMER DRAWING


THIS DRAWING TO BE INTERPRETED PER ANSI Y 14.5M - 1982

"μSTATION"

COMPANY CONFIDENTIAL

NOTES:

- SPECIFICATIONS:
CABLE ACCEPTABILITY: RG 17B/U, RG 196/U
CABLE HEX CRIMP SIZE: .105
CABLE RETENTION: 10 LBS
IMPEDANCE: 50 OHMS

| | | | | |
|--------------------------------------|--------------------|-----------------|---|-------------------------------------|
| TOLERANCE UNLESS OTHERWISE SPECIFIED | DRAWN BY KAS | DATE 5/19/98 |  <small>Cinch Connectivity Solutions 299 Johnson Ave. Ste. 100 Waseca, MN 56093 1-800-247-8256</small> | |
| DECIMALS .XX | CHECKED BY KAS | DATE 8-27-98 | TITLE CABLE TERMINATION, 0.6B END LAUNCH, RG 17B | |
| .XXX -- .003 | APPROVED BY TAK | DATE 9-9-98 | CODE NO. | DRAWING NO. C - 142-0002-801/810 |
| MATL | APPROVED BY RJB | DATE 9-11-98 | SCALE 10:1 | U/M INCH SHEET 2 OF 2 |
| FINISH | RELEASE DATE | | | |