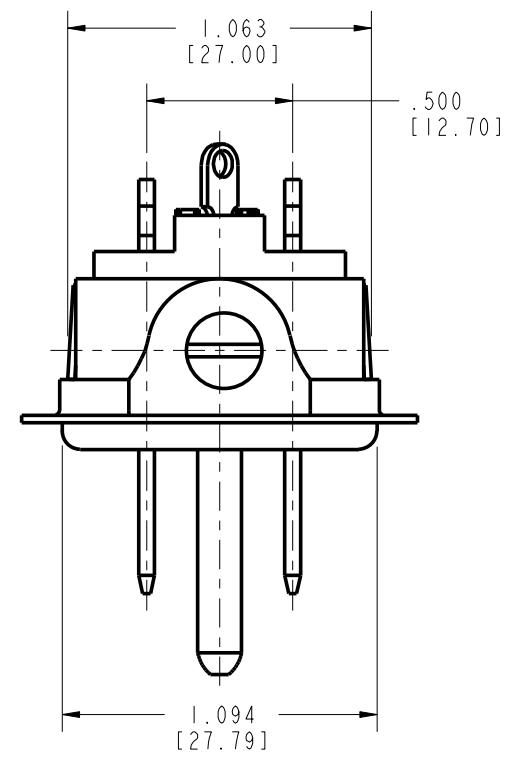


PART NUMBER	SIZE	L	M	A	FACTORY NUMBER
P-2404H-SB	4	1.938 [49.23]	1.500 [38.10]	1.250 [31.75]	703 03 04 005
P-2406H-SB	6	2.375 [60.33]	1.938 [49.23]	1.688 [42.88]	703 03 06 005
P-2408H-SB	8	2.813 [71.45]	2.375 [60.33]	2.125 [53.98]	703 03 08 005
P-2410H-SB	10	3.250 [82.55]	2.813 [71.45]	2.563 [65.10]	703 03 10 005
P-2412H-SB	12	3.688 [93.68]	3.250 [82.55]	3.000 [76.20]	703 03 12 005



DRAWING REVISIONS			
REV	DOCUMENT	APP	DATE
1	DO 06-1068		

NOTES:

1. SPECIFICATIONS:

ELECTRICAL:
 OPERATING VOLTAGE: 250 VAC RMS
 CURRENT RATING: 15 AMPS
 CURRENT RESISTANCE: 1.0 MILLIOHMS MAXIMUM

INSULATOR: MOLDED MONBLOCK, GENERAL PURPOSE PHENOLIC, BLACK

CONTACT: BRASS, MATTE TIN

SCREW: STEEL, ZINC WITH CLEAR TRIVALENT CHROME

BRACKET: BLACK CRINKLE

ENVIRONMENTAL:
 OPERATING TEMPERATURE: UP TO +105°C

TERMINATION: SOLDER

2. DIMENSIONS IN [] ARE MILLIMETERS

3. ALL DIMENSIONS ARE REFERENCE

RoHS COMPLIANT

UNITS ENGLISH INCHES		PRO/E		Cinch		MODELED BY: JIMENEZ	
DO NOT SCALE DRAWING		DRAWN BY JIMENEZ	DATE 7/31/06	TITLE PLUG AND SHALLOW BRACKET ASSEMBLY		1700 FINLEY RD LOMBARD, IL. 60148	
UNLESS OTHERWISE SPECIFIED: ALL DIMENSIONS ARE IN INCHES		DESIGN ENGINEER A. BALI	7/31/06	MATERIAL		CONTROL SPEC NUMBER 06-1068	
FILLET/RADII .02 MAX		DESIGN ENGINEERING MGR.		MATERIAL SPEC NUMBER	FINISH	PROJECT NUMBER C14789-2	
TOLERANCES XX ± .01 .XXX ± .005 ANGULAR ± .5°		MFG. ENGINEERING		CAD FILE NUMBER P2404HSB	DRAWING NUMBER P-2404H-SB		
THIS DOCUMENT IS THE PROPERTY OF CINCH. NEITHER THIS DOCUMENT NOR ANY OF THE INFORMATION CONTAINED IN IT MAY BE DUPLICATED OR DISCLOSED WITHOUT PRIOR WRITTEN CONSENT OF CINCH.		QUALITY ASSURANCE		CAGE IDENT NO. SIZE 71785 B	SCALE 1.000	SHEET 1 OF 1	