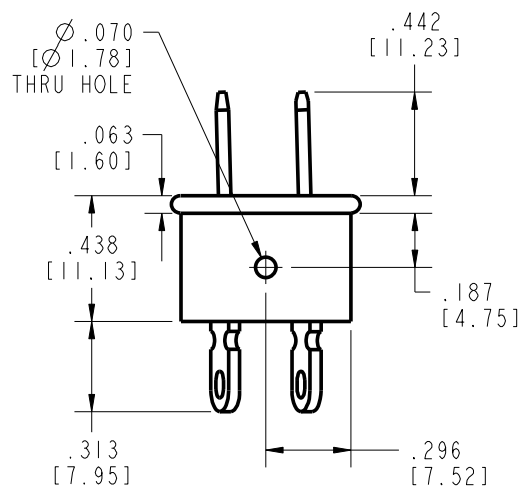
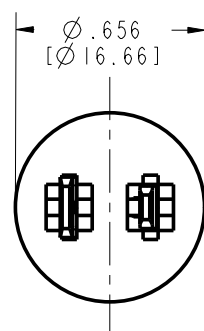


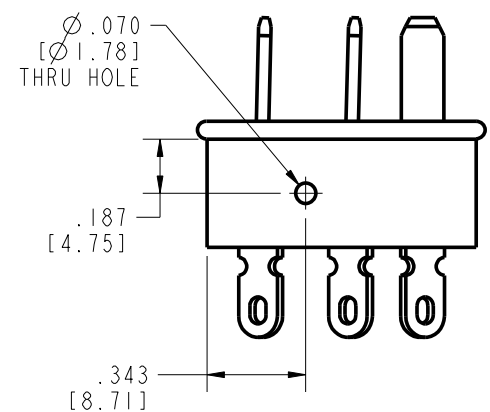
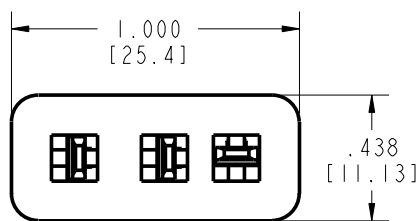
DRAWING REVISIONS

REV	DOCUMENT	APP	DATE
1	DO 06-1067		

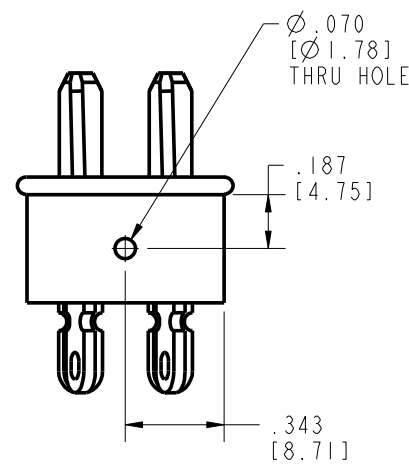
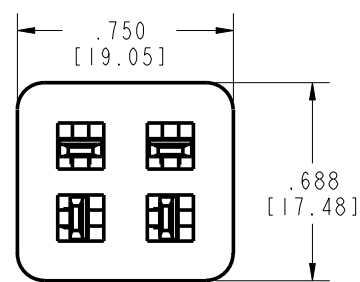
TYPE 1



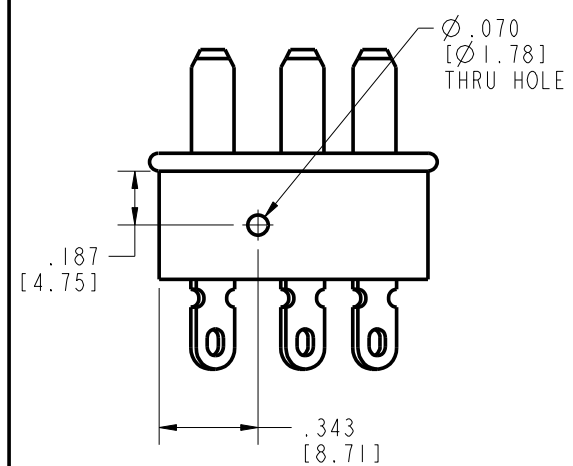
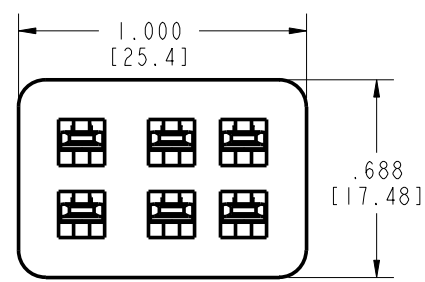
TYPE 2



TYPE 3



TYPE 4



PART NUMBER	TYPE	FACTORY NUMBER
P-302H-LAB	1	703 01 02 000
P-303H-LAB	2	703 01 03 000
P-304H-LAB	3	703 01 04 000
P-306H-LAB	4	703 01 06 000

NOTES:

1. SPECIFICATIONS:

ELECTRICAL:
 OPERATING VOLTAGE: 250 VAC RMS
 CURRENT RATING: 10 AMPS
 CONTACT RESISTANCE: 16 MILLIOHMS MAX

INSULATOR: GENERAL PURPOSE PHENOLIC, BLACK

CONTACT: BRASS, MATTE TIN

ENVIRONMENTAL:
 OPERATING TEMPERATURE: UP TO +105°C

TERMINATION: SOLDER

2. DIMENSIONS IN [] ARE IN MILLIMETERS

3. ALL DIMENSIONS ARE REFERENCE

RoHS COMPLIANT

UNITS ENGLISH INCHES		PRO/E		Cinch		MODELED BY: JIMENEZ	
DO NOT SCALE DRAWING		DRAWN BY JIMENEZ	DATE 6/20/06	TITLE PLUG ASSEMBLY LESS ANGLE BRACKET			
UNLESS OTHERWISE SPECIFIED: ALL DIMENSIONS ARE IN INCHES		DESIGN ENGINEER A. BALI	DATE 6/20/06	MATERIAL		CONTROL SPEC NUMBER 06-1067	
FILLET/RADII .02 MAX		DESIGN ENGINEERING MGR.		MATERIAL SPEC NUMBER		PROJECT NUMBER C14789-1	
TOLERANCES ± .01 ± .005 ANGULAR ± .5°		MFG. ENGINEERING		CAD FILE NUMBER P302LAB		DRAWING NUMBER P-302-LAB	
THIS DOCUMENT IS THE PROPERTY OF CINCH. NEITHER THIS DOCUMENT NOR ANY OF THE INFORMATION CONTAINED IN IT MAY BE DUPLICATED OR DISCLOSED WITHOUT PRIOR WRITTEN CONSENT OF CINCH.		QUALITY ASSURANCE		CAGE IDENT NO. SIZE 71785 B		SCALE 1:1	
				SHEET 1 OF 1			