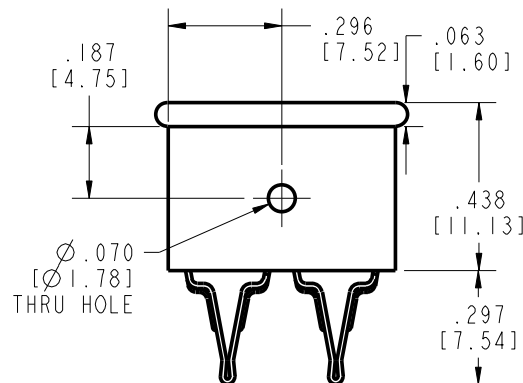
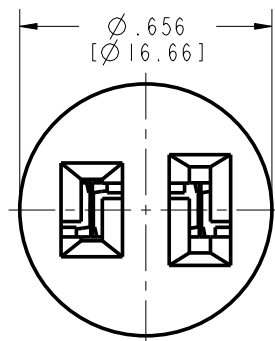


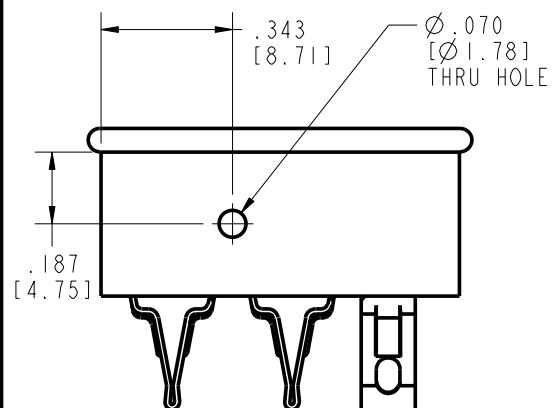
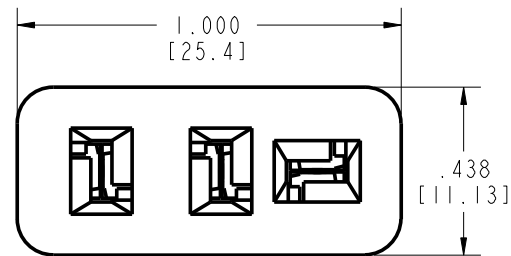
DRAWING REVISIONS

REV	DOCUMENT	APP	DATE
1	DO 06-1067		

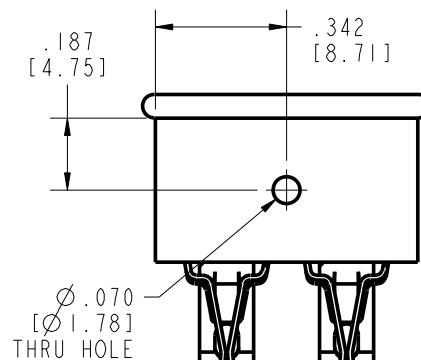
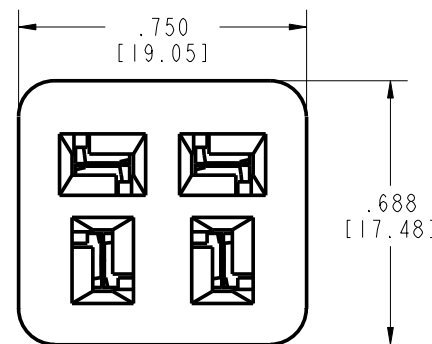
TYPE 1



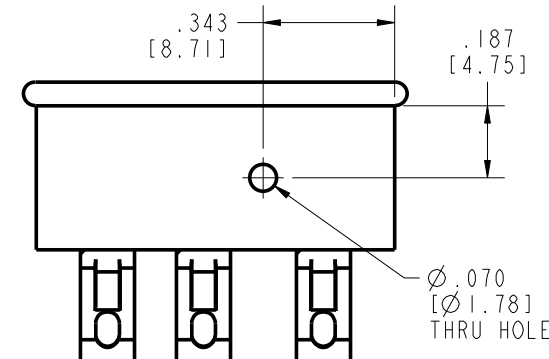
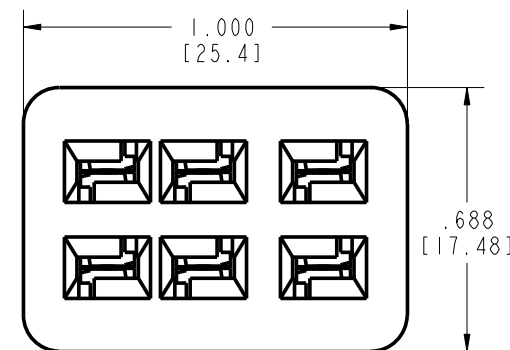
TYPE 2



TYPE 3



TYPE 4



PART NUMBER	TYPE	FACTORY NUMBER
S-302H-LAB	1	703 02 02 000
S-303H-LAB	2	703 02 03 000
S-304H-LAB	3	703 02 04 000
S-306H-LAB	4	703 02 06 000

NOTES:

1. SPECIFICATIONS:

ELECTRICAL:  
 OPERATING VOLTAGE: 250 VAC RMS  
 CURRENT RATING: 10 AMPS  
 CONTACT RESISTANCE: 16 MILLIOHMS MAX

INSULATOR: GENERAL PURPOSE PHENOLIC, BLACK

CONTACT: BRASS, MATTE TIN

ENVIRONMENTAL:  
 OPERATING TEMPERATURE: UP TO +105°C

TERMINATION: SOLDER

2. DIMENSIONS IN [ ] ARE IN MILLIMETERS

3. ALL DIMENSIONS ARE REFERENCE

RoHS COMPLIANT

MODELED BY:  
JIMENEZ

UNITS <b>ENGLISH INCHES</b>	PRO/E	Cinch		1700 FINLEY RD LOMBARD, IL. 60148
DO NOT SCALE DRAWING	DRAWN BY JIMENEZ	DATE 6/20/06	TITLE SOCKET ASSEMBLY LESS ANGLE BRACKET	
UNLESS OTHERWISE SPECIFIED: ALL DIMENSIONS ARE IN INCHES FILLET/RADII .02 MAX	DESIGN ENGINEER A. BALI	6/20/06	CONTROL SPEC NUMBER 06-1067	
	DESIGN ENGINEERING MGR.		MATERIAL SPEC NUMBER	PROJECT NUMBER C14789-1
TOLERANCES ± .01 .XXX ± .005 ANGULAR ± .5°	MFG. ENGINEERING	CAD FILE NUMBER S302HLAB	DRAWING NUMBER <b>S-302H-LAB</b>	
	QUALITY ASSURANCE	CAGE IDENT NO. SIZE <b>71785 B</b>	SCALE 1:1	SHEET 1 OF 1