

8

7

6

5

4

3

2

1

CINCH PART NUMBER MATRIX

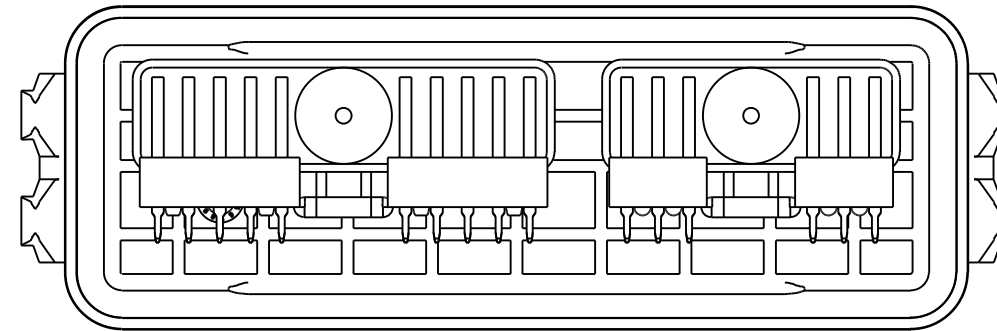
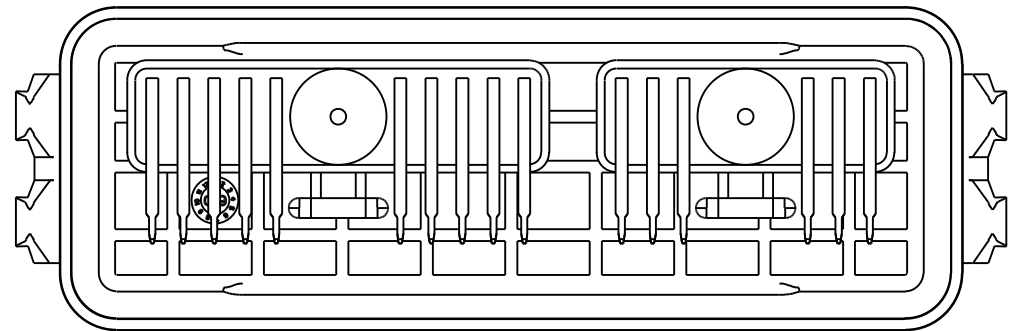
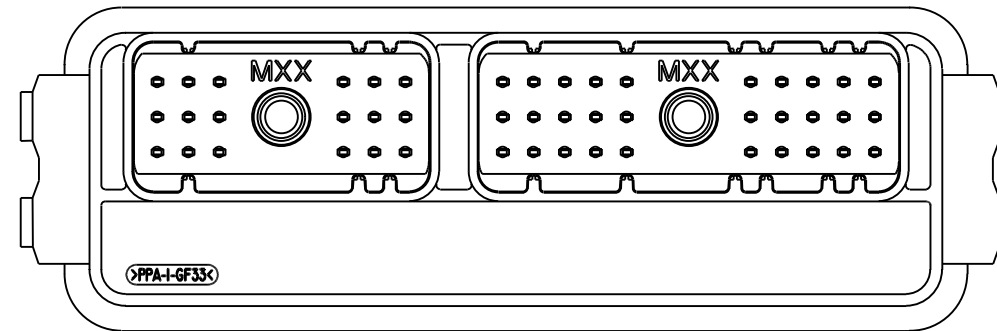
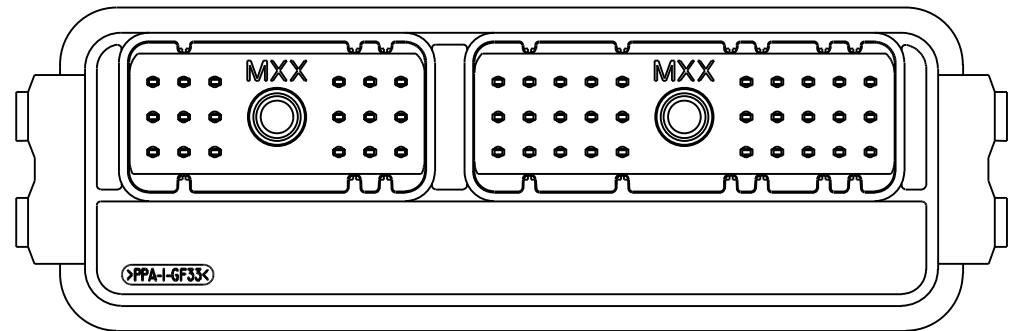
DRAWING REVISIONS (RELEASE DATE ON FILE)			
REV	DOCUMENT	APP	APPROVAL DATE
A	CO 1537	A.E.	6/1/11

P/N: 5810148009

P/N: 5810148010

48-WAY HEADER ASSEMBLY WITHOUT FERRITE FILTERS

48-WAY HEADER ASSEMBLY WITH FERRITE FILTERS



MATES WITH CINCH HARNESS CONNECTORS
 P/N: 5810118023 (18-WAY) AND 5810130029 (30-WAY)

NOTES:

- ALL DIMENSIONS ARE IN INCHES; DIMENSIONS INSIDE [.XX] ARE IN mm, AS REFERENCE ONLY
- MATERIALS:
 INTERFACE SEALS: SILICONE RUBBER, COLOR BLUE
 INSULATOR: 30% GLASS FILLED POLYMER, COLOR BLACK
 BUSHINGS: BRASS ALLOY, UNPLATED 10-24 UNC THREAD
 TERMINAL BLADES: 1.5 mm BRASS WITH TIN OVER NICKEL PLATING
 FILTERS: FERRITE BLOCKS
- ALL HEADERS ARE REFLOW OR WAVE SOLDERING PROCESS, ROHS COMPLIANT
- SUGGESTED PCB THICKNESS: .062 [1.57]
- IF USING FERRITE FILTER VERSION, TRACES SHOULD BE AVOIDED UNDER THE FERRITE SPACER FEET. SEE "PCB TOP SIDE PIN AREA WITH FERRITES DETAIL" - PAGE 3.
- MATES WITH CINCH SHS PUSH-TO-SEAT HARNESS CONNECTORS (SEE TABLE ABOVE)
- TORQUE MATING CONNECTOR SCREW TO 15 - 20 IN*LBS [1.70 - 2.26 N*m]

UNITS ENGLISH INCHES		PRO/E		CINCH		MODELED BY: A. ECKHART	
DO NOT SCALE DRAWING		DESIGN ENGINEER A. ECKHART	DATE 4/3/09	TITLE 48-WAY HEADERS MODICE ME		1700 FINLEY RD LOMBARD, IL. 60148	
CONFIDENTIAL THIS DOCUMENT IS THE PROPERTY OF CINCH. NEITHER THIS DOCUMENT NOR ANY OF THE INFORMATION CONTAINED IN IT MAY BE DUPLICATED OR DISCLOSED WITHOUT PRIOR WRITTEN CONSENT OF CINCH. ©COPYRIGHT 2009 CINCH		APPROVALS ON FILE		MATERIAL SEE NOTES		CONTROL SPEC NUMBER	
				MATERIAL SPEC NUMBER		PROJECT NUMBER A14926	
CAD FILE NUMBER 5810148009S		DRAWING NUMBER 5810148009S		CAGE IDENT NO. 71785		SIZE B	
				SCALE 1:1		SHEET 1 OF 3	

8

7

6

5

4

3

2

1

8 7 6 5 4 3 2 1

D

C

B

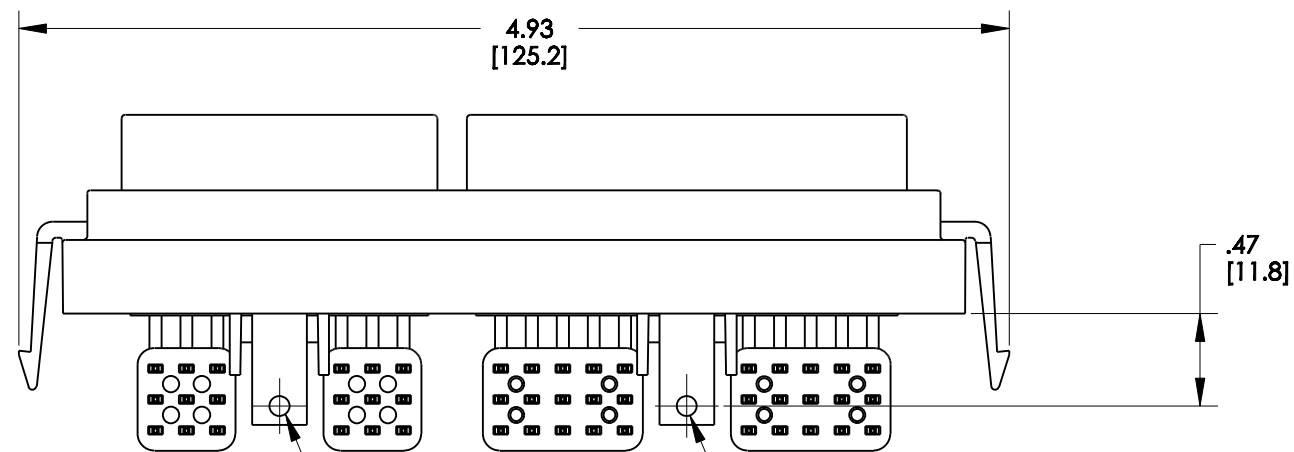
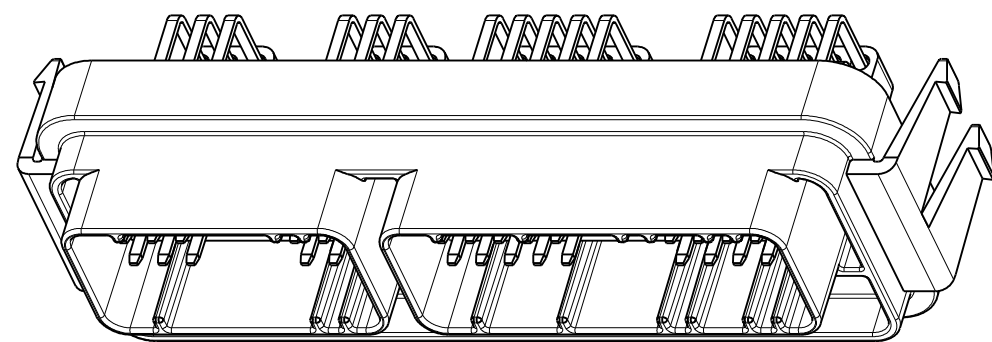
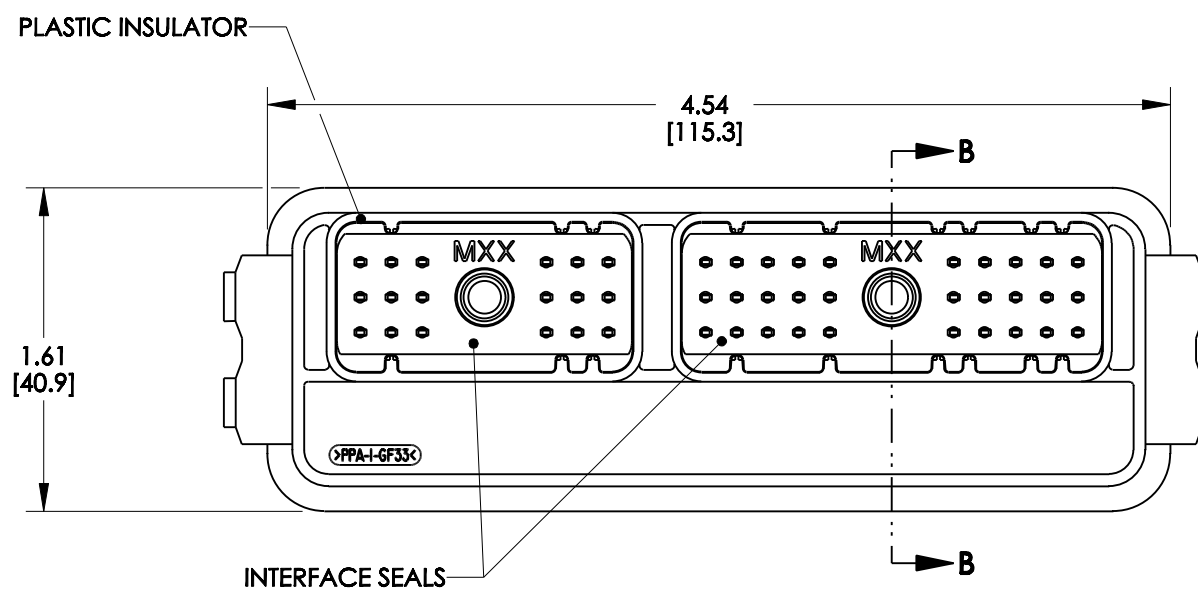
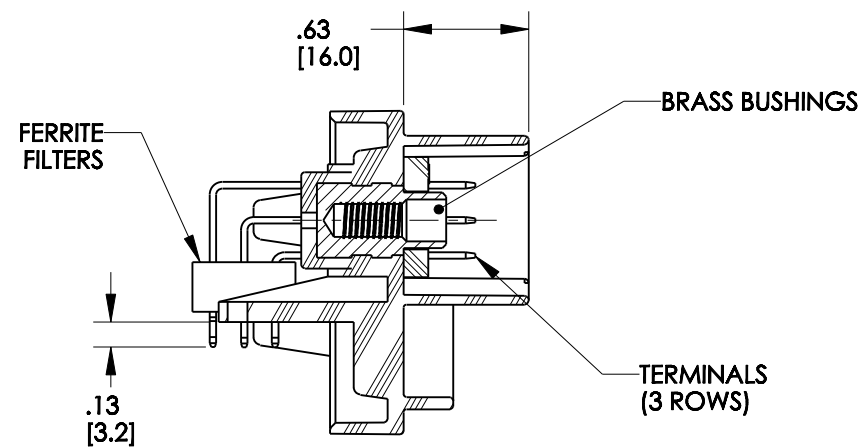
A

D

C

B

A



FOR PCB MOUNTING, #4 THREAD CUTTING SCREWS (TYPE 23 OR SIMILAR) ARE RECOMMENDED; TORQUE TO 2-3 IN*LBS [0.23-0.34Nm]

**CINCH P/N: 5810148010 SHOWN
(HEADER WITH FILTERS)**

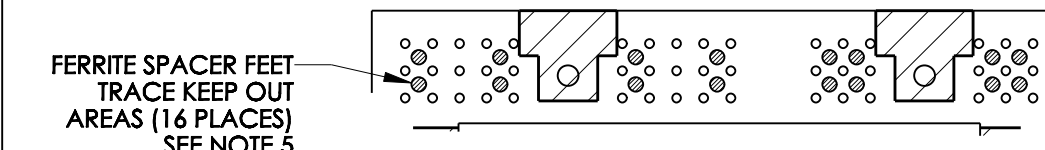
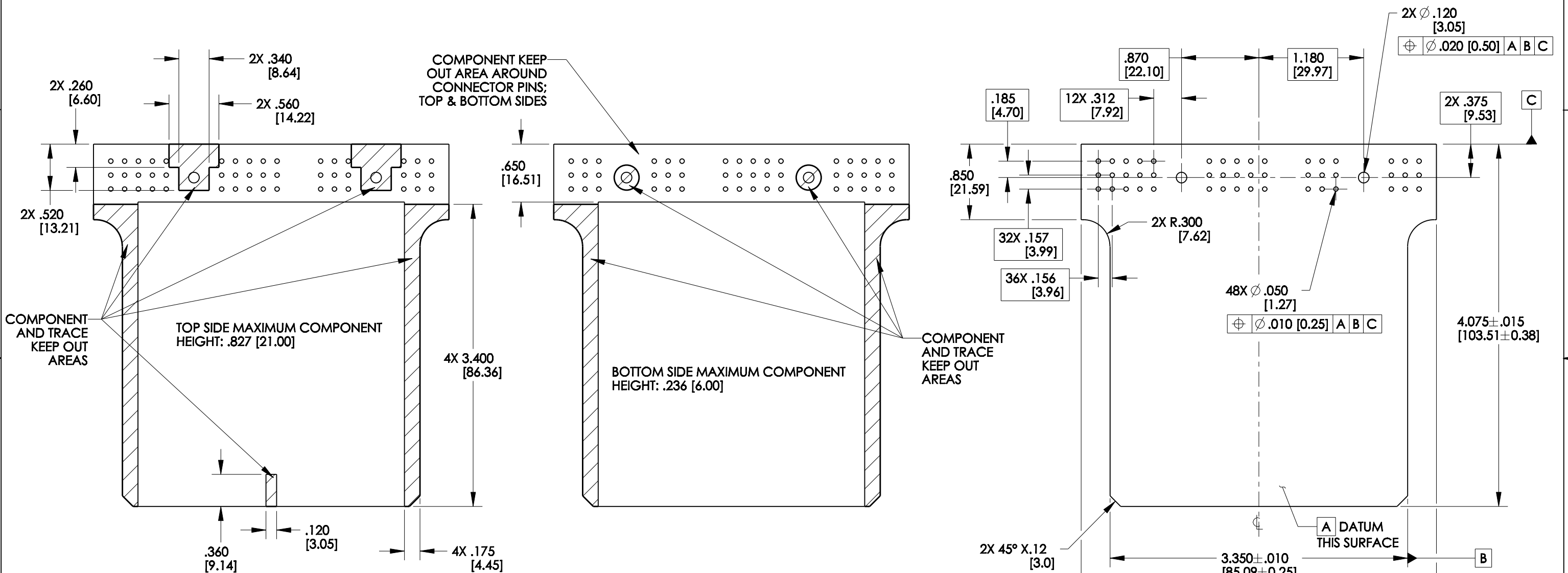
UNITS ENGLISH INCHES		CINCH		1700 FINLEY RD LOMBARD, IL. 60148	
DO NOT SCALE DRAWING		TITLE 48-WAY HEADERS MODICE ME			
		PRO/E DRAWING			
CONFIDENTIAL THIS DOCUMENT IS THE PROPERTY OF CINCH. NEITHER THIS DOCUMENT NOR ANY OF THE INFORMATION CONTAINED IN IT MAY BE DUPLICATED OR DISCLOSED WITHOUT PRIOR WRITTEN CONSENT OF CINCH. ©COPYRIGHT 2009 CINCH		CAD FILE NUMBER 5810148009S	DRAWING NUMBER 5810148009S		REV A
CAGE IDENT NO. 71785	SIZE B	SCALE 1:1	SHEET 2 OF 3		

8 7 6 5 4 3 2 1

PCB TOP SIDE GENERAL ZONING AND KEEP-OUT AREAS

PCB BOTTOM SIDE GENERAL ZONING AND KEEP-OUT AREAS

PCB OVERALL DIMENSIONS AND HOLE LOCATIONS



PCB TOP SIDE PIN AREA WITH FERRITES DETAIL

UNITS ENGLISH INCHES	CINCH		1700 FINLEY RD LOMBARD, IL. 60148
DO NOT SCALE DRAWING	TITLE 48-WAY HEADERS MODICE ME		
	PRO/E DRAWING		
<small>CONFIDENTIAL</small> <small>THIS DOCUMENT IS THE PROPERTY OF CINCH. NEITHER THIS DOCUMENT NOR ANY OF THE INFORMATION CONTAINED IN IT MAY BE DUPLICATED OR DISCLOSED WITHOUT PRIOR WRITTEN CONSENT OF CINCH. ©COPYRIGHT 2009 CINCH</small>	CAD FILE NUMBER 5810148009S	DRAWING NUMBER 5810148009S	REV A
	CAGE IDENT NO. 71785	SIZE B	SCALE 7:8
		SHEET 3 OF 3	