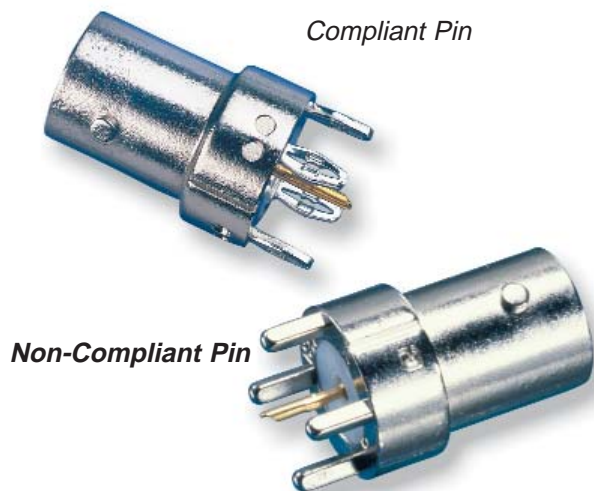


Press-Fit BNC Coaxial Connector *Board-Mount Receptacle for 75 Ohms Applications*

This unique press-fit connector design allows for multiple insertions into a backplane without loss of mechanical retention or electrical performance. It is designed to eliminate the costly soldering operation and to automate the insertion process.



Features

- Press-fit installation
- Strong, one-piece cast body
- Standard BNC interface
- Multi position Insertion Tool is available

Mechanical*

- Insertion force: < 500 lbs. max.
- Removal force: 100 lbs. min.
- P.C. board thickness .250"

Materials

Body: Diecast Zinc

Plating: Nickel, 150 micro-inches min. over copper, 200 micro-inches min.

Center Contact: Beryllium copper

Plating: Gold, 30 micro-inches min. over nickel, 50 micro-inches min.

Insulator: Teflon (PTFE)

Electrical

Impedance: 75 Ohms

Frequency Range: 0 to 4 Ghz

RF leakage: > -55 dB

Insertion loss: .3 dB max.* @ 2 Ghz; .2 dB max @2 Ghz

VSWR: 1.20*; 1.024

Working Voltage: ≤ 500 Vrms @ sea level

Insulation Resistance: ≥ 5000 MOhms @ 500 VDC

* Refers to compliant pin connector only.

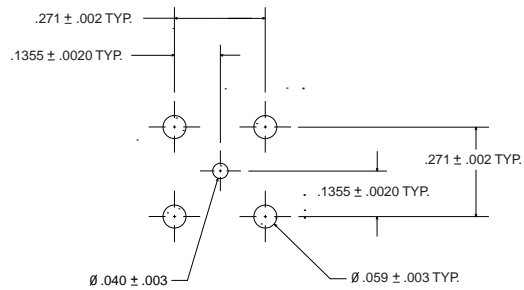
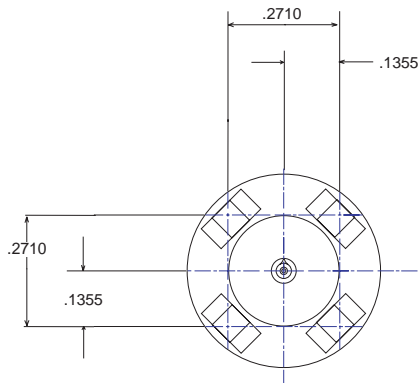
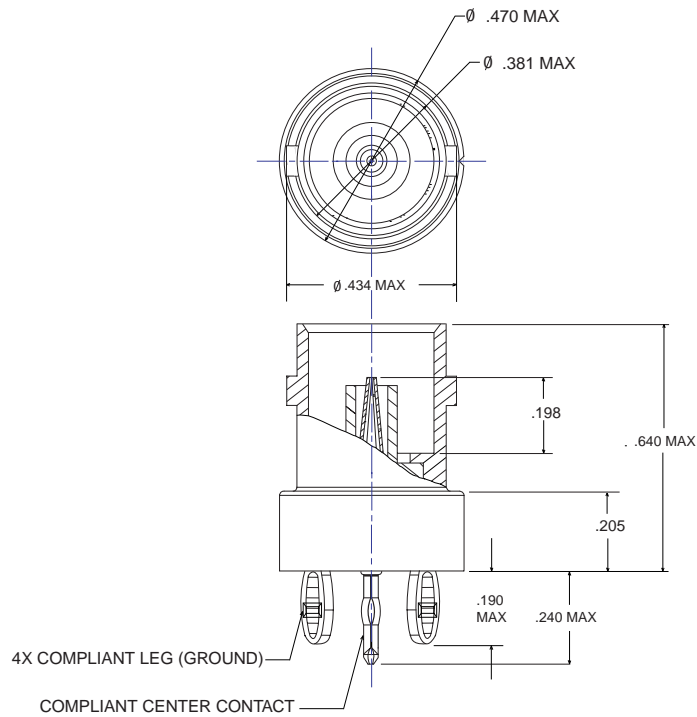


Cinch Connectors, Inc.
1700 Finley Road
Lombard, IL 60148-4890

630.705.6000
www.cinch.com

Press-Fit BNC Connector with Compliant Pins

Drawings for non-compliant version available. Call your local Sales Representative.



RECOMMENDED PC BOARD HOLE PATTERN

Ordering Information

<u>Order Number:</u>	<u>Type</u>	<u>Standard Package</u>
299 99 00 134	Compliant	Anti-Static Tube
299 99 00 156	Non-Compliant Pin	Anti-Static Tube

For ordering information relating to our Press-fit BNC Connectors, contact our Customer Service Department at 1-630-705-6000 or consult our website at www.cinch.com.



Cinch Connectors, Inc.
1700 Finley Road
Lombard, IL 60148-4890

630.705.6000
www.cinch.com