

Cinch ZTX™ Advanced Mezzanine Card Connector

**The Performance Advantages of Compression in a
Reliable One-Piece Contact Design**

Technology

The Cinch ZTX™ AMC Connector is a compression style mezzanine connector solution which provides superior performance for standard ATCA platform blades. It meets or exceeds the latest PICMG ATCA specification, AMC.0 Rev 2, which requires support for data transmissions of up to 12.5 Gbps per channel. The connector features highly reliable one-piece stamped contacts, providing seamless carrier board to mezzanine card paths for long-term robust performance. The captured individual contacts are designed to provide a low insertion force, with support for wide board planarities and multiple card insertions.



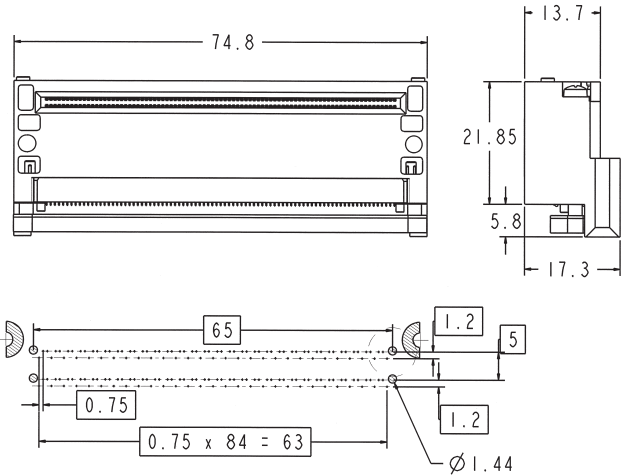
Features and Benefits

- Fully compliant with PICMG AMC.0 Revisions 1 & 2, and footprint compatible with other compression style AMC connectors
- Highly reliable one-piece contact design for long-term robust performance
- Connector provides contact wipe to the carrier board for a reliable first-time mate
- Compression design delivers superior electrical performance with excellent far-end cross-talk (<1%) supporting 12.5+ Gbps per channel
- Compression style connector enables simplified routing and reduced stub-effects and reflections
- Solderless connector attachment allows for easy connector removal or rework
- Unique contact plating minimizes abrasions to the mezzanine card contacts
- Supports >200 mezzanine card mating cycles with a low insertion force of <80N
- Support for carrier boards with up to 0.007" total planarity
- Compression screws and board bolster plate included

ZTX™ AMC Connector

Cinch ZTX™ AMC Connector*

Signal Integrity	
Insertion Loss	0.8 dB @ 8GHz 2.0 dB @ 12GHz
Return Loss	27.0 dB @ 5GHz 13.0 dB @ 8GHz
Impedance	100 ± 7 Ohm
Differential Far-End Cross Talk	
Driven by two adjacent active pairs	0.5%
Driven by single active pair on the Extended side to a differential pair on the Basic side	0.2%
Mechanical	
Insertion Force	77N
Mating Cycles	>200



* Expected values. Actual results may vary.
Contact Cinch for complete performance information.



Description	Part Numbers
170 position Type B+ Mezzanine Connector with compression hardware and bolster plate	299-99-00-728

For More Information

For additional questions or information please contact the Cinch product team at (800) 323-9612 or by e-mail at amc@cinch.com