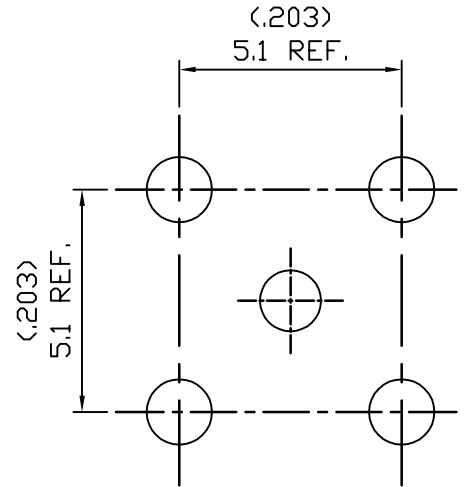
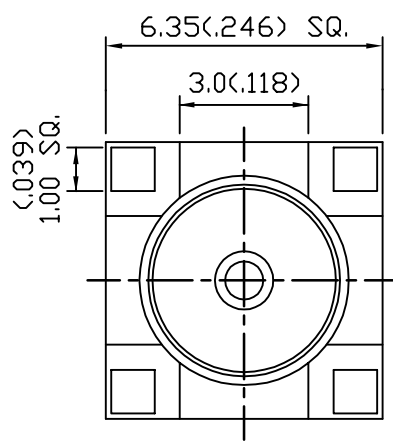
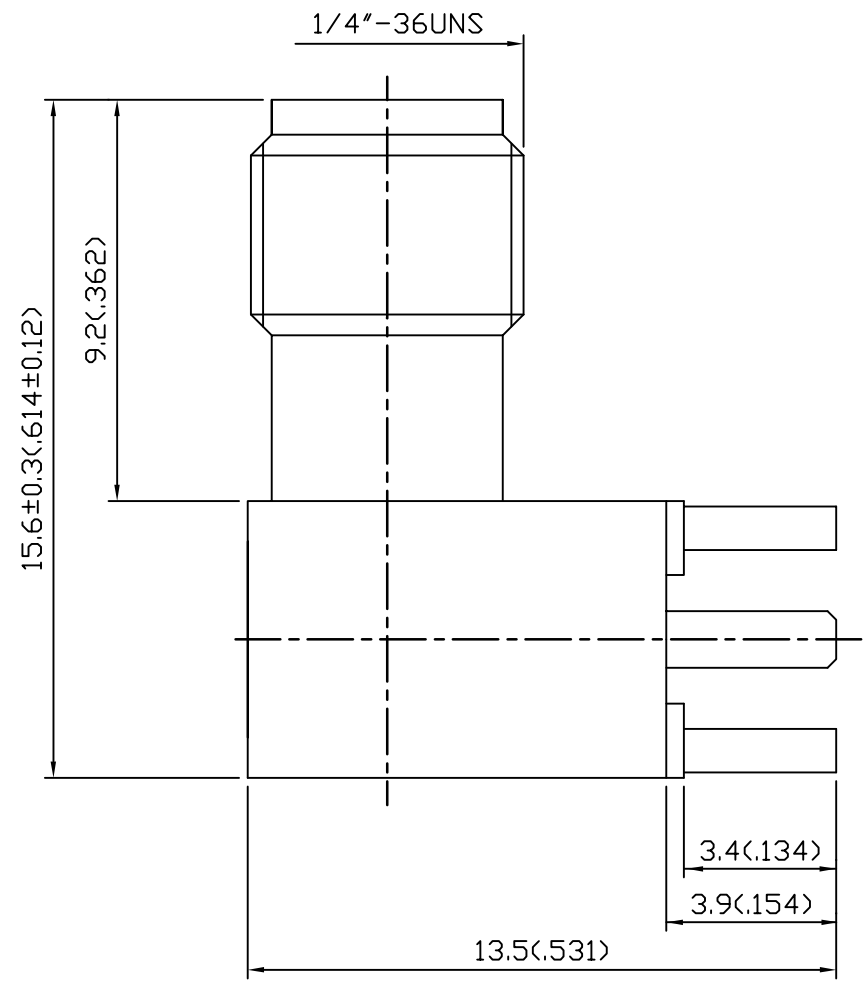


| DRAWING REVISIONS |          |     |      |
|-------------------|----------|-----|------|
| REV               | DOCUMENT | APP | DATE |
| 1                 | PRELIM.  |     |      |



MOUNTING HOLE  
 (1) Ø1.4(.055) MIN.  
 (4) Ø1.5(.059) MIN.

NOTES:  
 1. SPECIFICATIONS:  
 MATERIALS:

BODY, CHASSIS AND CAP: BRASS  
 PLATING: GOLD 3 MICRO INCHES MIN.  
 CENTER CONTACT: Be Cu  
 PLATING: GOLD 50 MICRO INCHES MIN.  
 CENTER POST: BRASS  
 PLATING: GOLD 50 MICRO INCHES MIN.  
 INSULATOR: TEFLON

ELECTRICAL

IMPEDANCE: 50 Ohms  
 FREQUENCY RANGE: 0 TO 18 GHz  
 WORKING VOLTAGE: <=  
 INSULATION RESISTANCE: >= 5000 MOhms  
 CONTACT RESISTANCE:  
 CENTER CONTACT: 3 MILLI Ohms MAX.  
 OUTER CONTACT: 2 MILLI Ohms MAX.

MECHANICAL:

DURABILITY: 500 MATING CYCLES.  
 OPERATING TEMPERATURE: -65°C TO 165°C.  
 CONNECTOR INTERFACE PER MIL-STD-348A

2. ALL DIMENSIONS ARE IN MM AND DIMENSIONS IN ( ) ARE IN INCHES.

| CINCH PART NO. | CINCH CATALOG NO. |
|----------------|-------------------|
| 299 99 00 438  | SMA50-1401        |

|  |                           |                  |  |                                      |
|--|---------------------------|------------------|--|--------------------------------------|
| UNITS<br><b>METRIC</b>   |                           | <b>AUTOCAD</b>   | <b>Cinch</b>   | 1700 FINLEY RD<br>LOMBARD, IL. 60148 |
| DO NOT SCALE DRAWING   | DRAWN BY<br>A.BALI        | DATE<br>08/08/03 | TITLE<br>SMA SOCKET/JACK-R/A<br>BOARD MOUNT 50 Ohms. |                                      |
| UNLESS OTHERWISE SPECIFIED,<br>DIMENSIONS ARE IN MILLIMETERS   | DESIGN ENGINEER<br>A.BALI | 08/08/03         | MATERIAL<br>SEE NOTE                                 |                                      |
|  | DESIGN ENGINEERING MGR.   |                  | CONTROL SPEC NUMBER                                  |                                      |
| FILLET/RADII<br>0.50 MAX.  |                           |                  | MATERIAL SPEC NUMBER                                 | PROJECT NUMBER<br>C14526             |
| TOLERANCES AND<br>LIMITS APPLY OVER<br>ADDITIVE FINISH   |                           |                  | FINISH   |                                      |
| TOLERANCES<br>X ±2.5<br>XX ±0.25<br>XXX ±0.127<br>ANGULAR ±30°   | MFG. ENGINEERING          |                  | CAD FILE NUMBER<br>SMA50-1401                        | DRAWING NUMBER<br><b>SMA50-1401</b>  |
| THIS DOCUMENT IS THE PROPERTY<br>OF CINCH. NEITHER THIS DOCUMENT<br>NOR ANY OF THE INFORMATION<br>CONTAINED IN IT MAY BE DUPLICATED<br>OR DISCLOSED WITHOUT PRIOR<br>WRITTEN CONSENT OF CINCH. | QUALITY ASSURANCE         |                  | CAGE IDENT NO.<br>71785                              | SCALE<br>NTS                         |
|  |                           |                  | SIZE<br>B  | SHEET 1 OF 1                         |