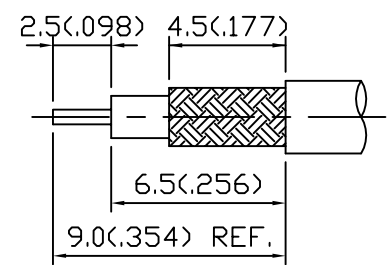
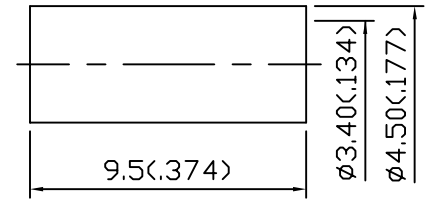
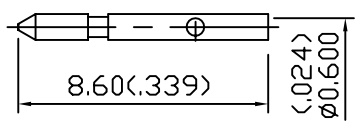
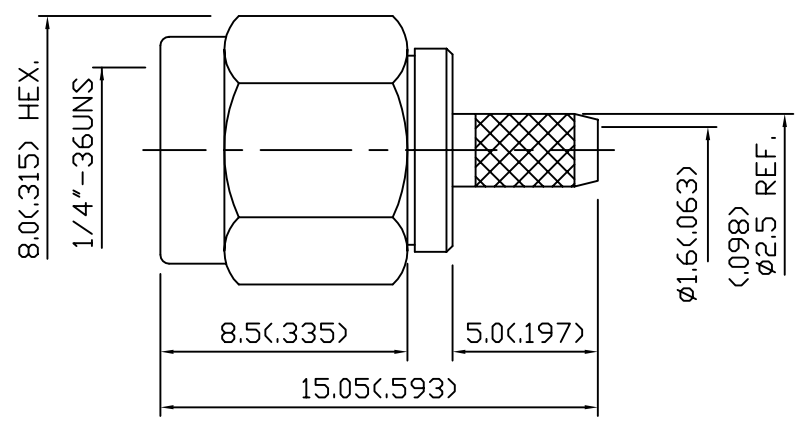


DRAWING REVISIONS			
REV	DOCUMENT	APP	DATE
2	PRELIM.		



STRIPPING DIM. REF.

NOTES:
 1. SPECIFICATIONS:
 MATERIALS:
 BODY, FERRULE AND SHELL: BRASS
 PLATING: GOLD 3 MICRO INCHES MIN.
 CENTER CONTACT: BRASS
 PLATING: GOLD 50 MICRO INCHES MIN.
 INSULATOR: TEFLON
 GASKET: SILICONE-RED
 WASHER: SST

ELECTRICAL

IMPEDANCE: 50 Ohms
 FREQUENCY RANGE: 0 TO 18 GHz
 WORKING VOLTAGE: <= 500V rms
 INSULATION RESISTANCE: >= 5000 MOhms
 CONTACT RESISTANCE:
 CENTER CONTACT: 3 MILLI Ohms MAX.
 OUTER CONTACT: 2 MILLI Ohms MAX.

MECHANICAL:

DURABILITY: 500 MATING CYCLES.
 OPERATING TEMPERATURE: -65°C TO 125°C.
 CONNECTOR INTERFACE PER MIL-STD-348A

2. ALL DIMENSIONS ARE IN MM AND DIMENSIONS IN () ARE IN INCHES.

CINCH PART NO.	CINCH CATALOG NO.
299 98 05 013	SMA50-4104

UNITS METRIC		AUTOCAD	Cinch	1700 FINLEY RD LOMBARD, IL. 60148
DO NOT SCALE DRAWING	DRAWN BY A.BALI	DATE 05/12/03	TITLE SMA PLUG/STRA CABLE(RD-316U) 50 Ohms.	
UNLESS OTHERWISE SPECIFIED, DIMENSIONS ARE IN MILLIMETERS	DESIGN ENGINEER A.BALI	05/12/03	MATERIAL SEE NOTE	CONTROL SPEC NUMBER
FILLET/RADIUS 0.50 MAX.	DESIGN ENGINEERING MGR.		MATERIAL SPEC NUMBER	FINISH
TOLERANCES AND LIMITS APPLY OVER ADDITIVE FINISH	MFG. ENGINEERING		CAD FILE NUMBER SMA50-4104	DRAWING NUMBER SMA50-4104
	QUALITY ASSURANCE		CAGE IDENT NO. 71785	SIZE B
THIS DOCUMENT IS THE PROPERTY OF CINCH. NEITHER THIS DOCUMENT NOR ANY OF THE INFORMATION CONTAINED IN IT MAY BE DUPLICATED OR DISCLOSED WITHOUT PRIOR WRITTEN CONSENT OF CINCH.			SCALE NTS	SHEET 1 OF 1