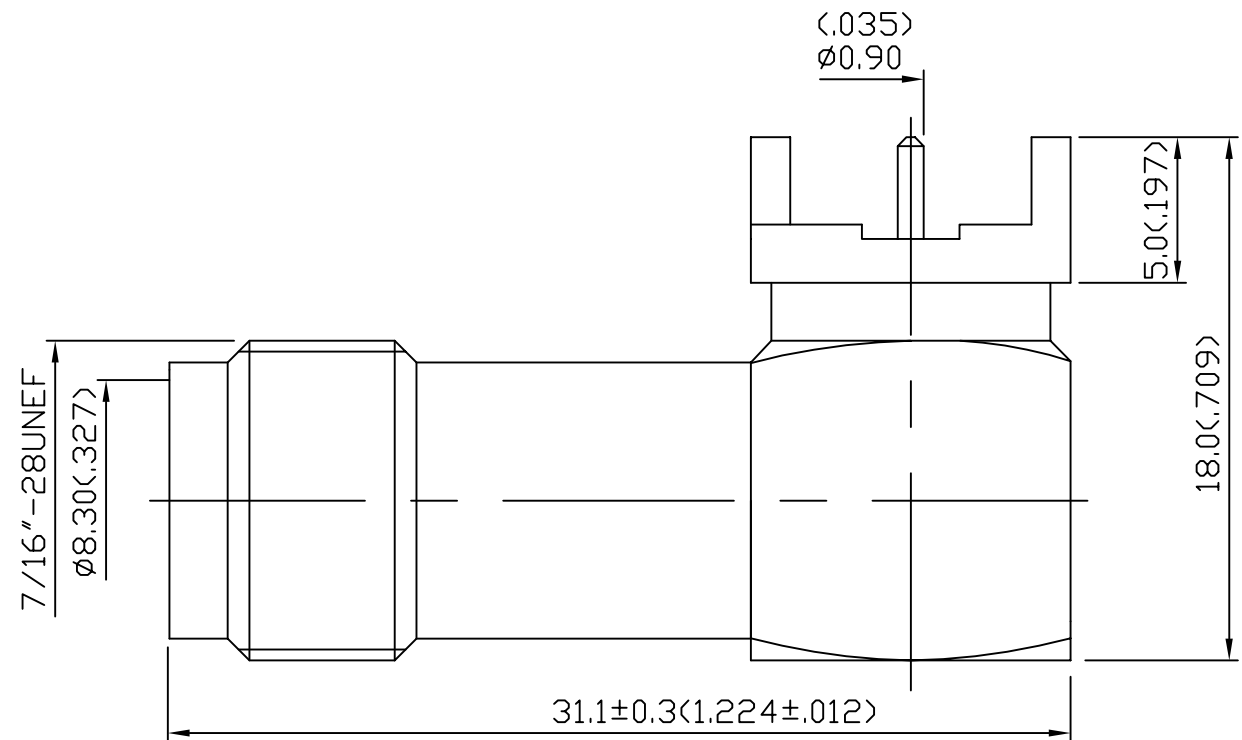
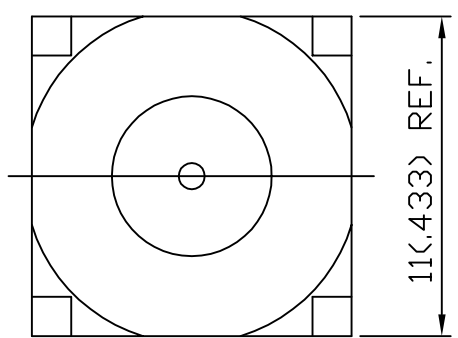


<4> $\phi 2(.079)$ MIN
 <1> $\phi 1.1(.043)$ MIN
 MOUNTING HOLE



DRAWING REVISIONS			
REV	DOCUMENT	APP	DATE
2	PRELIM.		

NOTES:

1. SPECIFICATIONS:
 MATERIALS:
 BODY & SLEEVE: BRASS
 PLATING: NICKEL 100 MICRO INCHES MIN.
 CENTER CONTACT: BRASS
 PLATING: GOLD FLASH MIN.
 INSULATOR: TEFLON

ELECTRICAL

IMPEDANCE: 50 Ohms
 FREQUENCY RANGE: 0 TO 4 GHz
 INSERTION LOSS: 0.2dB MAX.@ 1 GHz
 WORKING VOLTAGE: ≤ 500 V rms @ SEA LEVEL
 INSULATION RESISTANCE: ≥ 5000 MOhms
 CONTACT RESISTANCE:
 CENTER CONTACT: 1.5 MILLI Ohms MAX.
 OUTER CONTACT: 1.0 MILLI Ohms MAX.

MECHANICAL:

DURABILITY: 500 MATING CYCLES.
 OPERATING TEMPERATURE: -65°C TO 125°C .
 CONNECTOR INTERFACE PER MIL-STD-348A

2. ALL DIMENSIONS ARE IN MM AND DIMENSIONS IN () ARE IN INCHES.

CINCH PART NO.	CINCH CATLOG NO.
299 98 07 001	TNC50-1401

UNITS	METRIC	AUTOCAD	Cinch	
DO NOT SCALE DRAWING	UNLESS OTHERWISE SPECIFIED: DIMENSIONS ARE IN MILLIMETERS	DRAWN BY A.BALI	DATE 05/06/03	TITLE TNC RECEPTACLE-R/A BOARD MOUNT, 50 Ohms
FILLET/RADIUS 0.50 MAX.	TOLERANCES X ± 2.5 XX ± 0.25 XXX ± 0.127 ANGULAR $\pm 0.5^{\circ}$	DESIGN ENGINEER A.BALI	DATE 05/06/03	MATERIAL SEE NOTE
THIS DOCUMENT IS THE PROPERTY OF CINCH. NEITHER THIS DOCUMENT NOR ANY OF THE INFORMATION CONTAINED IN IT MAY BE DUPLICATED OR DISCLOSED WITHOUT PRIOR WRITTEN CONSENT OF CINCH.		DESIGN ENGINEERING MGR.	MFG. ENGINEERING	CONTROL SPEC NUMBER C14526
		QUALITY ASSURANCE	CAD FILE NUMBER TNC50-1401	PROJECT NUMBER C14526
			CAGE IDENT NO. 71785	DRAWING NUMBER TNC50-1401
			SIZE B	SCALE 4:1
				SHEET OF 1

