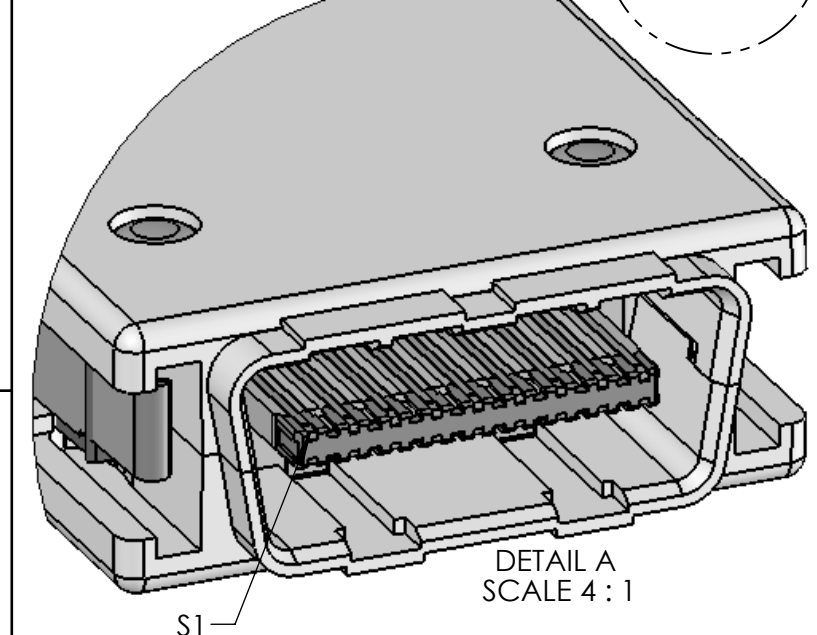
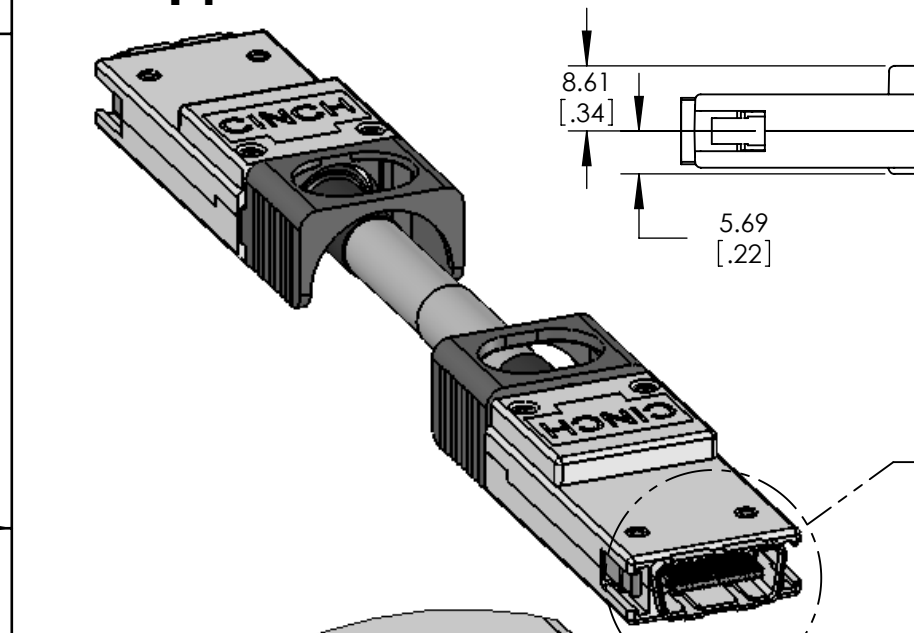


DRAWING REVISIONS			
REV	DOCUMENT	APP	DATE
1	08 - 1093	VS	11/17/08



TOLERANCE TABLE	
"L" LENGHT	TOLERANCE
UP TO 1M	±40.0mm
1M TO 10M	±70.0mm OF "L"
GREATER THAN 10M	±100mm OF "L"

STANDARD PART NUMBERS CONSULT FACTORY FOR CUSTOM CONFIGURATIONS AND LENGTH	
26 AWG CABLE	
"L" Meters	Part Number
0.5	717 01 00 220
1	717 01 00 221
2	717 01 00 222
3	717 01 00 223
5	717 01 00 225
7	717 01 00 227
8	717 01 00 228
10	717 01 00 230

NOTES:

CABLE SPECIFICATIONS:
TWINAX; FULLY SHIELDED DIFFERENTIAL PAIRS, 26 AWG; UL STYLE CL2 OR CM. CHARACTERISTIC IMPEDANCE: 100. +/- 5 OHMS.

PLUG MATERIALS:
CONTACTS - COPPER ALLOY; GOLD PLATED OVER NICKEL.
SHELL - ZINC DIE CAST; NICKEL PLATED OVER COPPER.
LATCH MECHANISM - THERMOPLASTIC AND NICKEL ALLOY.
CONNECTOR HOUSING - HIGH TEMPERATURE THERMOPLASTIC UL94V-0.

MECHANICAL PERFORMANCE:
LATCH RETENTION FORCE - 75 N (16.9 LBS) MIN.
DURABILITY - 250 CYCLES

ENVIRONMENT:
OPERATING TEMPERATURE RANGE: -20°C to 75°C.

PERFORMANCE:
DIRECT ATTACH CABLE ASSEMBLY MEETS InfiniBand™ REQUIREMENTS FOR HIGH SPEED DATA TRANSFERS AND SFF 8470

DIMENSIONS IN [] ARE IN INCHES.

RoHS COMPLIANT

METRIC		Solidworks		Cinch	
DO NOT SCALE DRAWING		DRAWN BY	DATE	TITLE	
UNLESS OTHERWISE SPECIFIED: ALL DIMENSIONS ARE IN MILLIMETERS FILLET/RADII 0.50 MAX		E. MARIANO	11/17/08	STANDARD 4X 26 AWG BELLY TO BELLY STR LATCH TO STR LATCH CABLE ASSEMBLY	
TOLERANCES AND LIMITS APPLY OVER ADDITIVE FINISH		DESIGN ENGINEER	XX/XX/XX	MATERIAL	CONTROL SPEC NUMBER
TOLERANCES X ± .3 XX ± .13 XXX ± .025 ANGULAR ± .5°		DESIGN ENGINEERING MGR.	XX/XX/XX	MATERIAL SPEC NUMBER	PROJECT NUMBER
THIS DOCUMENT IS THE PROPERTY OF CINCH. NEITHER THIS DOCUMENT NOR ANY OF THE INFORMATION CONTAINED IN IT MAY BE DUPLICATED OR DISCLOSED WITHOUT PRIOR WRITTEN CONSENT OF CINCH.		MFG. ENGINEERING	XX/XX/XX	CAD FILE NUMBER	DRAWING NUMBER
		QUALITY ASSURANCE	XX/XX/XX	717 01 00 220S	717 01 00 220S
				CAGE IDENT NO.	SCALE
				71785	1:1
				SIZE	SHEET 1 OF 1
				B	

MODELED BY:
E. MARIANO
1700 FINLEY RD
LOMBARD, IL. 60148