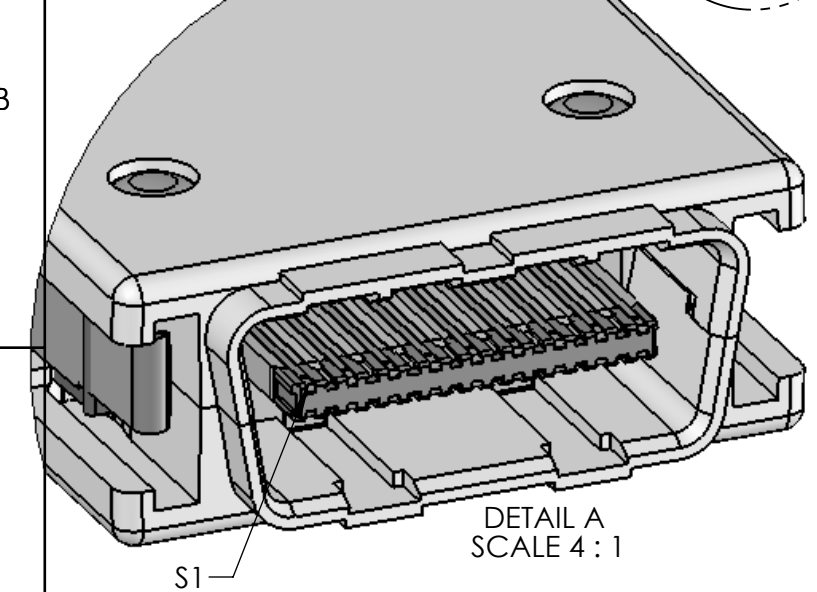
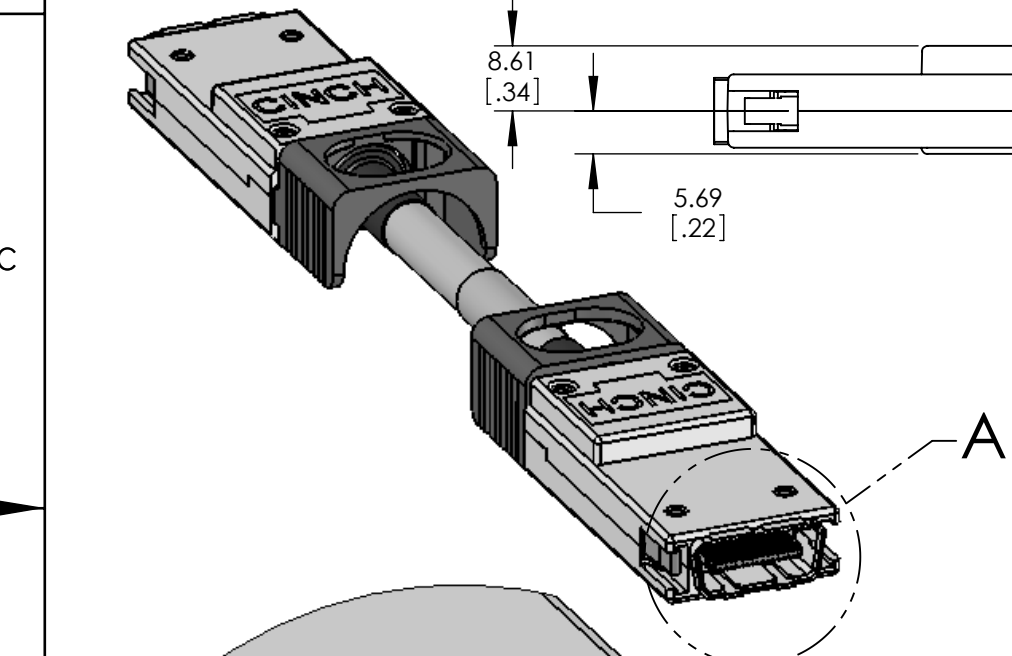
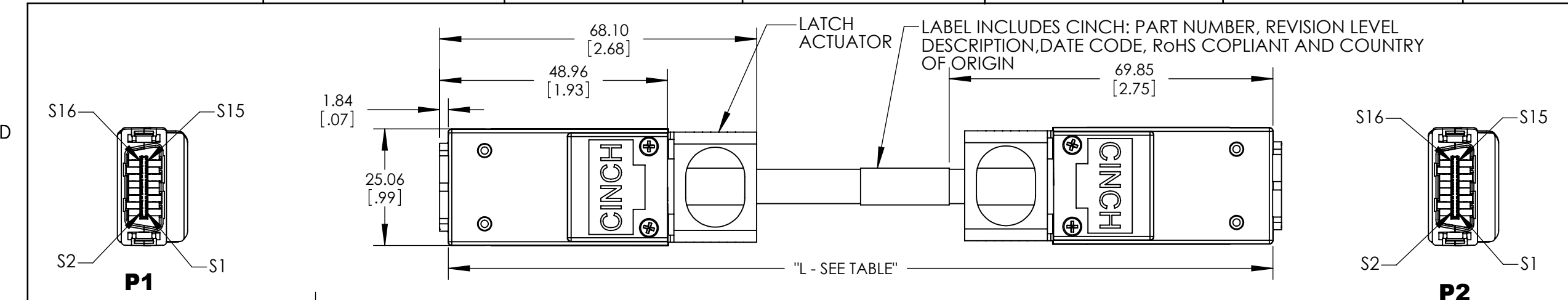


DRAWING REVISIONS			
REV	DOCUMENT	APP	DATE
1	08-1093	VS	11/13/07



**NOTES:**

**CABLE SPECIFICATIONS:**  
 TWINAX; FULLY SHIELDED DIFFERENTIAL PAIRS, 28 AWG; UL STYLE CL2 OR CM. CHARACTERISTIC IMPEDANCE: 100. +/- 5 OHMS.

**PLUG MATERIALS:**  
 CONTACTS - COPPER ALLOY; GOLD PLATED OVER NICKEL.  
 SHELL - ZINC DIE CAST; NICKEL PLATED OVER COPPER.  
 LATCH MECHANISM - THERMOPLASTIC AND NICKEL ALLOY.  
 CONNECTOR HOUSING - HIGH TEMPERATURE THERMOPLASTIC UL94V-0.

**MECHANICAL PERFORMANCE:**  
 LATCH RETENTION FORCE - 75 N (16.9 LBS) MIN.  
 DURABILITY - 250 CYCLES

**ENVIRONMENT:**  
 OPERATING TEMPERATURE RANGE: -20°C to 75°C.

**PERFORMANCE:**  
 DIRECT ATTACH CABLE ASSEMBLY MEETS InfiniBand™ REQUIREMENTS FOR HIGH SPEED DATA TRANSFERS AND SFF 8470

**DIMENSIONS IN [ ] ARE IN INCHES.**

**STANDARD PART NUMBERS  
 CONSULT FACTORY FOR CUSTOM  
 CONFIGURATIONS AND LENGTH**

28 AWG CABLE	
"L" Meters	Part Number
0.5	717 01 00 240
1	717 01 00 241
2	717 01 00 242
3	717 01 00 243
5	717 01 00 245
7	717 01 00 247
8	717 01 00 248
10	717 01 00 250

TOLERANCE TABLE	
"L" LENGHT	TOLERANCE
UP TO 1M	±40.0mm
1M TO 10M	±70.0mm OF "L"
GREATER THAN 10M	±100mm OF "L"

**RoHS COMPLIANT**

UNITS		Solidworks		Cinch		MODELED BY: V.SKUZA	
DO NOT SCALE DRAWING		DRAWN BY V. SKUZA	DATE 11/13/07	TITLE STANDARD 4X 28 AWG BELLY TO BELLY STR LATCH TO STR LATCH CABLE ASSEMBLY		1700 FINLEY RD LOMBARD, IL 60148	
UNLESS OTHERWISE SPECIFIED: ALL DIMENSIONS ARE IN MILLIMETERS FILLET/RADII 0.50 MAX		DESIGN ENGINEER *	XX/XX/XX	MATERIAL *		CONTROL SPEC NUMBER *	
TOLERANCES AND LIMITS APPLY OVER ADDITIVE FINISH		DESIGN ENGINEERING MGR. *	XX/XX/XX	MATERIAL SPEC NUMBER *	FINISH *	PROJECT NUMBER C 14939	
THIS DOCUMENT IS THE PROPERTY OF CINCH. NEITHER THIS DOCUMENT NOR ANY OF THE INFORMATION CONTAINED IN IT MAY BE DUPLICATED OR DISCLOSED WITHOUT PRIOR WRITTEN CONSENT OF CINCH.		MFG. ENGINEERING *	XX/XX/XX	CAD FILE NUMBER 717 01 00 240S	DRAWING NUMBER 717 01 00 240S		
		QUALITY ASSURANCE *	XX/XX/XX	CAGE IDENT NO. 71785	SIZE B	SCALE 1:1	SHEET 1 OF 1