

DRAWING REVISIONS			
REV	DOCUMENT	APP	DATE
A	08 - 1093	VS	9/18/08

NOTES:

CABLE SPECIFICATIONS:
 TWINAX; FULLY SHIELDED DIFFERENTIAL PAIRS, 24 AWG; UL STYLE CL2 OR CM.
 CHARACTERISTIC IMPEDANCE: 100. +/- 5 OHMS.

PLUG MATERIALS:
 CONTACTS - COPPER ALLOY; GOLD PLATED OVER NICKEL.
 SHELL - ZINC DIE CAST; NICKEL PLATED OVER COPPER.
 LATCH MECHANISM - THERMOPLASTIC AND NICKEL ALLOY.
 CONNECTOR HOUSING - HIGH TEMPERATURE THERMOPLASTIC UL94V-0.

MECHANICAL PERFORMANCE:
 LATCH RETENTION FORCE: - 75 N (16.9 LBS) MIN.
 DURABILITY - 250 CYCLES.

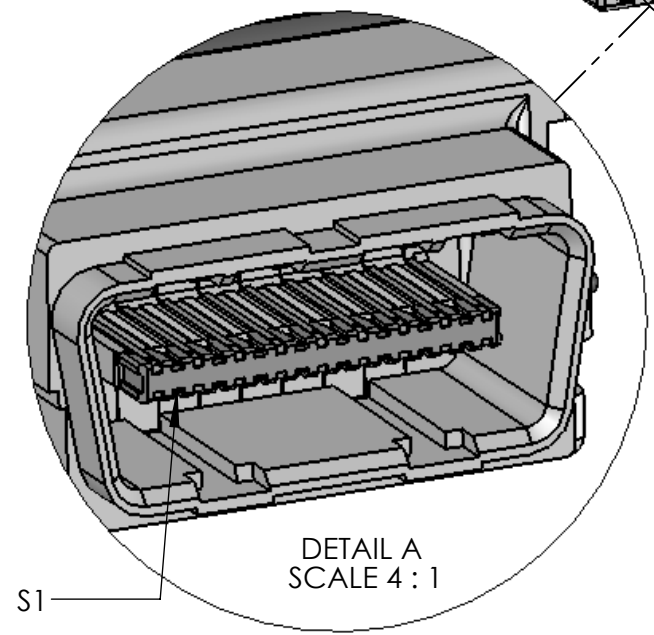
ENVIRONMENT:
 OPERATING TEMPERATURE RANGE: -20°C to 75°C.

PERFORMANCE:
 DIRECT ATTACH CABLE ASSEMBLY MEETS InfiniBand™ REQUIREMENTS FOR HIGH SPEED DATA TRANSFERS AND SFF 8470

DIMENSIONS IN [] ARE IN INCHES.

**STANDARD PART NUMBERS
 CONSULT FACTORY FOR CUSTOM
 CONFIGURATIONS AND LENGTH**

24 AWG CABLE	
"L" Meters	Part Number
0.5	717 01 00 019
1	717 01 00 001
2	717 01 00 002
3	717 01 00 003
5	717 01 00 004
6.5	717 01 00 008
7	717 01 00 005
8	717 01 00 018
10	717 01 00 006
12.5	717 01 00 007
15	717 01 00 009
16	717 01 00 010
17	717 01 00 017



TOLERANCE TABLE	
"L" LENGTH	TOLERANCE
UP TO 1M	±40.0mm
1M TO 10M	±70.0mm OF "L"
GREATER THAN 10M	±100mm OF "L"

RoHS COMPLIANT		MODELED BY:	
UNITS: METRIC	SOLIDWORKS	Cinch	
DO NOT SCALE DRAWING	DRAWN BY: V.SKUZA	DATE: 6/19/08	TITLE: STANDARD 4X STRAIGHT 24 AWG DIRECT ATTACH PASSIVE CABLE WITH LATCH
UNLESS OTHERWISE SPECIFIED: ALL DIMENSIONS ARE IN MM. FILLETRADII 0.50 MAX	DESIGN ENGINEER	MATERIAL	CONTROL SPEC NUMBER
TOLERANCES: X ± .3, .XX ± .13, .XXX ± .025, ANGULAR ± 0.5°	DESIGN ENGINEERING MFR.	MATERIAL SPEC NUMBER	FINISH
THIS DOCUMENT IS THE PROPERTY OF CINCH. NEITHER THIS DOCUMENT NOR ANY OF THE INFORMATION CONTAINED IN IT MAY BE DUPLICATED OR DISCLOSED WITHOUT PRIOR WRITTEN CONSENT OF CINCH.	MFG. ENGINEERING	CAD FILE NUMBER	DRAWING NUMBER
	QUALITY ASSURANCE	CAGE IDENT NO.	SIZE
		SCALE: 1 : 1	717 01 00 001 S
			SHEET 1 OF 1