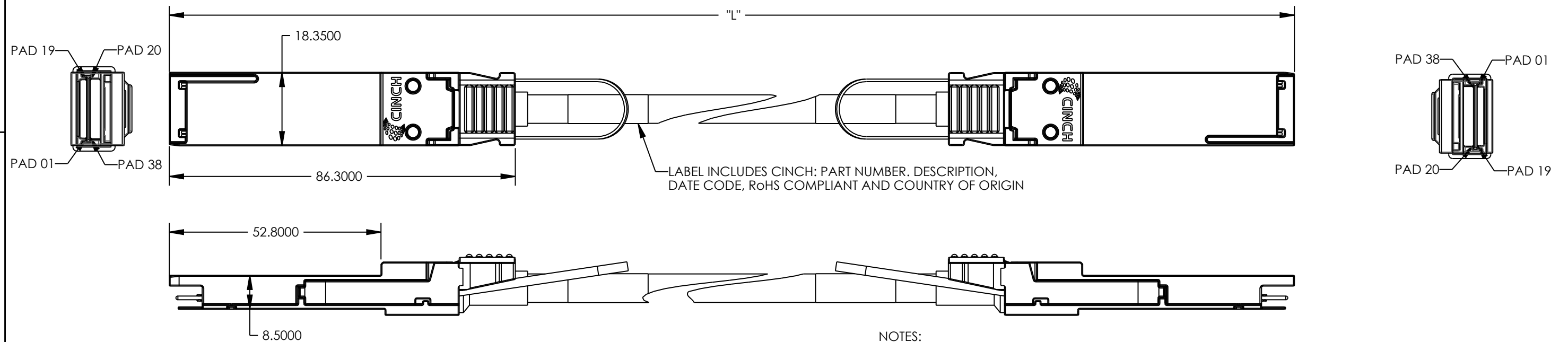


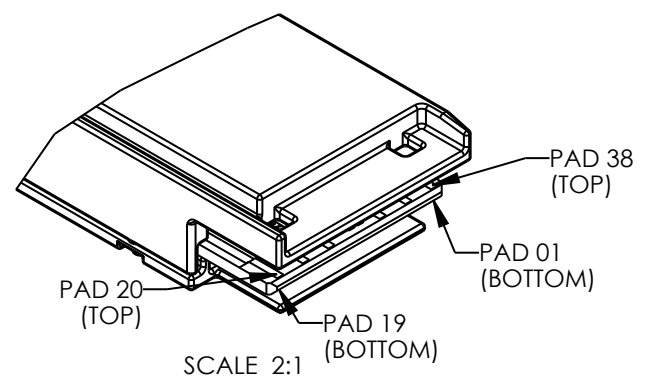
DRAWING REVISIONS (RELEASE DATE ON FILE)			
REV	DOCUMENT	APP	APPROVAL DATE
A	INITIAL RELEASE	JDS	09/14/09



LABEL INCLUDES CINCH: PART NUMBER, DESCRIPTION, DATE CODE, RoHS COMPLIANT AND COUNTRY OF ORIGIN

NOTES:

- CABLE SPECIFICATIONS:**
 TWINAX: FULLY SHIELDED DIFFERENTIAL PAIRS; UL STYLE CL2 OR CM. CHARACTERISTIC IMPEDANCE: 100. +/- 10 OHMS.
 DC BLOCKING CAPS (0.1uF) ON Rx ONLY.
 EEPROM PROGRAMMED per SFF8436
 I C²MODULE SELECT BUFFER INCLUDED.
- PLUG MATERIAL:**
 PADS - GOLD PLATED OVER NICKEL OVER COPPER BASE MATERIAL.
 SHELL - ZINC DIE CAST; NICKEL PLATED OVER COPPER PLATING.
 LATCH MECHANISM - ZINC DIE CAST; NICKEL PLATED OVER COPPER PLATING.
- MECHANICAL PERFORMANCE:**
 LATCH RETENTION FORCE - 90 N (20.2 LBS) MIN
 DURABILITY - 50 CYCLES
- ENVIRONMENT:**
 OPERATING TEMPERATURE RANGE: -20°C to 75°C.
- PERFORMANCE:**
 DIRECT ATTACH CABLE ASSEMBLY MEETS InfiniBand™ REQUIREMENTS FOR HIGH SPEED DATA TRANSFERS AND SFF 8436.



SCALE 2:1

RoHS COMPLIANT MODELED BY: JDS

<small>UNITS</small> METRIC DO NOT SCALE DRAWING <small>UNLESS OTHERWISE SPECIFIED: ALL DIMENSIONS ARE IN mm</small> <small>FILLET/RADII 0.50 MAX.</small> <small>TOLERANCES</small> .X ± 0.3 .XX ± 0.13 .XXX ± 0.025 ANGULAR ± 0.5° CONFIDENTIAL <small>THIS DOCUMENT IS THE PROPERTY OF CINCH. NEITHER THIS DOCUMENT NOR ANY OF THE INFORMATION CONTAINED IN IT MAY BE DUPLICATED OR DISCLOSED WITHOUT PRIOR WRITTEN CONSENT OF CINCH. ©COPYRIGHT CINCH</small>	<small>DESIGN ENGINEER</small> JD SCRUGGS	<small>DATE</small> 07/01/09	CINCH <small>1700 FINLEY RD LOMBARD, IL 60148</small>		
	<small>TITLE</small> QSFP CABLE ASSEMBLY 30 GAGE PASSIVE PCB		<small>CONTROL SPEC NUMBER</small>		
	<small>MATERIAL</small>		<small>MATERIAL SPEC NUMBER</small>	<small>FINISH</small>	<small>PROJECT NUMBER</small>
	<small>CAD FILE NUMBER</small>		<small>DRAWING NUMBER</small> 7170400060S		
<small>CAGE IDENT NO.</small> 71785		<small>SIZE</small> B	<small>SCALE</small> 1:1	<small>SHEET</small> 1 OF 1	

ASSEMBLY PART NUMBER	30 GAGE CABLE LENGTH "L"	TOLERANCE	IBTA INTEGRATORS LIST
717 04 00 060	0.5 METERS LONG	± 30.0mm OF "L"	DDR, QDR
717 04 00 061	1.0 METERS LONG	± 50.0mm OF "L"	DDR, QDR
717 04 00 062	2.0 METERS LONG	± 50.0mm OF "L"	DDR, QDR
717 04 00 063	3.0 METERS LONG	± 50.0mm OF "L"	DDR, QDR
717 04 00 064	4.0 METERS LONG	± 80.0mm OF "L"	DDR, QDR
717 04 00 065	5.0 METERS LONG	± 80.0mm OF "L"	DDR