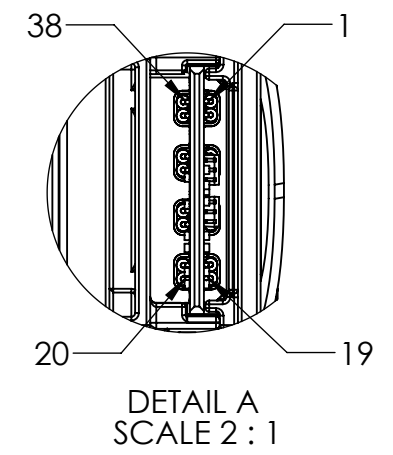
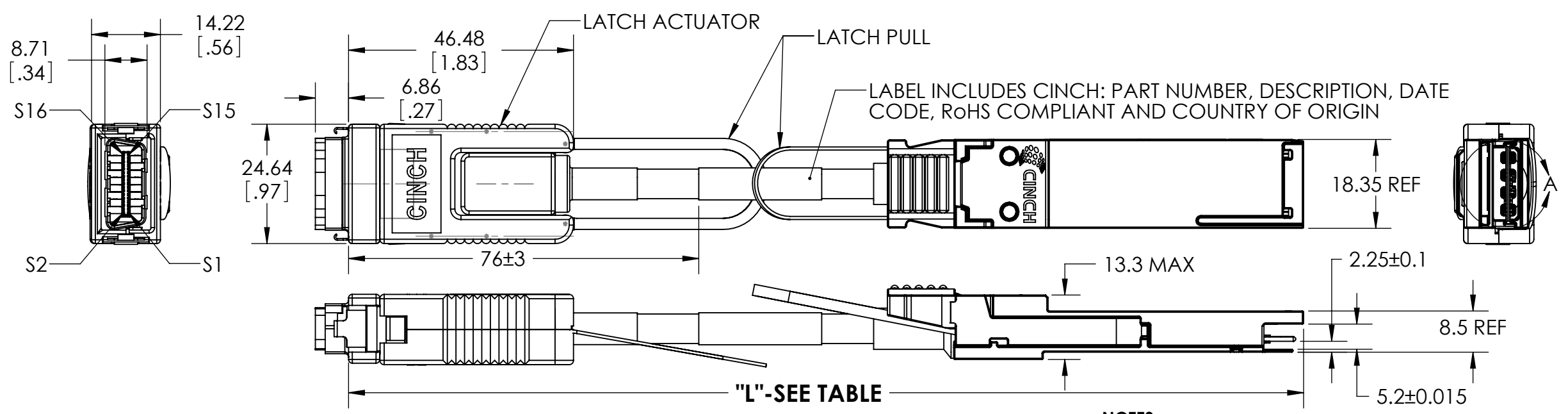


DRAWING REVISIONS (RELEASE DATE ON FILE)			
REV	DOCUMENT	APP	APPROVAL DATE
1	INITIAL RELEASE	VS	08/09



NOTES:
CABLE SPECIFICATIONS:
 TWINAX; FULLY SHIELDED DIFFERENTIAL PAIRS, 30 AWG; UL STYLE CL2 OR CM.
 CHARACTERISTIC IMPEDANCE: 100. +/- 10 OHMS.
QSFP+
 DC BLOCKING CAPS (0.1uF) ON Rx ONLY.
 EEPROM PROGRAMMED per SFF8436
 I²C MODULE SELECT BUFFER INCLUDED.

PLUG MATERIALS:
NX
 CONTACTS - COPPER ALLOY; GOLD PLATED OVER NICKEL.
 SHELL - ZINC DIE CAST; NICKEL PLATED OVER COPPER.
 LATCH MECHANISM - THERMOPLASTIC AND NICKEL ALLOY.
 CONNECTOR HOUSING - HIGH TEMPERATURE THERMO-PLASTIC UL94V-0.
QSFP+
 PADS - GOLD PLATED OVER NICKEL OVER COPPER BASE MATERIAL.
 SHELL - ZINC DIE CAST; NICKEL PLATED OVER COPPER PLATING.
 LATCH MECHANISM - ZINC DIE CAST; NICKEL PLATED OVER COPPER.

MECHANICAL PERFORMANCE:
 LATCH RETENTION FORCE: (NX) 75 N (16.9 LBS) MIN. DURABILITY - 250 CYCLES
 (QSFP+) 90 N (20.2 LBS) MIN. DURABILITY - 50 CYCLES

ENVIRONMENT:
 OPERATING TEMPERATURE RANGE: -20°C to 75°C.

PERFORMANCE:
 DIRECT ATTACH CABLE ASSEMBLY MEETS SAS AND InfiniBand™ REQUIREMENTS FOR HIGH SPEED DATA TRANSFERS AND SFF 8470 AND SFF8436.

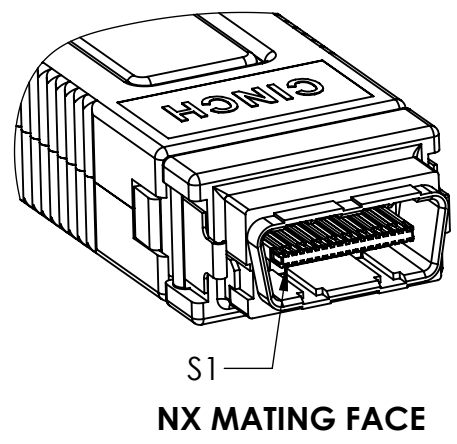
QSFP+ CABLE PLUG IS SHIPPED WITH DUST CAP IN PLACE.

DIMENSIONS IN [] ARE IN INCHES.

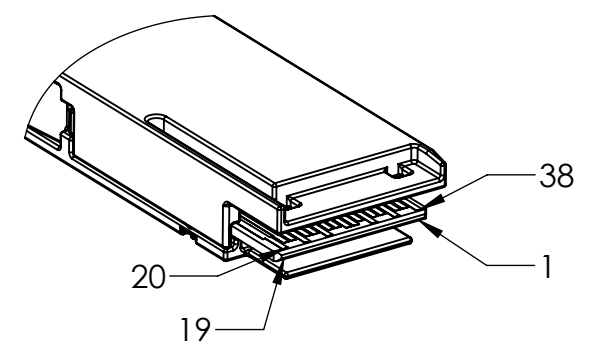
ROHS COMPLIANT <small>UNLESS OTHERWISE SPECIFIED: ALL DIMENSIONS ARE IN MILLIMETERS FILLET/RADII 0.50 MAX. TOLERANCES X ± .3 XX ± .13 XXX ± .025 ANGULAR ± .5°</small>				MODELED BY: 1700 FINLEY RD LOMBARD, IL. 60148			
		DO NOT SCALE DRAWING DESIGN ENGINEER E. MARIANO	DATE 08/17/09	CINCH TITLE STANDARD 4X STRAIGHT DIRECT QSFP+ TO NX HYBRID 30 AWG CABLE W/LATCH		CONTROL SPEC NUMBER *	
CONFIDENTIAL <small>THIS DOCUMENT IS THE PROPERTY OF CINCH. NEITHER THIS DOCUMENT NOR ANY OF THE INFORMATION CONTAINED IN IT MAY BE DUPLICATED OR DISCLOSED WITHOUT PRIOR WRITTEN CONSENT OF CINCH. © COPYRIGHT 2009 CINCH</small>		APPROVALS ON FILE		MATERIAL NONE			
				MATERIAL SPEC NUMBER NONE		FINISH NONE	
				CAD FILE NUMBER 717 06 00 060S		DRAWING NUMBER 7170600060S	
				CAGE IDENT NO. 71785		SIZE B	
		SCALE 1:1		PROJECT NUMBER C14981			
				SHEET 1 OF 1			

STANDARD PART NUMBERS CONSULT FACTORY FOR CUSTOM CONFIGURATIONS AND LENGTH	
30 AWG CABLE	
"L" Meters	Part Number
0.5 METERS	717 06 00 060
1 METERS	717 06 00 061
2 METERS	717 06 00 062
3 METERS	717 06 00 063
4 METERS	717 06 00 064
5 METERS	717 06 00 065

TOLERANCE TABLE	
"L" LENGTH	TOLERANCE
UP TO 1M	± 40.0 mm
1M TO 10M	± 70.0 mm OF "L"
GREATER THAN 10M	± 100.0 mm OF "L"



NX MATING FACE



QSFP+ MATING FACE