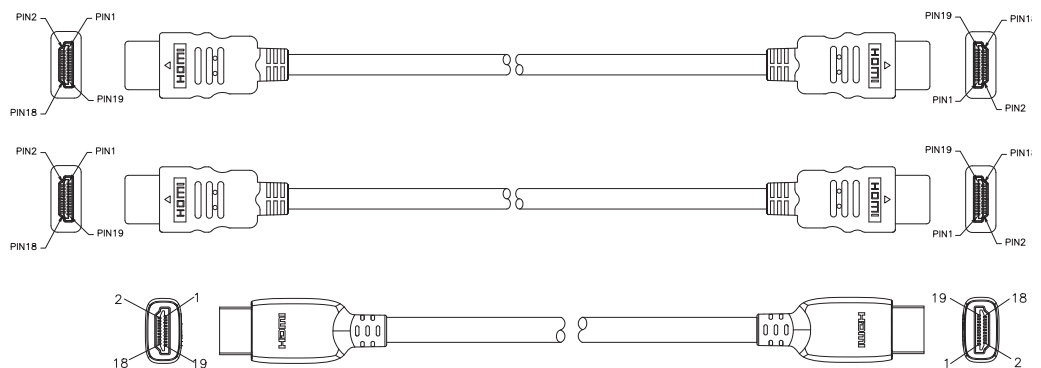


Stewart Connector HDMI Cable Assemblies



Cinch HDMI cable assemblies support standard enhanced or high-definition video plus multi-channel audio on a single cable. HDMI technology is an industry-supported, evolving standard that combines video and audio into a single digital interface used in many audio-visual technologies including televisions, screens and displays for IoT applications.

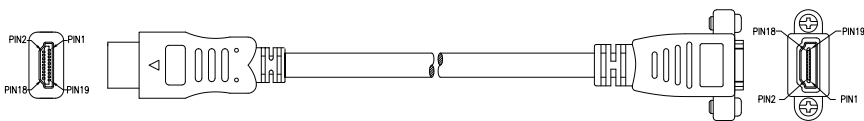
The HDMI cable assemblies feature gold-plated connectors to provide superior transmission, high reliability, and durability. The HDMI male to female assemblies features a panel mount design to provide a secured HDMI connection on faceplates or panels. Cinch HDMI assemblies are backwards compatible with previous HDMI standards.



HDMI Male to Male Assemblies

Part Number	End Connector A	End Connector B	Performance	Lengths Available		AWG Size
				ft	m	
BC-HH003F	HDMI Male	HDMI Male	HDMI 2.0	3 ft	0.91 m	28 AWG
BC-HH006F	HDMI Male	HDMI Male	HDMI 2.0	6 ft	1.82 m	28 AWG
BC-HH010F	HDMI Male	HDMI Male	HDMI 2.0	10 ft	3.04 m	28 AWG
BC-HHR010M	HDMI Male	HDMI Right Angle	HDMI 1.4	3.28 ft	1 m	28 AWG
SC-2HH003F	HDMI Male	HDMI Male	HDMI 2.1	3 ft	0.91 m	30 AWG
SC-2HH006F	HDMI Male	HDMI Male	HDMI 2.1	6 ft	1.82 m	30 AWG
SC-2HH010F	HDMI Male	HDMI Male	HDMI 2.1	10 ft	3.04 m	28 AWG





HDMI Male to Female Panel Mount Assemblies

Part Number	End Connector A	End Connector B	Performance	Lengths Available		AWG Size
				ft	m	
BC-HF001F	HDMI Male	HDMI Female Panel Mount	HDMI 1.4	1 ft	0.30 m	28 AWG
BC-HF003F	HDMI Male	HDMI Female Panel Mount	HDMI 1.4	3 ft	0.91 m	28 AWG
BC-HF006F	HDMI Male	HDMI Female Panel Mount	HDMI 1.4	6 ft	1.82 m	28 AWG
BC-HF010F	HDMI Male	HDMI Female Panel Mount	HDMI 1.4	10 ft	3.04 m	28 AWG

