

JCON

Junior Bulkhead Expanded Beam Adapter

Fibreco JCON expanded beam fiber optic adapters are engineered for reliable performance in the most demanding applications and environments, including military tactical communications, outside broadcast, industrial, mining, and offshore systems.

These adapters feature a standard M83526 compliant fiber optic interface, along with rear adapter plate for standard commercial connectors such as LC, ST, SC, and FC, allowing easy use with readily available patchcords.

The expanded beam ferrule-to-lens alignment utilizes Cinch-Fibreco patented optical technology, ensuring optimal signal integrity and minimizing maintenance.

If the cabling is damaged during use, the adapter's design enables fast replacement with standard commercial patchcords - no termination required.

JCON expanded beam adapters are the trusted solution for mission-critical fiber optic connectivity, combining rugged construction with simplified installation and superior optical performance.

Features & Benefits

- Plug-and-play compatibility with standard LC/ST/SC/FC patchcords
- Standard M83526 interface and multiple keying options to prevent mis-mating
- Easy to clean
- Available in single mode and multi mode configurations
- Various shell materials and finishes for enhanced durability
- Bulkhead-D and square flange options
- Tool-free installation for quick deployment

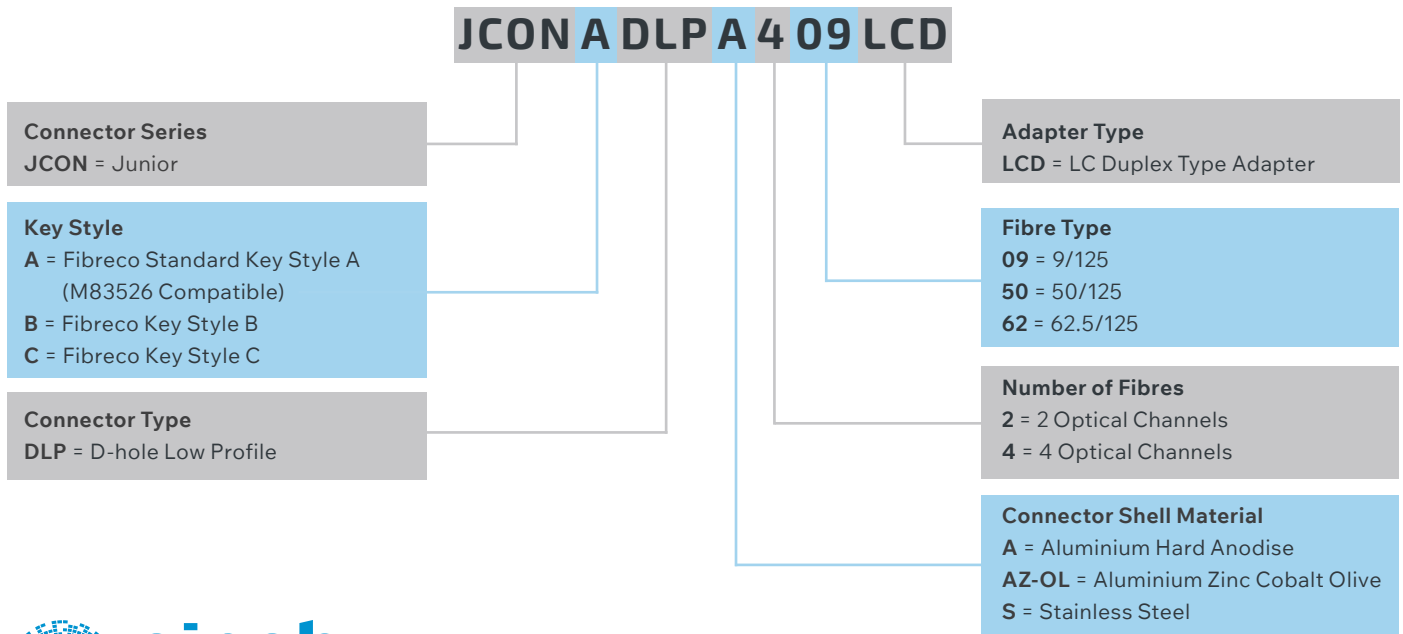
Applications

- Ground-based tactical communication systems
- Outside Broadcast / Consoles
- Industrial environments
- Mining
- Marine and offshore systems

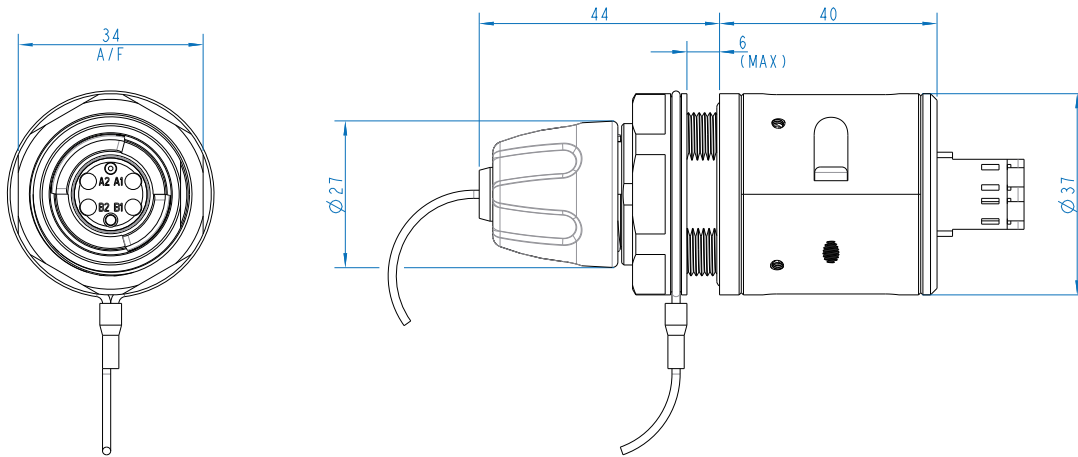
Ordering Information

Part Number	Fibre Count	Fibre Type	End Plate Interface	Wave Length	Color	Material / Finish
JCONADLPA209LCD	2	9/125 um	LC Duplex	1310/1550	Black	Aluminium Hard Anodise
JCONADLPA250LCD	2	50/125 um	LC Duplex	850/1300	Black	Aluminium Hard Anodise
JCONADLPA262LCD	2	62.5/125 um	LC Duplex	850/1300	Black	Aluminium Hard Anodise
JCONADLPAZ-OL209LCD	2	9/125 um	LC Duplex	1310/1550	Olive	Aluminium Zinc Cobalt
JCONADLPAZ-OL250LCD	2	50/125 um	LC Duplex	850/1300	Olive	Aluminium Zinc Cobalt
JCONADLPAZ-OL262LCD	2	62.5/125 um	LC Duplex	850/1300	Olive	Aluminium Zinc Cobalt
JCONADLPS209LCD	2	9/125 um	LC Duplex	1310/1550	Natural	Stainless Steel
JCONADLPS250LCD	2	50/125 um	LC Duplex	850/1300	Natural	Stainless Steel
JCONADLPS262LCD	2	62.5/125 um	LC Duplex	850/1300	Natural	Stainless Steel
JCONADLPA409LCD	4	9/125 um	LC Duplex x 2	1310/1550	Black	Aluminium Hard Anodise
JCONADLPA450LCD	4	50/125 um	LC Duplex x 2	850/1300	Black	Aluminium Hard Anodise
JCONADLPA462LCD	4	62.5/125 um	LC Duplex x 2	850/1300	Black	Aluminium Hard Anodise
JCONADLPAZ-OL409LCD	4	9/125 um	LC Duplex x 2	1310/1550	Olive	Aluminium Zinc Cobalt
JCONADLPAZ-OL450LCD	4	50/125 um	LC Duplex x 2	850/1300	Olive	Aluminium Zinc Cobalt
JCONADLPAZ-OL462LCD	4	62.5/125 um	LC Duplex x 2	850/1300	Olive	Aluminium Zinc Cobalt
JCONADLPS409LCD	4	9/125 um	LC Duplex x 2	1310/1550	Natural	Stainless Steel
JCONADLPS450LCD	4	50/125 um	LC Duplex x 2	850/1300	Natural	Stainless Steel
JCONADLPS462LCD	4	62.5/125 um	LC Duplex x 2	850/1300	Natural	Stainless Steel

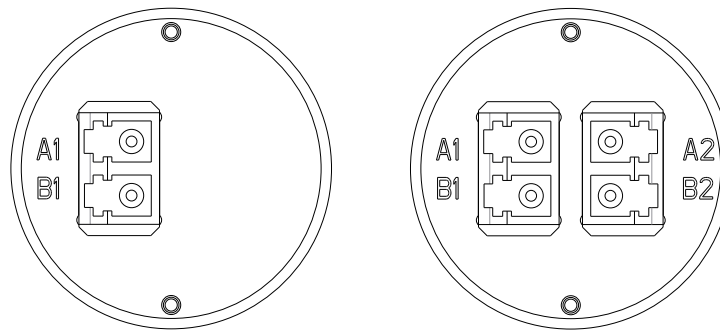
Part Number Key Explanation



Mechanical Drawing



Adapter Plate Arrangement



Test Specification

Test Name	Performance	Duration
Optical Performance	Single Mode: <1.8 db IL (1310/1550 nm) >32 db RL (1310/1550 nm) Multi Mode: <1.3 db IL (850/1300 nm) >23 db RL (850/1300 nm)	
Operating Temperature	-46°C to +71°C	16 Hours
Storage Temperature	-57°C to +85°C	16 Hours
Thermal Shock	-40°C to +85°C	10 cycles
Leak Test	Simulation up to 15 m	15 secs
Mating Test (End A)	1000 cycles	1000 cycles
Drop Test	1.2 m	500 drops
Tensile Load-LC Disengage	40 N	2 mins (120 secs)
Weight	0.14 kg	