

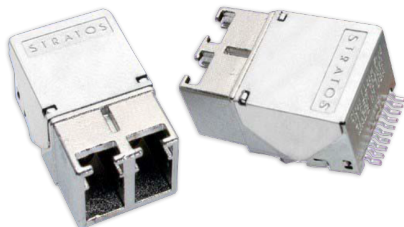
LxK-S-R2xx Low Profile Dual Channel Optical Receiver

Dual RX Channel, Gigabit Ethernet / 1x Fiber Channel
Applications 3.3V, 850nm VCSEL, Multimode, Up to 550 Meters

Applications

The LxK-S-R2xx multimode optical dual receivers provide low profile, cost effective solutions for rate agile Gigabit Ethernet / 1x Fiber Channel multimode optical fiber data links with a duplex LC Connector interface.

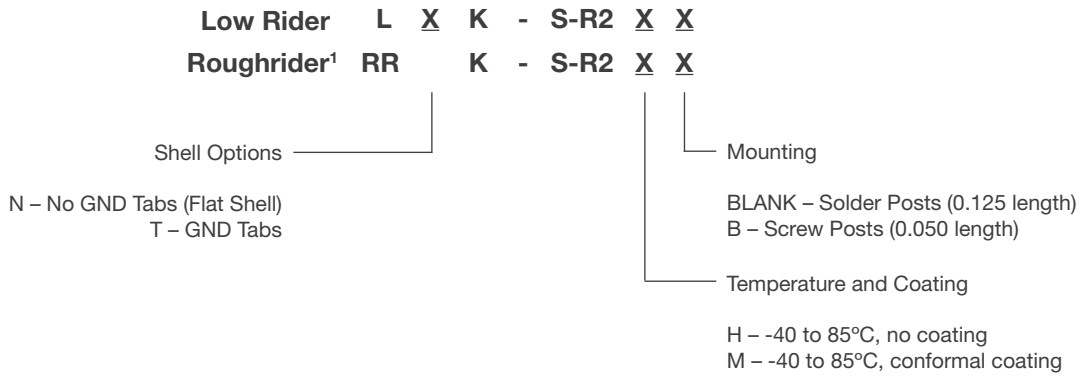
These receivers are fully compliant with the IEEE Gigabit Ethernet and ANSI 1x Fiber Channel standards but can be used for any other data communications purpose within their operating parameters.



Features

- Dual RX receiver, lower cost than 2 independent units
- Low Profile Design - 0.386 inches max. height
- Surface mount I/O pins for high speed signal integrity
- All metal body, solder or screw mount options
- Industrial Temp Range, Vibration tolerant design
- RX data squelch on Signal Detect deassert
- Individual (separate) +3.3 V power supply per port
- Industry standard duplex multimode LC receptacle
- Compliant with IEEE and ANSI requirements
- EN-60825/ IEC-825 / CDRH Class 1 Compliant
- Optional Parylene C Conformal Coating
- Optional addition of fiber pigtail

Ordering Information



Receivers: VCCTX = 3.135V to 3.465V, T_A = Operating Temperature Range

Parameter	Symbol	MIN	Typical	MAX	Unit
Optical Sensitivity ¹	P _i	-21		0	dBm
Optical Return Loss	ORL	12			dB

1. BER=10⁻¹² @ 1.25Gbps, PRBS 2⁷-1, NRZ, Compliant with ANSI X3.297 / FC-PH-2

2. RX Data outputs are squelched when Signal Detect is deasserted to prevent garbage data output when no optical signal is present.

Link Distances

Application	Fiber Specification	Distance
Gigabit Ethernet – IEEE 802.3z	62.5/125 – 160MHz*Km	220M
	62.5/125 – 200MHz*Km	275M
	50/125 – 400MHz*Km	500M
	50/125 – 500MHz*Km	550M
Fiber Channel – ANSI X3.297	62.5/125 – 160MHz*Km	300M
	50/125 – 500MHz*Km	500M

For more information on this product consult the LxK-S-R2xx product data sheet.

