

# MIL-STD-1553B Terminators

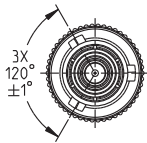
Trompeter TET-1553 terminators incorporate a 2 W, 1% resistor. The resistance values are 78 Ohm for the data bus and 1K, 2K, 3K Ohm values to represent future loads for the stub connections. These terminators each have a 3 slot TRB interface and include chain options of: no chain, 3 inch chain or 6 inch chain. The TET-1553 series of terminators compliment Trompeter's extensive terminator offering of 1/2 W, 2% terminators.

## Features & Benefits

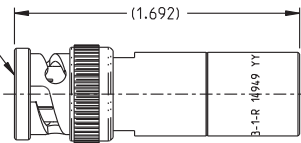
- Higher power
- Tighter precision
- 78 Ohm bus terminator
- 1K, 2K, 3K Ohm stub load simulation terminators

## Applications

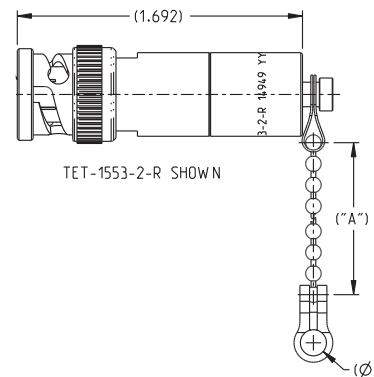
- Military and Commercial Aircraft and Ground Vehicles
- Military and Commercial Maritime Vessels
- Space Programs
- Testing and Evaluation



TRB PLUG INTERFACE  
PER MIL-STD-348  
FIGURE 201-1



TET-1553-1-R SHOWN



TET-1553-2-R SHOWN

# MIL-STD-1553B Terminators



Part Number	Series	Terminator	Lead Free	Resistance	Power	Chain Length	Chain Material
TET-1553-1-78	TRB	MIL-STD-1553B	No	78 Ohm	2W 1%	No	N/A
TET-1553-1-78-LF	TRB	MIL-STD-1553B	Yes	78 Ohm	2W 1%	No	N/A
TET-1553-2-78	TRB	MIL-STD-1553B	No	78 Ohm	2W 1%	3 inches	Brass
TET-1553-2-78-LF	TRB	MIL-STD-1553B	Yes	78 Ohm	2W 1%	3 inches	Brass
TET-1553-3-78	TRB	MIL-STD-1553B	No	78 Ohm	2W 1%	6 inches	Brass
TET-1553-3-78-LF	TRB	MIL-STD-1553B	Yes	78 Ohm	2W 1%	6 inches	Brass

Part Number	Series	Terminator	Lead Free	Resistance	Power	Chain Length	Chain Material
TET-1553-1-1K	TRB	MIL-STD-1553B	No	1000 Ohm	2W 1%	No	N/A
TET-1553-1-1K-LF	TRB	MIL-STD-1553B	Yes	1000 Ohm	2W 1%	No	N/A
TET-1553-2-1K	TRB	MIL-STD-1553B	No	1000 Ohm	2W 1%	3 inches	Brass
TET-1553-2-1K-LF	TRB	MIL-STD-1553B	Yes	1000 Ohm	2W 1%	3 inches	Brass
TET-1553-3-1K	TRB	MIL-STD-1553B	No	1000 Ohm	2W 1%	6 inches	Brass
TET-1553-3-1K-LF	TRB	MIL-STD-1553B	Yes	1000 Ohm	2W 1%	6 inches	Brass

Part Number	Series	Terminator	Lead Free	Resistance	Power	Chain Length	Chain Material
TET-1553-1-2K	TRB	MIL-STD-1553B	No	2000 Ohm	2W 1%	No	N/A
TET-1553-1-2K-LF	TRB	MIL-STD-1553B	Yes	2000 Ohm	2W 1%	No	N/A
TET-1553-2-2K	TRB	MIL-STD-1553B	No	2000 Ohm	2W 1%	3 inches	Brass
TET-1553-2-2K-LF	TRB	MIL-STD-1553B	Yes	2000 Ohm	2W 1%	3 inches	Brass
TET-1553-3-2K	TRB	MIL-STD-1553B	No	2000 Ohm	2W 1%	6 inches	Brass
TET-1553-3-2K-LF	TRB	MIL-STD-1553B	Yes	2000 Ohm	2W 1%	6 inches	Brass

Part Number	Series	Terminator	Lead Free	Resistance	Power	Chain Length	Chain Material
TET-1553-1-3K	TRB	MIL-STD-1553B	No	3000 Ohm	2W 1%	No	N/A
TET-1553-1-3K-LF	TRB	MIL-STD-1553B	Yes	3000 Ohm	2W 1%	No	N/A
TET-1553-2-3K	TRB	MIL-STD-1553B	No	3000 Ohm	2W 1%	3 inches	Brass
TET-1553-2-3K-LF	TRB	MIL-STD-1553B	Yes	3000 Ohm	2W 1%	3 inches	Brass
TET-1553-3-3K	TRB	MIL-STD-1553B	No	3000 Ohm	2W 1%	6 inches	Brass
TET-1553-3-3K-LF	TRB	MIL-STD-1553B	Yes	3000 Ohm	2W 1%	6 inches	Brass



Asia-Pacific  
+86 21 5442 7668  
ccs.asia.sales@as.cinch.com

Europe, Middle East  
+44 (0) 1245 342060  
CinchConnectivity@eu.cinch.com

North America  
+1 507.833.8822  
ccsorders@us.cinch.com

[belfuse.com/cinch](https://belfuse.com/cinch)