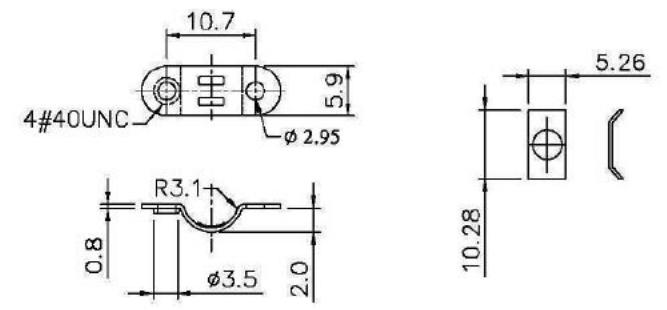
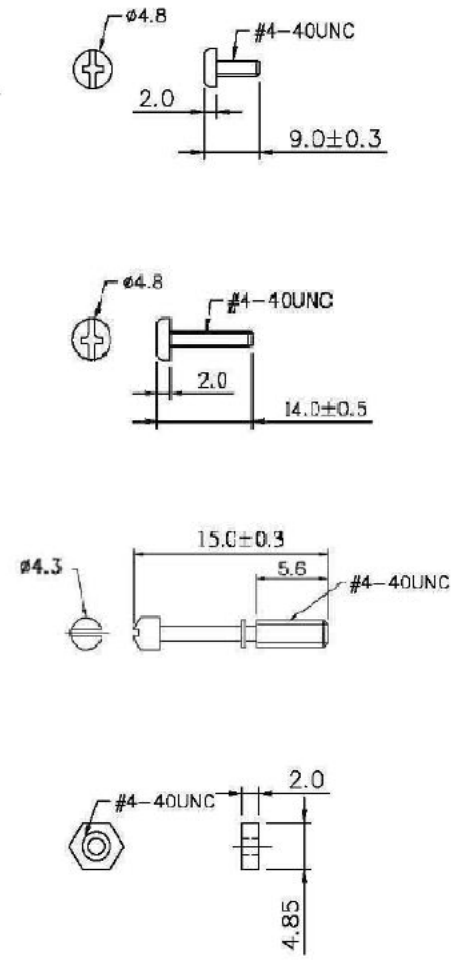
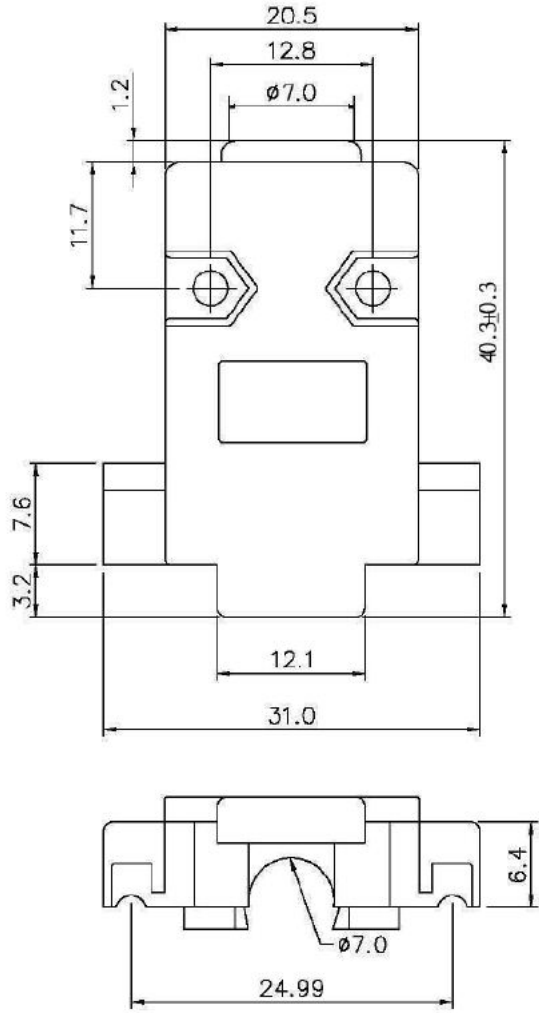


REV	ECO	DATE
1	OFFICIAL RELEASE	12/19/2012



Description: D-Sub Hood, Deluxe Metalized HS Series, 9 Pins  
P/N: 40-9709H,HS  
(40-9709-HS is the same as 40-9709-H, but with metalized plating)

Hood material: ABS, UL 94HB  
Color: Gray, Black, Ivory  
Screw Nut & Clip And Other, Nickel Plated  
Pack: 1Set/Bag

<p>This PROPRIETARY Document is property of Emerson Network Power Connectivity Solutions. It is confidential in nature, non-transferable, and issued with the clear understanding that it is not traced or copied without permission and is returnable upon demand.</p> <p>INTERPRET DRAWING IN ACCORDANCE WITH ASME Y14.5-2018.</p>	Model No. <b>40-9709H,HS-CUST</b>	<b>AIM-Cambridge</b>		
	RoHS <input checked="" type="checkbox"/> (EU)/2015/863 COMPLIANT	Cage Code N/A	Title: D-Sub Hood, Deluxe Metalized H and HS Series, 9 Pins	
	UNLESS OTHERWISE SPECIFIED: UNITS: METRIC -X ±.2 .XX ±.10 .XXX ±.008 ANGLES ±.5°	3RD ANGLE PROJECTION 	Drawing No. <b>40-9709H,HS-CUST</b>	Rev. <b>1</b>
	Drawn by: Tommy Ren	Date: 12/19/2012	Size A	DO NOT SCALE DRAWING Workmanship Std: N/A