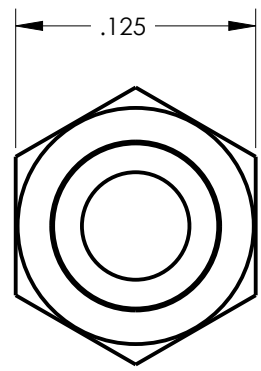
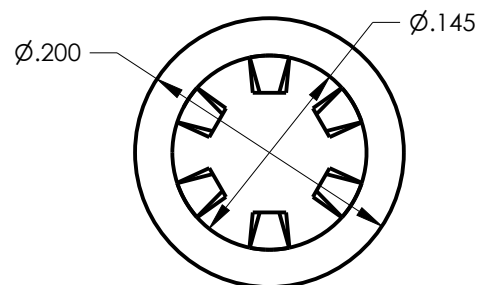


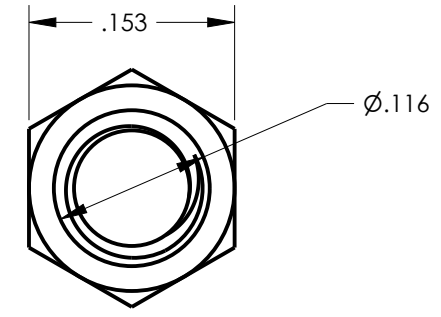
DRAWING REVISIONS (RELEASE DATE ON FILE)			
REV	DOCUMENT	APP	APPROVAL DATE
1	SALES DRAWING	JW	TBD



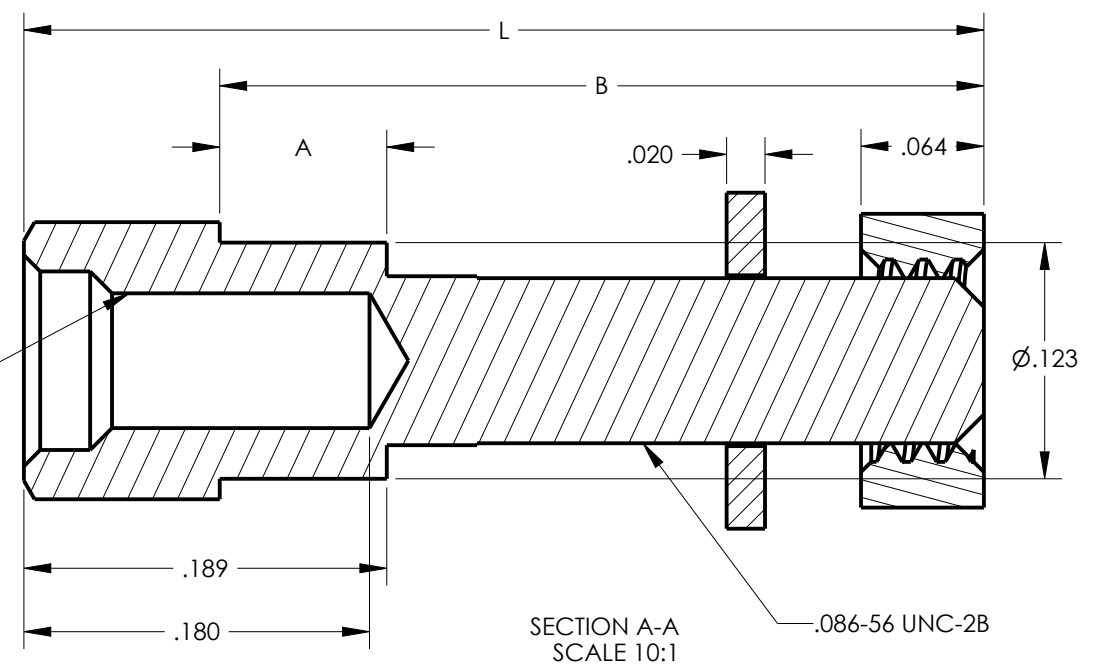
SCALE 10:1



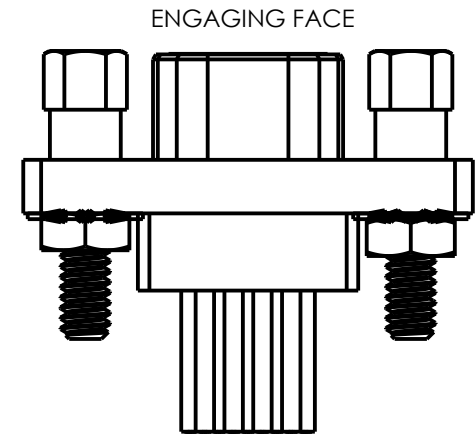
SCALE 7:1  
WASHER



SCALE 7:1  
NUT



SECTION A-A  
SCALE 10:1



CONNECTOR SHOWN  
FOR REFERENCE ONLY

JACKPOST PART NUMBER	DIM "A" IN	DIM "B" IN	DIM "L" IN
DCJPRM031	.025	.398	.500/.487
DCJPRM047	.040	.398	.500/.487
DCJPRM063	.055	.398	.500/.487
DCJPRM094	.087	.398	.500/.487

UNITS <b>ENGLISH INCHES</b>		DESIGN ENGINEER <b>J WARRAICH</b>	DATE <b>4/12/24</b>			1700 FINLEY RD LOMBARD, IL. 60148	
DO NOT SCALE DRAWING		UNLESS OTHERWISE SPECIFIED: ALL DIMENSIONS ARE IN INCHES FILLET/RADII .02 MAX.		<b>PRO/E</b>		<b>JACKPOST DRAWING</b>	
TOLERANCES .X ± .1 .XX ± .01 .XXX ± .005 ANGULAR ± .5°		CONFIDENTIAL THIS DOCUMENT IS THE PROPERTY OF CINCH. NEITHER THIS DOCUMENT NOR ANY OF THE INFORMATION CONTAINED IN IT MAY BE DUPLICATED OR DISCLOSED WITHOUT PRIOR WRITTEN CONSENT OF CINCH. ©COPYRIGHT CINCH		MATERIAL CONTROL SPEC NUMBER		PROJECT NUMBER	
APPROVALS ON FILE		CAD FILE NUMBER <b>DCJPRMS</b>		DRAWING NUMBER <b>DCJPRMS</b>		SHEET 1 OF 1	
CAGE IDENT NO. <b>71785</b>		SIZE <b>B</b>		SCALE <b>5:1</b>			