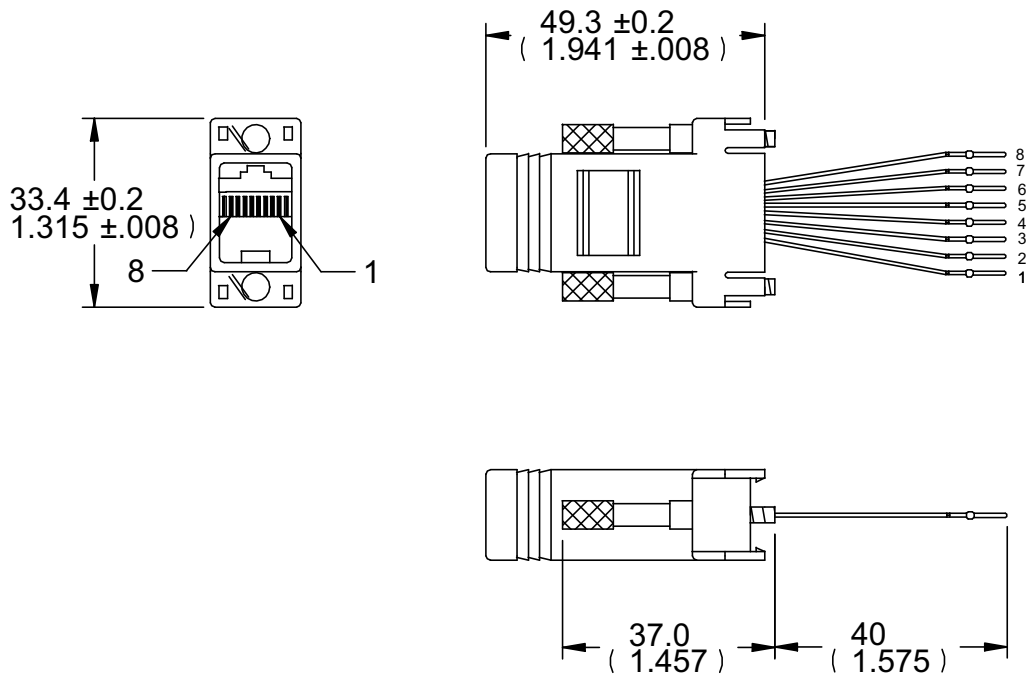
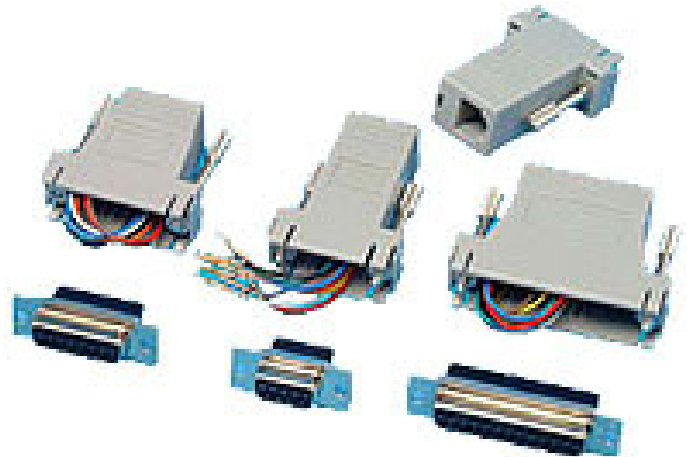


REV	ECO	DATE
1	OFFICIAL RELEASE	08/10/2009



- COLOR CODE:**
- 1 - BLUE
  - 2 - ORANGE
  - 3 - BLACK
  - 4 - RED
  - 5 - GREEN
  - 6 - YELLOW
  - 7 - BROWN
  - 8 - WHITE

**DIM OUTLINE**



Description:	Mod adptr kit, DB9F-RJ45, grey
Part No:	40-9538M
Application:	Adapter
Crimp Tool:	N/A
Impedance:	N/A
Frequency Range:	N/A
Material:	Connector DB9 male
	Jack 8P8C modular
	Terminal D-SUB male
	Screw #4-40 UNC
	Wire UL1061 26AWG
	Hood Black plastic

RoHS Compliance: Yes  
 Technical Detail: N/A

<p>This PROPRIETARY Document is property of Emerson Network Power Connectivity Solutions. It is confidential in nature, non-transferable, and issued with the clear understanding that it is not traced or copied without permission and is returnable upon demand.</p> <p>INTERPRET DRAWING IN UNITS: METRIC</p>	Model No. <b>40-9538M-CUST</b>	Title: <b>AIM-Cambridge</b>	
	RoHS <input checked="" type="checkbox"/> (EU)/2015/863 COMPLIANT	Cage Code N/A	Drawing No. <b>40-9538M-CUST</b>
UNLESS OTHERWISE SPECIFIED: X ± 3 .X ± 3 .XX ± 10	3RD ANGLE PROJECTION 	Drawn by: <b>Tommy Ren</b>	Rev. <b>1</b>
Date:	Size: DO NOT SCALE	Workmanship Std:	