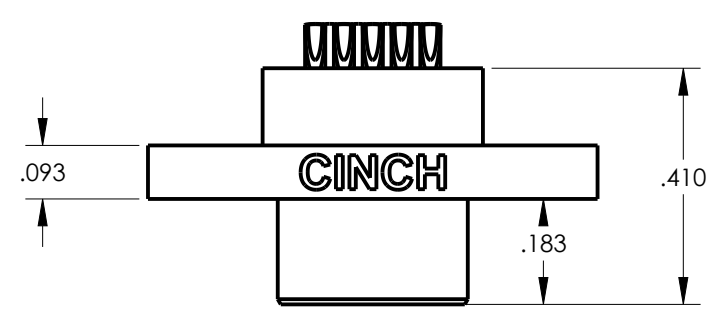
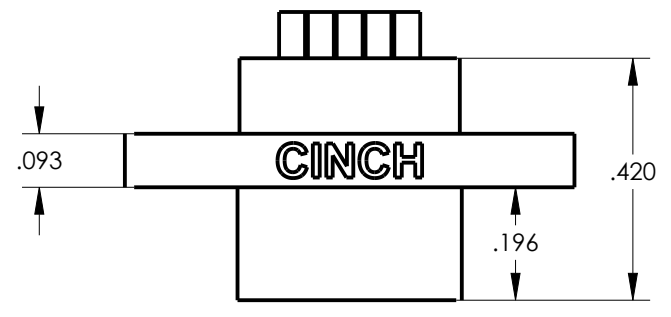
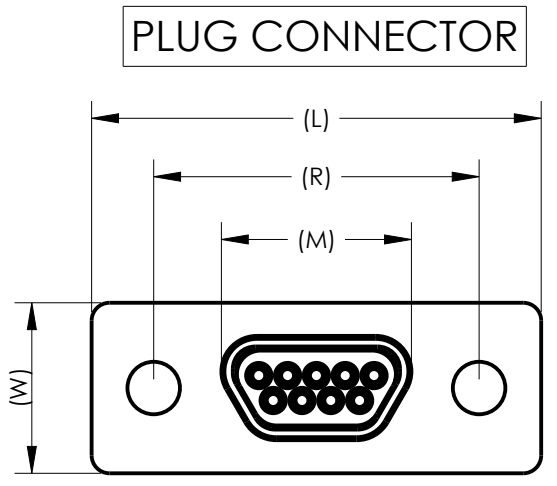
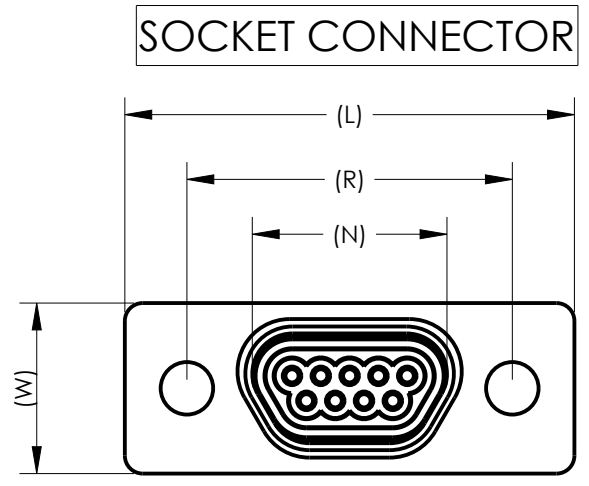


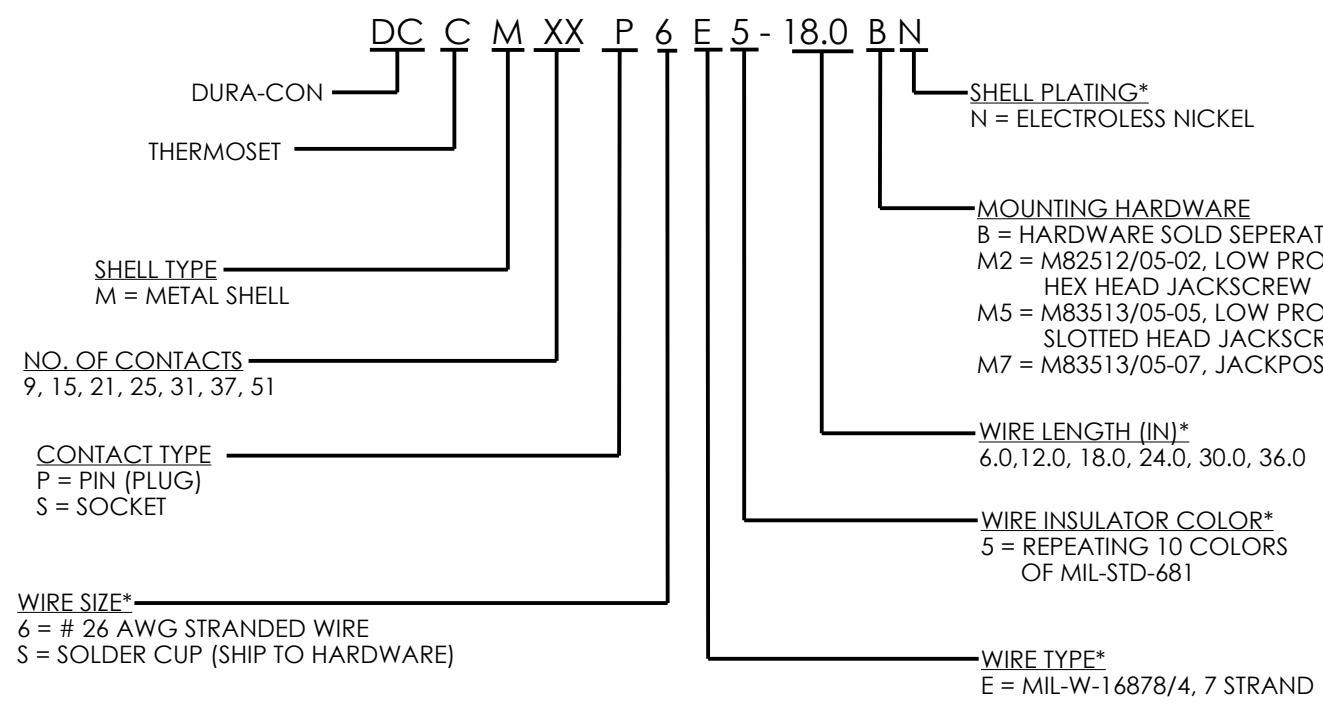
DRAWING REVISIONS (RELEASE DATE ON FILE)			
REV	DOCUMENT	APP	APPROVAL DATE
01	SALES DRAWING	JW	2/3/25



- Notes:
1. DIMENSIONS ARE FOR REFERENCE ONLY
  2. CUSTOMER DRAWING ONLY, NOT USED FOR CINCH MANUFACTURE
  3. PART MARK CONNECTOR WITH CINCH
  4. ALL OTHER DETAILS AND DIMENSIONS IAW MIL-DTL-83513 OR CINCH DURA-CON CATALOGUE

CONNECTOR SIZE	L	M	N	R	W
9P	.775	.334		.565	.298
15P	.925	.484		.715	.298
21P	1.075	.634		.865	.298
25P	1.175	.734		.965	.298
31P	1.325	.884		1.115	.298
37P	1.475	1.034		1.265	.298
51P	1.425	.984		1.215	.341
9S	.775		.334	.565	.298
15S	.925		.484	.715	.298
21S	1.075		.634	.865	.298
25S	1.175		.734	.965	.298
31S	1.325		.884	1.115	.298
37S	1.475		1.034	1.265	.298
51S	1.425		.984	1.215	.341

**SALES-CODE NOMENCLATURE**



\*CONSULT FACTORY FOR ADDITIONAL SIZES

UNITS: ENGLISH INCHES		PRO/E	MODELED BY:
DO NOT SCALE DRAWING	DESIGN ENGINEER: J. WARRAICH	DATE: 2/3/26	TITLE: MICRO-D METAL SHELL ASSEMBLIES W/ MIL HARDWARE
UNLESS OTHERWISE SPECIFIED: ALL DIMENSIONS ARE IN INCHES	MATERIAL: DURACON_HARDWARE_OPT		CONTROL SPEC NUMBER:
FILLET/RADII: .02 MAX.	TOLERANCES: .X ± .1, .XX ± .01, .XXX ± .005, ANGULAR ± .5°	MATERIAL SPEC NUMBER:	PROJECT NUMBER:
CONFIDENTIAL: THIS DOCUMENT IS THE PROPERTY OF CINCH. NEITHER THIS DOCUMENT NOR ANY OF THE INFORMATION CONTAINED IN IT MAY BE DUPLICATED OR DISCLOSED WITHOUT PRIOR WRITTEN CONSENT OF CINCH. ©COPYRIGHT CINCH	APPROVALS ON FILE		DRAWING NUMBER: DURACON_HARDWARE_OPT
CAGE IDENT NO.: 71785		SCALE: 3:1	SHEET 1 OF 1