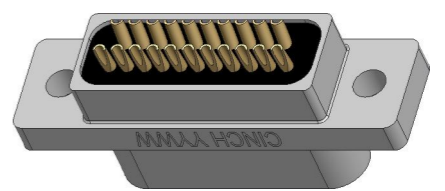
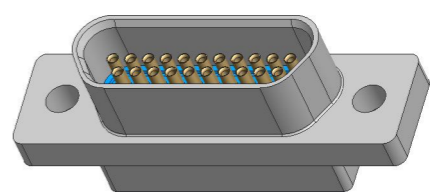


SKT 1

Ø 2,39 MAX.(2)

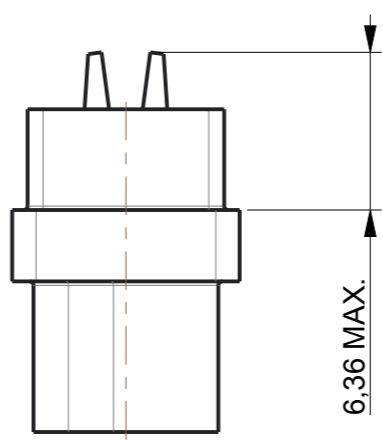


SCALE 2:1

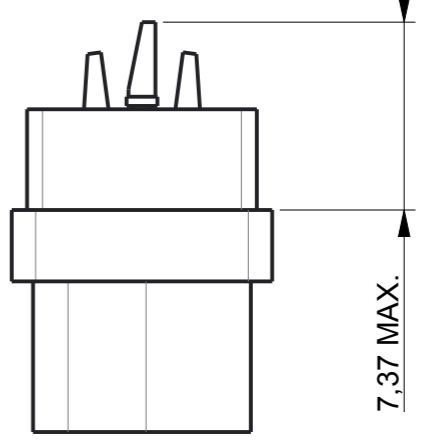


SCALE 2:1

51W CONTACT ARRANGEMENT



6,36 MAX.



7,37 MAX.

NOTES:

- DIMENSIONS ARE FOR REFERENCE ONLY
- CUSTOMER DRAWING ONLY. NOT USED FOR CINCH MANUFACTURE.
- PART MARK CONNECTORS WITH CINCH AND DATE-CODE.

MATERIAL SPECIFICATIONS:

- CONNECTOR SHELL: >ASTM ALLOY< SAE-AMS-QQ-A-250. ELECTROLESS Ni PER SAE AMS-C-26074.
- CONTACT (FEMALE SOCKETS): >Cu ALLOY<. Au PER MIL-DTL-45204, TYPE 1.
- INSULATOR: >PBT< PER MIL-M-24519.
- INTERFACIAL GASKET: >FVMQ< PER MIL-R-25988 OR >PMQ< PER ZZ-R-765.
- DUSTCAP: >LDPE< OR ANTI-STATIC >HDPE<.

GENERAL SPECIFICATIONS:

- ALL OTHER DETAILS AND DIMENSIONS TO BE AS PER MIL-DTL-83513 OR CINCH DURA-CON CATALOGUE.

PART NUMBER	SALES_CODE	L	N	R	S	W
DC00020000900N	DCDM-9SSBN	19,89	8,53	14,35	4,80	7,62
DC000200001500N	DCDM-15SSBN	23,70	12,34	18,16	4,80	7,62
DC000200002100N	DCDM-21SSBN	27,51	16,15	21,97	4,80	7,62
DC000200002500N	DCDM-25SSBN	30,05	18,89	24,51	4,80	7,62
DC000200003100N	DCDM-31SSBN	33,86	22,50	28,32	4,80	7,62
DC000200003700N	DCDM-37SSBN	37,67	26,31	32,13	4,80	7,62
DC00020000510NS	DCDM-51SSBN	36,40	52,04	30,86	5,92	8,71

THIS DRAWING IS COPYRIGHT AND IS ISSUED ON CONDITION IT IS NOT COPIED, REPRODUCED OR DISCLOSED TO A THIRD PARTY WITHOUT THE CONSENT IN WRITING OF Cinch CONNECTIVITY SOLUTIONS LTD. ATTENTION IS DRAWN TO THE FACT THE ARTICLE DISCLOSED MAY BE COVERED BY BRITISH OR FOREIGN PATENTS, GRANTED OR PENDING OR REGISTERED DESIGN.

APPD	DATE	NPNR ECN	ISSUE
	04-Mar-16	PRELIM.	A

GEN. TOLERANCES	2 DEC. PL.	1 DEC. PL.	0 DEC. PL.	ANGULAR	TOOL R. MAX.
	±0.1	±0.2	±0.5	±1	0.18

CODE	DESCRIPTION	ITEM	FINISH/MATL	QTY
7	HYSOL RESIN (BLACK)			
6	HYSOL HARDENER			
5	9-51W PLG/SKT DUSTCAP			
4	9-51W SOCKET SHELL			
3	9-51W SEALING GASKET			
2	9-51W SKT INSULATOR			
1	SPOT SKT CONTACT SHORT			21

TITLE	DRN	M.BARRACLOUGH	DATE	SCALE	4:1	CHD	NOT
MICROMINIATURE 9-51W SOCKET CONNECTOR ASSEMBLY SOLDERPOT			04-Mar-16			APPD	NOT

FINISHED HARDNESS	FINISH TREATMENT	COLOUR