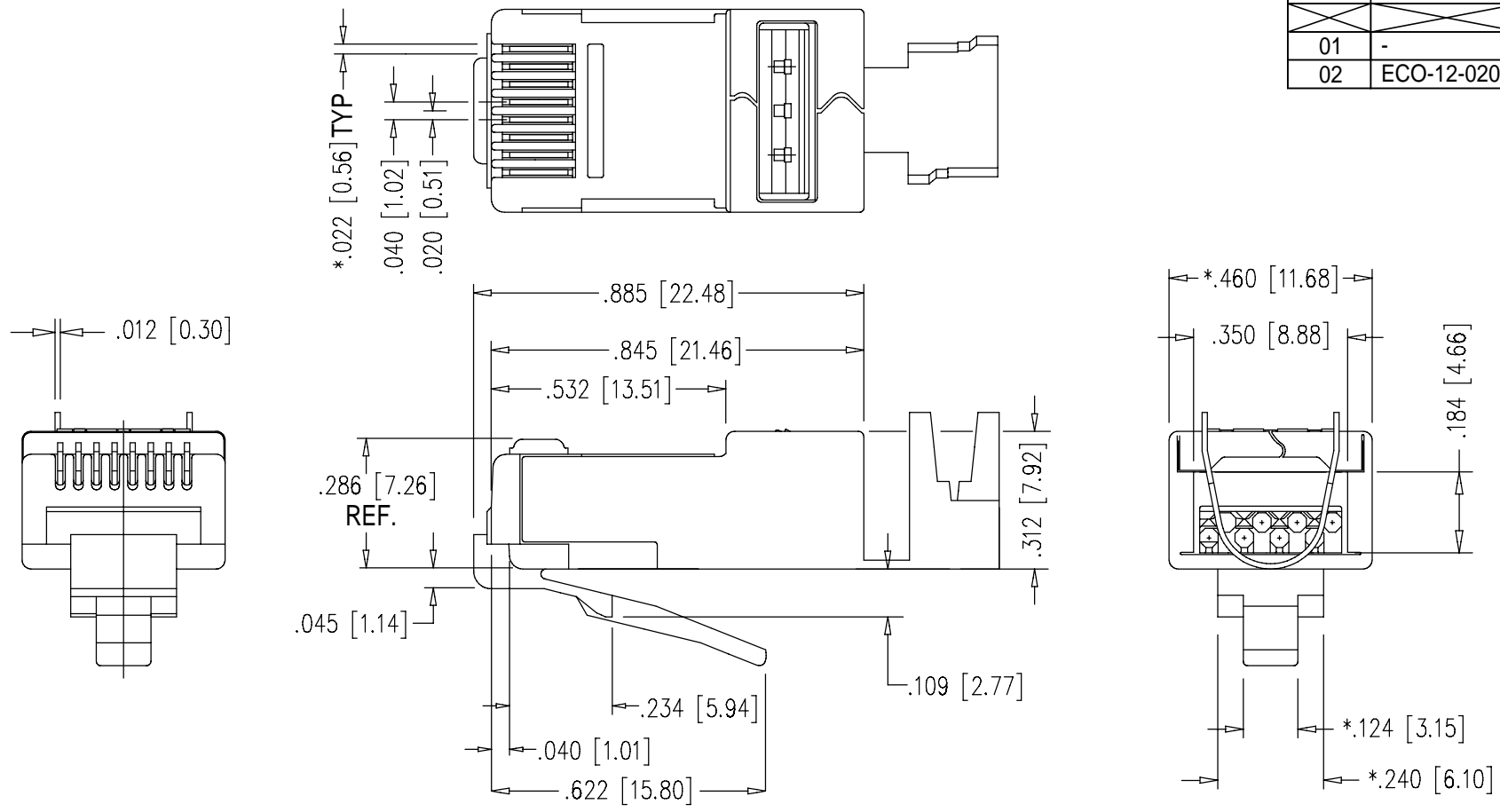


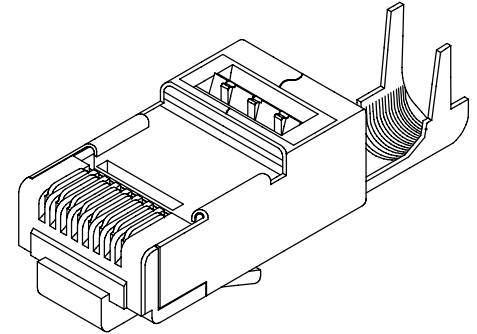
REV	ECO	DATE
01	-	2009/10/13
01	-	2009/10/13
02	ECO-12-0208	2012/08/14



DESCRIPTION: EIGHT CONDUCTOR MOD PLUG, SHIELD
PART NO.: 32-2298UL
PLUG TOLERANCE AND DIM: COMPLIES WITH F.C.C REQUIREMENTS
FLAME AND EXTINGUISH: 94-V0
OPERATION TEMPERATURE: -40 TO +85 DEG C
CONTACT RESISTANCE: 10 MILLIOHMS MAX.
CURRENT/VOLTAGE: 30 VAC/42 VDC AT 1.5 AMPS
MATERIAL: SHIELD .012 THK CDA-260 1/4 HARD BRASS
 100-150 MICRO-INCH TIN PLATED

HOUSING: POLYCARBONATE
CONTACT: PHOSPHOR BRONZE - .012 THK
 GOLD PLATED

TECHNICAL DETAIL: MEETS OR EXCEEDS CATEGORY 5e TIA/EIA 568-B.2



	Model No.	32-2298UL-CUST	AIM-Cambridge	
	RoHS (EU)/2015/863 COMPLIANT	Cage Code N/A	Title: EIGHT CONDUCTOR MOD PLUG, SHIELD	
	UNLESS OTHERWISE SPECIFIED UNITS: INCH	3RD ANGLE PROJECTION	Drawing No. 32-2298UL-CUST	
	X ±.02 .XX ±.008 .XXX ±.004 ANGLES ±.5°	Drawn by: TOMMY REN Date: 2022/08/31	Rev. 2 Size A DO NOT SCALE DRAWING	Workmanship Std: N/A Sheet 1 of 1