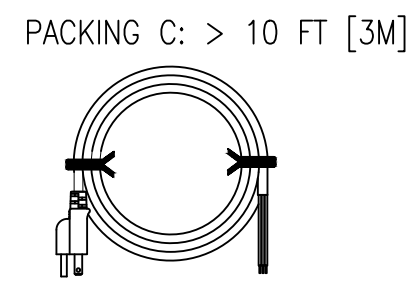
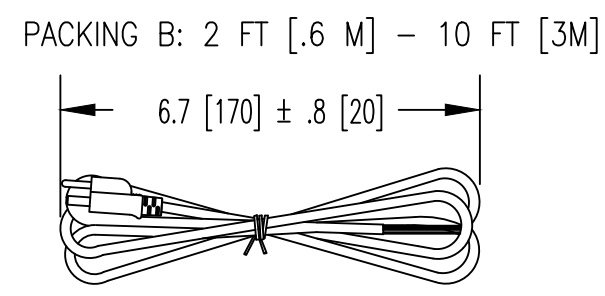
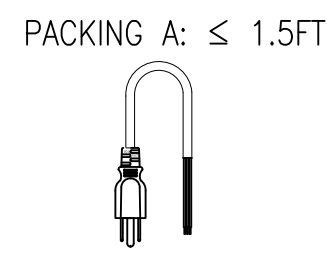
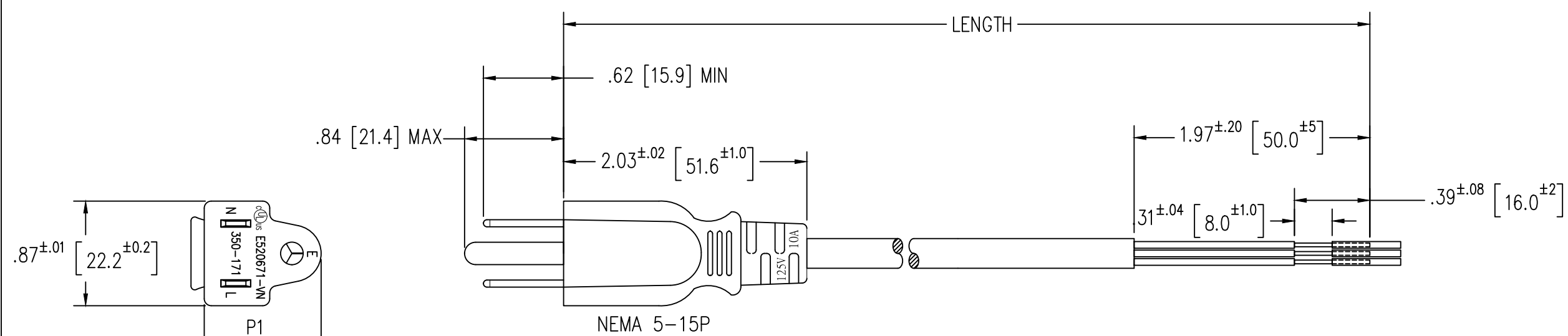
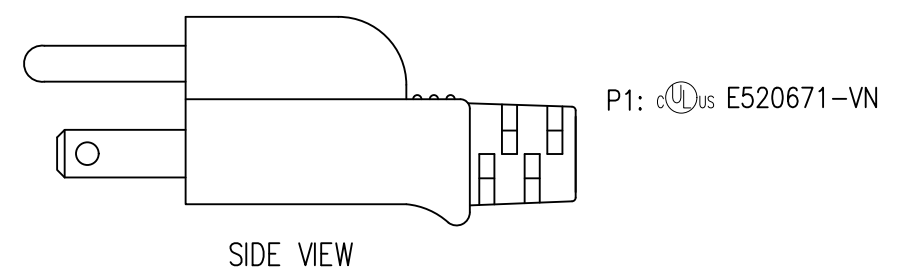


DATE	REV	ECN	APP'D. BY
10/07/21	A0	11857	AB
01/31/24	A1	12215	KAW



P1	STRIPPED JACKET 50mm
L	STRIPPED INSULATOR 16mm BLACK
N	STRIPPED INSULATOR 16mm WHITE
E	STRIPPED INSULATOR 16mm GREEN



P/N Key:

PC-A SL K xxx U

UNITS
M = METRIC
F = FEET

Length
010 M = 1 M
020 M = 2 M
030 M = 3 M

COLOR
K = BLACK

LEADS
SL = STRIPPED LEADS

CONNECTOR END TYPE
A = NEMA 5-15 P

PRODUCT FAMILY
PC = POWER CORDS

- NOTES:
- SPECIFICATIONS:
RATING: 10A 125V AC
CABLE TYPE: UL SVT 18AWG 3C, OD 6.3mm COLOR BLACK
CABLE MARKING: (UL) SVT 3/C 18AWG (0.824MM²) VW-1 75°C 300V E204978 C(UL)
SVT 3/C 0.824MM² (18AWG) FT2 60°C 300V E204978 MSL-VN-
END "P1": NEMA 5-15P, MOLDED PVC 35P, COLOR BLACK
ALL RELEVANT MATERIALS ARE COMPLIANT WITH RoHS DIRECTIVE.
 - APPROVALS: UL cUL
 - TESTING:
3.1. 100% CONTINUITY/SHORT
3.2. HIPOT INTERNAL 2KV LASTING 1 SEC; EXTERNAL 2.5 KV. LASTING 1 SEC
 - OPERATING TEMPERATURE: -4° F (-20° C) TO 140° F (60° C)
 - HUMIDITY RANGE 10-85% RH

P/N EXAMPLES

PART NUMBER	LENGTH
PC-ASLK010M	1 METER
PC-ASLK020M	2 METER
PC-ASLK030M	3 METER

<p>THIRD ANGLE PROJECTION</p>	<p>stewart CONNECTOR a bel group</p> <p>11118 Susquehanna Trail South Glen Rock, PA 17327-9199 (717) 235-7512 http://www.stewartconnector.com</p>						
<p>DRAWING IS SUBJECT TO CHANGE WITHOUT NOTICE</p> <p>Cable Length Unless Other Spec. Tolerances: 0 ~ 3.3 Ft [1M] ± .79 IN [20mm] 3.4 Ft [1.1M] ~ 5 Ft [1.5M] ± .98 IN [25mm] 5.1 Ft [1.6M] ~ 6.9 Ft [2M] ± 1.2 IN [30mm] 7.0 Ft [2.1M] ~ ↑ ± 1.6 IN [40mm] DO NOT SCALE DRAWING</p> <p>SHEET NO. 1 OF 1</p>	<p>TITLE: POWER SUPPLY CORDS NEMA 5-15P TO BLUNT (NON TINNED)</p> <p>THIS DRAWING AND THE SUBJECT MATTER SHOWN THEREON ARE CONFIDENTIAL AND THE PROPRIETARY PROPERTY OF STEWART CONNECTOR AND SHALL NOT BE REPRODUCED, COPIED, OR USED IN ANY MANNER WITHOUT PRIOR WRITTEN CONSENT OF STEWART CONNECTOR. ONE OR MORE U.S. PATENTS MAY APPLY TO THIS PRODUCT. FOR DETAILS, PLEASE VISIT: HTTP://BELFUSE.COM/STEWART/STEWART_PATENTS/</p> <table border="1"> <tr> <td>DRN BY: GWL</td> <td>DATE 9/16/21</td> </tr> <tr> <td>APPD BY: AB</td> <td>DATE 10/07/21</td> </tr> <tr> <td>DWG NO. CT999269</td> <td>REV. A1</td> </tr> </table>	DRN BY: GWL	DATE 9/16/21	APPD BY: AB	DATE 10/07/21	DWG NO. CT999269	REV. A1
DRN BY: GWL	DATE 9/16/21						
APPD BY: AB	DATE 10/07/21						
DWG NO. CT999269	REV. A1						

