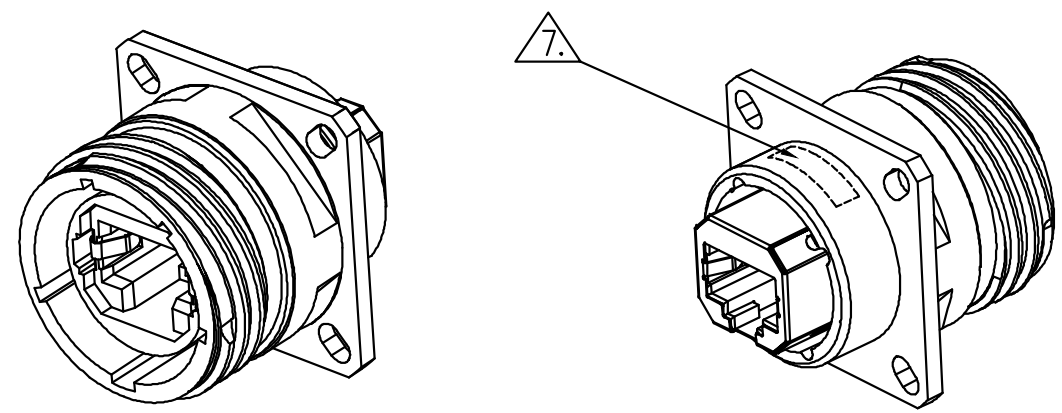
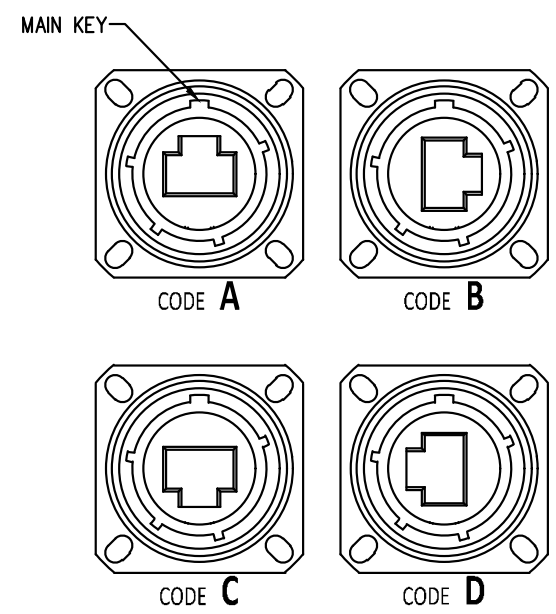


DATE	REV	ECN	APP'D. BY
05-22-23	A0	12182	KAW
10-30-23	A1	12267	KAW
11-22-23	A2	12275	KAW

SQUARE FLANGE RECEPTACLE CONNECTOR



RECEPTACLE CONNECTOR AS RECEIVED (ISOMETRIC VIEWS)



POLARIZATION CODES
USE REMOVAL TOOL P/N 2940262-01 IF RECODING IS NECESSARY

PART NUMBER KEY

S-RJFTV6A1702zzz1yy

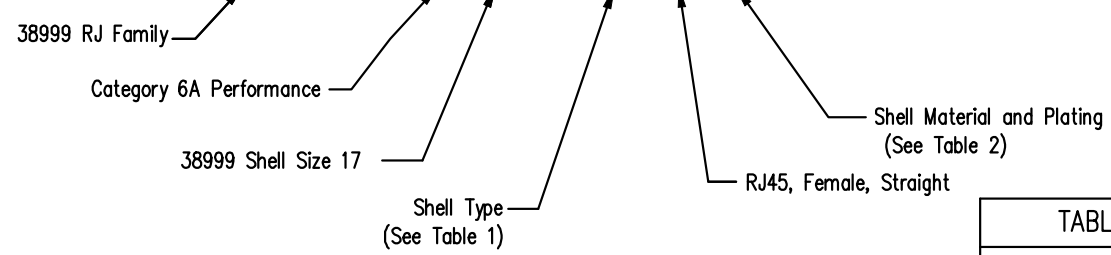


TABLE 1 – SHELL TYPE (02zzz)

Part Number	Description
02	Receptacle, Square flange
02BS	Receptacle, Square flange, IP68 Backshell, Plastic gland
02BSM	Receptacle, Square flange, IP68 Backshell, Metal gland

TABLE 2 – SHELL MATERIAL AND PLATING (yy)

Part Number	Description
G	Aluminum shell, Olive drab cadmium plating
N	Aluminum shell, Nickel plating (RoHS)
Q	Aluminum shell, Black zinc nickel plating (RoHS)
W	Aluminum shell, Gray nickel-PTFE plating (RoHS)
SS	Stainless steel, Passivated (RoHS)
BZ	Marine bronze (RoHS)

NOTES:

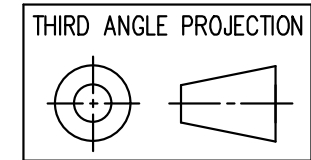
- CONNECTOR MATERIALS:
HOUSING: THERMOPLASTIC UL94 V-0
CONTACTS/SHIELD: COPPER ALLOY
CONTACT PLATING: 50 MICRO-INCHES [1.27um] SELECTIVE GOLD OR EQUIVALENT
SHELL MATERIAL AND PLATING: SEE PART NUMBER KEY AND TABLES
O-RING: THERMOPLASTIC ELASTOMER
- DESIGNED FOR CATEGORY 6A CHANNEL PERFORMANCE (CHANNELS UP TO 50M LONG USING ONLY 1 COUPLER) FOR RJ45 PRODUCT SPECIFICATIONS SEE PR040-01.
- RJ45 INTERFACE DIMENSIONS AND TOLERANCES COMPLY WITH TIA-1096 STANDARD.
- CIRCULAR SHELL COMPLIES WITH MIL-DTL-38999.
- STANDARD PRODUCT IS SUPPLIED ASSEMBLED TO POLARIZATION CODE A.
- CONNECTOR ASSEMBLY IS SUPPLIED WITHOUT CORDSET IF LENGTH DESIGNATOR IS BLANK.
- CIRCULAR CONNECTOR IS MARKED WITH DATE CODE IN THIS AREA.
- CIRCULAR CONNECTOR IS SUPPLIED WITH DUST CAPS.
- OPERATING TEMPERATURE: -40°C TO +85°C.

B

B

A

A



DO NOT SCALE DRAWING
DRAWING IS SUBJECT TO CHANGE WITHOUT NOTICE

TOLERANCES UNLESS OTHERWISE SPECIFIED
.X ± .1 [2.54]
.XX ± .01 [0.254]
.XXX ± .005 [0.127]
ANGULAR ± 1°

DIMENSIONS: INCHES [METRIC]
SHEET NO. 1 OF 3

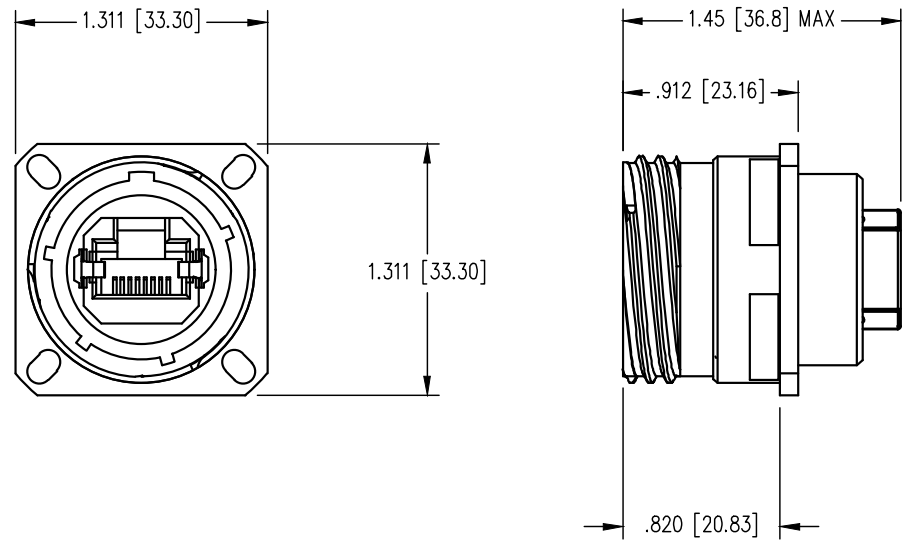


1118 Susquehanna Trail South
Glen Rock, PA 17327-9199
(717) 235-7512
<http://www.stewartconnector.com>

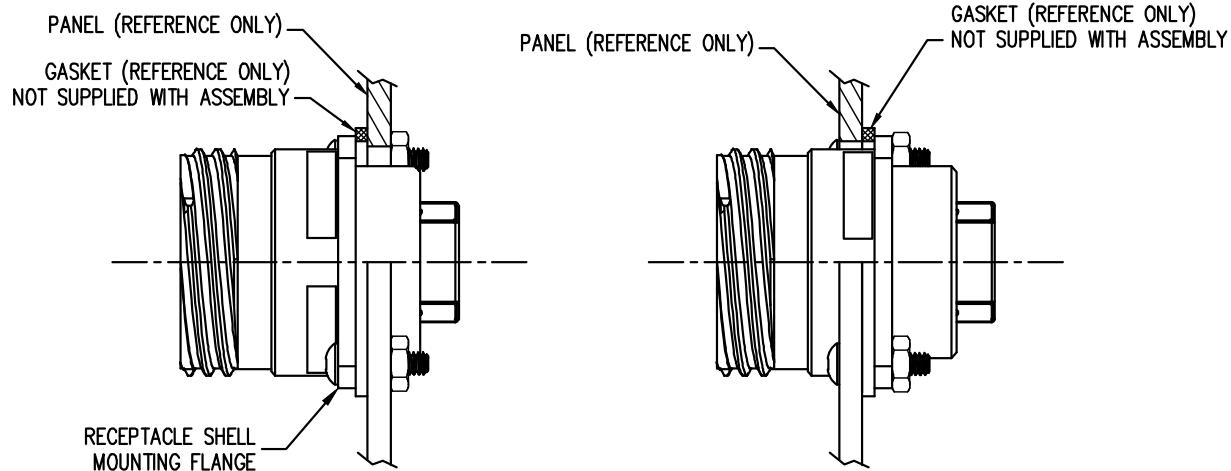
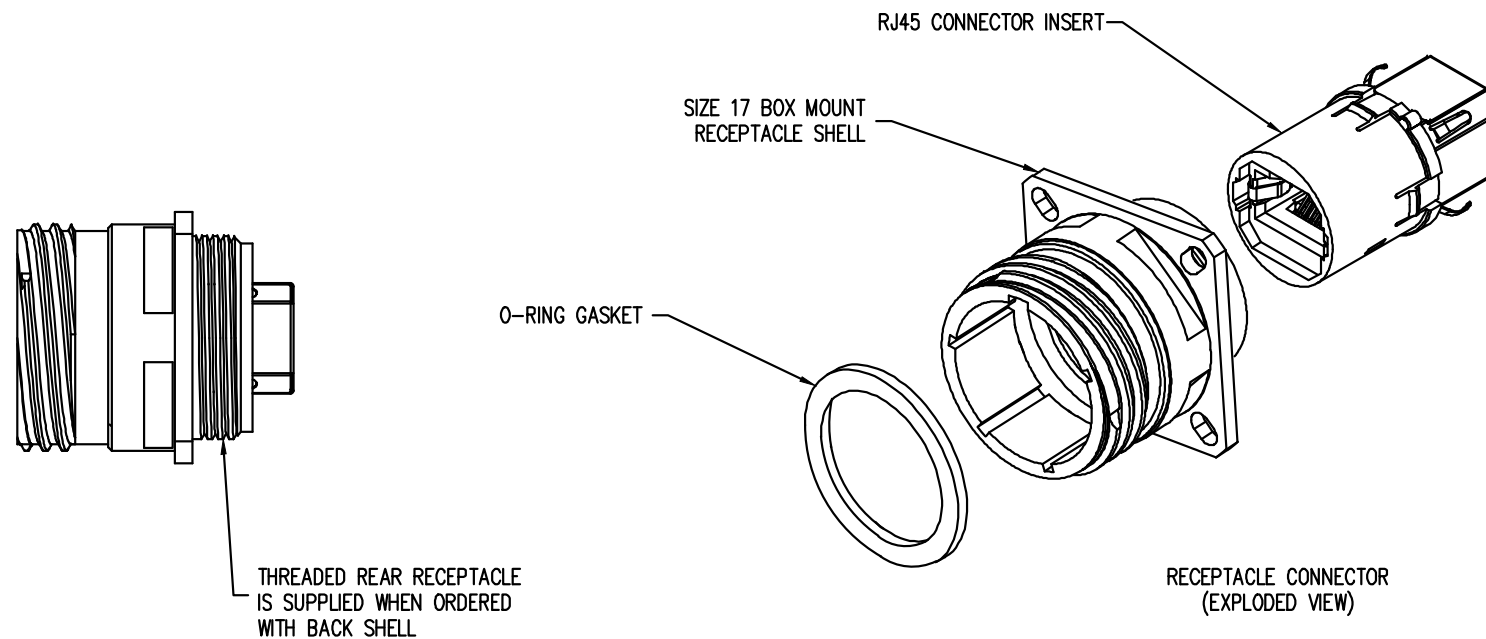
TITLE: CATEGORY 6A IP68 RECEPTACLE WITH RJ45 INSERT SIZE 17 38999 SQUARE FLANGE SHELL

THIS DRAWING AND THE SUBJECT MATTER SHOWN THEREON ARE CONFIDENTIAL AND THE PROPRIETARY PROPERTY OF STEWART CONNECTOR AND SHALL NOT BE REPRODUCED, COPIED, OR USED IN ANY MANNER WITHOUT PRIOR WRITTEN CONSENT OF STEWART CONNECTOR. ONE OR MORE U.S. PATENTS MAY APPLY TO THIS PRODUCT. FOR DETAILS, PLEASE VISIT: [HTTP://BELFUSE.COM/STEWART/STEWART_PATENTS/](http://BELFUSE.COM/STEWART/STEWART_PATENTS/)

DRN BY: ARC	DATE: 05-19-23
APPD BY: KAW	DATE: 05-22-23
DWG NO. CT600210	REV. A2

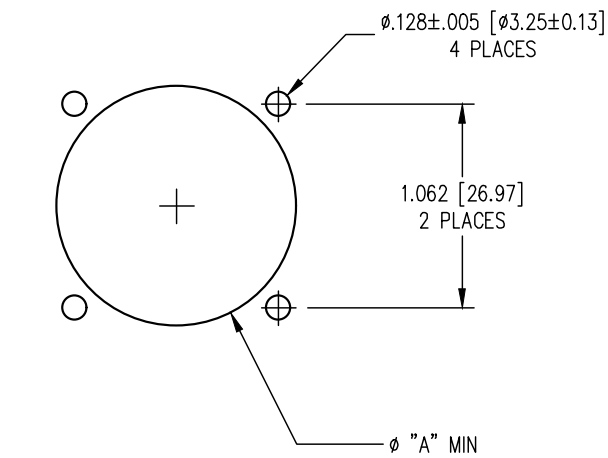


ASSEMBLED DIMENSIONS
(POLARIZATION CODE A SHOWN)



FRONT PANEL MOUNTING

REAR PANEL MOUNTING

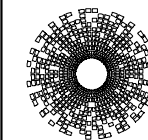
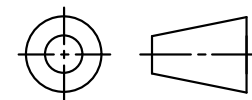


PANEL CUTOUT
.125 [3.2] MAX PANEL THICKNESS

TABLE 3 - PANEL CUTOUT	
Panel Mounting Side	"A" Diameter Inches [mm]
Front	1.016 [25.81]
Rear	1.219 [30.96]

If back shell is used when front mounting, Dim "A" = 1.219 [30.96]

THIRD ANGLE PROJECTION



stewart
CONNECTOR
a bel group

11118 Susquehanna Trail South
Glen Rock, PA 17327-9199
(717) 235-7512

<http://www.stewartconnector.com>

DO NOT SCALE DRAWING
DRAWING IS SUBJECT TO
CHANGE WITHOUT NOTICE

TITLE: CATEGORY 6A IP68 RECEPTACLE WITH RJ45 INSERT
SIZE 17 38999 SQUARE FLANGE SHELL

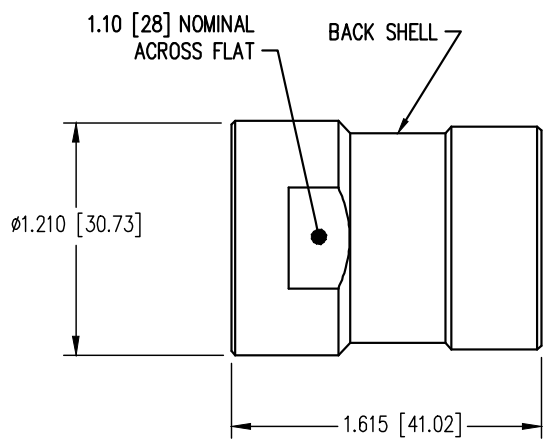
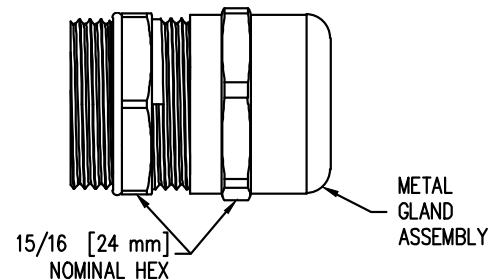
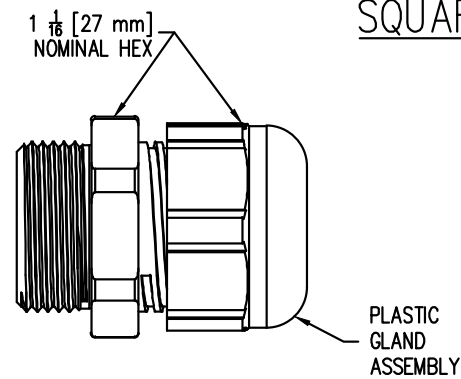
TOLERANCES UNLESS OTHERWISE SPECIFIED
.X ± .1 [2.54]
.XX ± .01 [0.254]
.XXX ± .005 [0.127]
ANGULAR ± 1°

DIMENSIONS: INCHES [METRIC]
SHEET NO. 2 OF 3

THIS DRAWING AND THE SUBJECT MATTER SHOWN THEREON ARE CONFIDENTIAL AND THE PROPRIETARY PROPERTY OF STEWART CONNECTOR AND SHALL NOT BE REPRODUCED, COPIED, OR USED IN ANY MANNER WITHOUT PRIOR WRITTEN CONSENT OF STEWART CONNECTOR. ONE OR MORE U.S. PATENTS MAY APPLY TO THIS PRODUCT. FOR DETAILS, PLEASE VISIT: [HTTP://BELFUSE.COM/STEWART/STEWART_PATENTS/](http://BELFUSE.COM/STEWART/STEWART_PATENTS/)

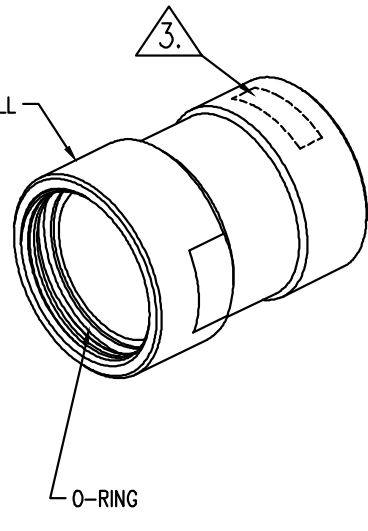
DRN BY: ARC	DATE 05-19-23
APPD BY: KAW	DATE 05-22-23
DWG NO. CT600210	REV. A2

SQUARE FLANGE RECEPTACLE CONNECTOR WITH BACK SHELL, SEALING GLAND, AND CORD SET



RECEPTACLE ASSEMBLY WITH PANEL GASKET SHOWN FOR REFERENCE

BACK SHELL



PART NUMBER KEY

S-RJFTV6A1702zzz1yyxx

38999 RJ Family

Category 6A Performance

38999 Shell Size 17

Cord set Length (Meters) (See Table 4)

Shell Material and Plating (See Table 2)

RJ45, Female, Straight

Shell Type (See Table 1)

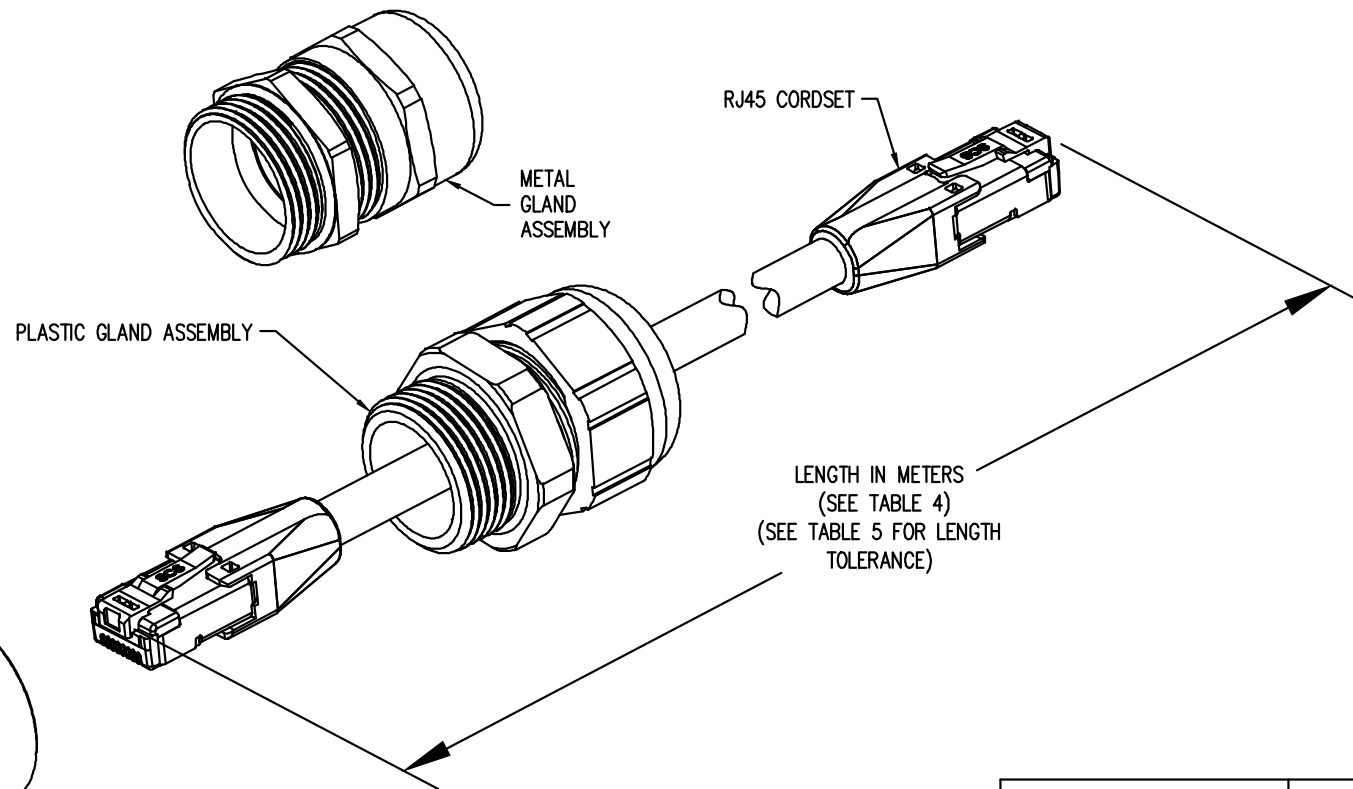
TABLE 4 - CORD SET LENGTH (xx)

Part Number	Standard Length (Meters) [Inches]
03	0.3 [11.8]
05	0.5 [19.7]
10	1.0 [39.4]
15	1.5 [59.1]

For lengths not shown follow part number key format. Supplied without cord set if designator is blank.

TABLE 5 - CORD SET LENGTH TOLERANCE

Cordset Length = Meters [inches]	Tolerance = MM [inches]
0.5 [19.7] TO 2.5 [98.4]	+100 [3.90] / -0 [0.00]
3.0 [118] TO 10 [394]	+150 [5.91] / -0 [0.00]



NOTES:

1. SEALING GLAND RECOMMENDED TORQUE VALUES:

PLASTIC GLAND:

GLAND TO SHELL = 44.3 In-Lbs [5 Nm]
GLAND TO CABLE = 29.2 In-Lbs [3.3 Nm]

METAL GLAND:

GLAND TO SHELL = 66.4 In-Lbs [7.5 Nm]
GLAND TO CABLE = 44.3 In-Lbs [5 Nm]

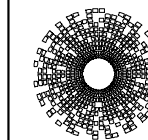
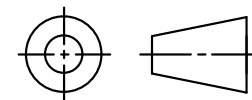
2. BACK SHELL TO RECEPTACLE RECOMMENDED TORQUE:
40 TO 50 INCH-POUNDS [4.5 TO 5.6 NEWTON-METERS]

3. CIRCULAR CONNECTOR ASSEMBLY IS MARKED WITH DATE CODE LOCATED IN THIS AREA.

4. CIRCULAR CONNECTOR IS SUPPLIED WITH DUST CAP(S).

5. OPERATING TEMPERATURE: -40°C TO +85°C.

THIRD ANGLE PROJECTION



stewart
CONNECTOR
a bel group

1118 Susquehanna Trail South
Glen Rock, PA 17327-9199
(717) 235-7512

http://www.stewartconnector.com

DO NOT SCALE DRAWING
DRAWING IS SUBJECT TO
CHANGE WITHOUT NOTICE

TITLE: CATEGORY 6A IP68 RECEPTACLE WITH RJ45 INSERT
SIZE 17 38999 SQUARE FLANGE SHELL

TOLERANCES UNLESS OTHERWISE SPECIFIED
.X ± .1 [2.54]
.XX ± .01 [0.254]
.XXX ± .005 [0.127]
ANGULAR ± 1°

DIMENSIONS: INCHES [METRIC]

THIS DRAWING AND THE SUBJECT MATTER SHOWN THEREON ARE CONFIDENTIAL AND THE PROPRIETARY PROPERTY OF STEWART CONNECTOR AND SHALL NOT BE REPRODUCED, COPIED, OR USED IN ANY MANNER WITHOUT PRIOR WRITTEN CONSENT OF STEWART CONNECTOR. ONE OR MORE U.S. PATENTS MAY APPLY TO THIS PRODUCT. FOR DETAILS, PLEASE VISIT: [HTTP://BELFUSE.COM/STEWART/STEWART_PATENTS/](http://BELFUSE.COM/STEWART/STEWART_PATENTS/)

DRN BY:	ARC	DATE	05-19-23
APPD BY:	KAW	DATE	05-22-23
DWG NO.	CT600210	REV.	A2

SHEET NO. 3 OF 3