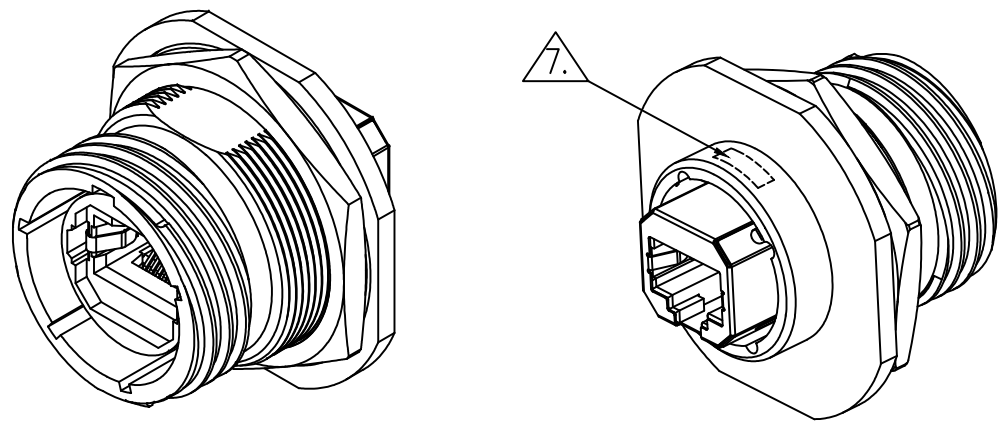
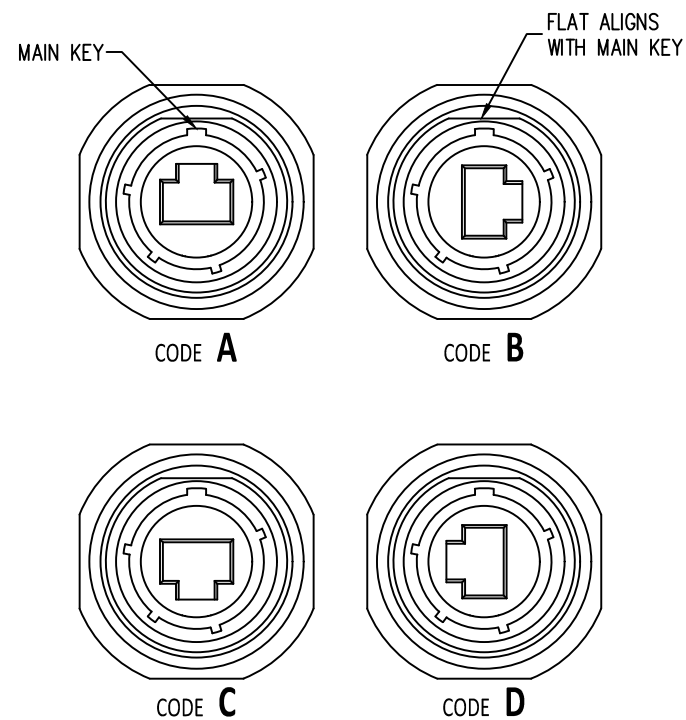


# JAM NUT RECEPTACLE CONNECTOR

DATE	REV	ECN	APP'D. BY
05-22-23	A0	12182	KAW
10-30-23	A1	12267	KAW
11-22-23	A2	12275	KAW



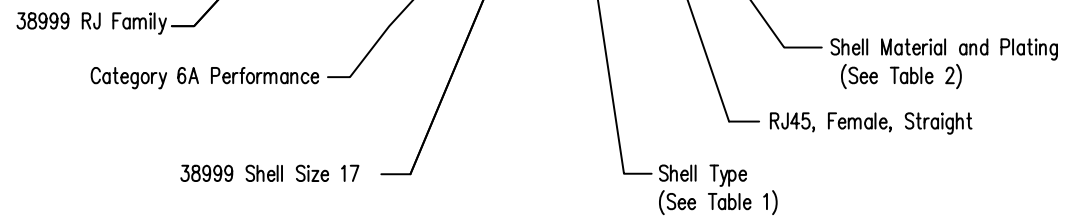
RECEPTACLE CONNECTOR  
AS RECEIVED  
(ISOMETRIC VIEWS)



POLARIZATION CODES  
USE REMOVAL TOOL P/N 2940262-01  
IF RECODING IS NECESSARY

## PART NUMBER KEY

**S-RJFTV6A1707zzz1yy**



### NOTES:

- CONNECTOR MATERIALS:  
HOUSING: THERMOPLASTIC UL94 V-0  
CONTACTS/SHIELD: COPPER ALLOY  
CONTACT PLATING: 50 MICRO-INCHES [1.27um] SELECTIVE GOLD OR EQUIVALENT  
SHELL MATERIAL AND PLATING: SEE CHART FOR PART NUMBER  
O-RING: THERMOPLASTIC ELASTOMER
- DESIGNED FOR CATEGORY 6A CHANNEL PERFORMANCE (CHANNELS UP TO 50M LONG USING ONLY 1 COUPLER) FOR RJ45 PRODUCT SPECIFICATIONS SEE PR040-01.
- RJ45 INTERFACE DIMENSIONS AND TOLERANCES COMPLY WITH TIA-1096 STANDARD.
- CIRCULAR SHELL COMPLIES WITH MIL-DTL-38999.
- STANDARD PRODUCT IS SUPPLIED ASSEMBLED TO POLARIZATION CODE A
- CONNECTOR ASSEMBLY IS SUPPLIED WITHOUT CORDSET IF LENGTH DESIGNATOR IS BLANK.
- CIRCULAR CONNECTOR IS MARKED WITH DATE CODE IN THIS AREA.
- CIRCULAR CONNECTOR IS SUPPLIED WITH DUST CAPS.
- OPERATING TEMPERATURE: -40°C TO +85°C.

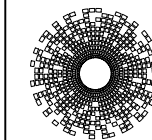
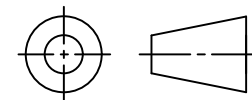
TABLE 1 - SHELL TYPE (07zzz)

Part Number	Description
07	Receptacle, Jamnut
07BS	Receptacle, Jamnut, IP68 Backshell, Plastic gland
07BSM	Receptacle, Jamnut, IP68 Backshell, Metal gland

TABLE 2 - SHELL MATERIAL AND PLATING (yy)

Part Number	Description
G	Aluminum shell, Olive drab cadmium plating
N	Aluminum shell, Nickel plating (RoHS)
Q	Aluminum shell, Black zinc nickel plating (RoHS)
W	Aluminum shell, Gray nickel-PTFE plating (RoHS)
SS	Stainless steel, Passivated (RoHS)
BZ	Marine bronze (RoHS)

### THIRD ANGLE PROJECTION



**stewart**  
CONNECTOR  
a bel group

1118 Susquehanna Trail South  
Glen Rock, PA 17327-9199  
(717) 235-7512

<http://www.stewartconnector.com>

DO NOT SCALE DRAWING  
DRAWING IS SUBJECT TO  
CHANGE WITHOUT NOTICE

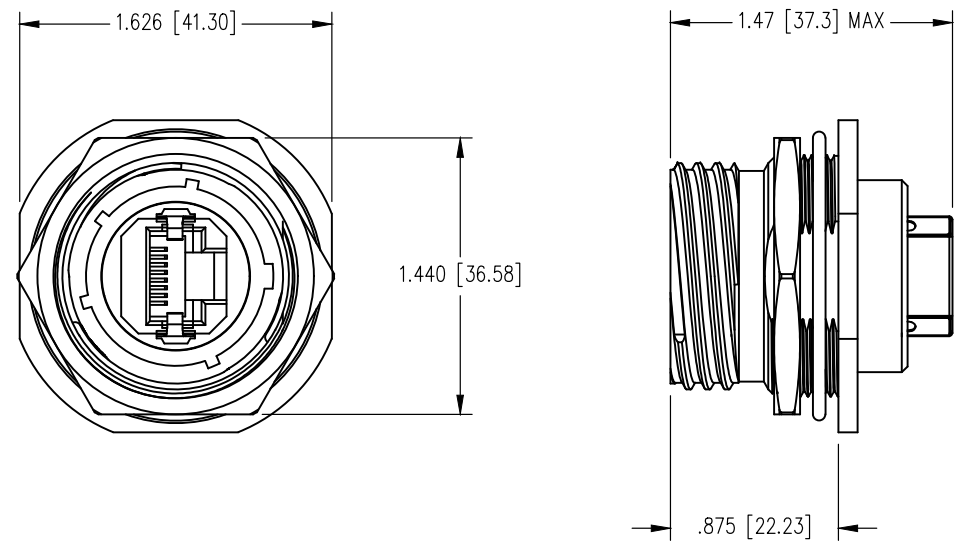
TITLE: CATEGORY 6A IP68 RECEPTACLE WITH RJ45 INSERT  
SIZE 17 38999 JAM NUT SHELL

TOLERANCES UNLESS  
OTHERWISE SPECIFIED  
.X ± .1 [2.54]  
.XX ± .01 [0.254]  
.XXX ± .005 [0.127]  
ANGULAR ± 1°

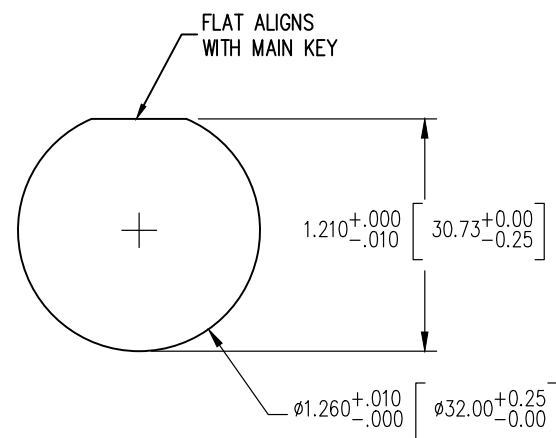
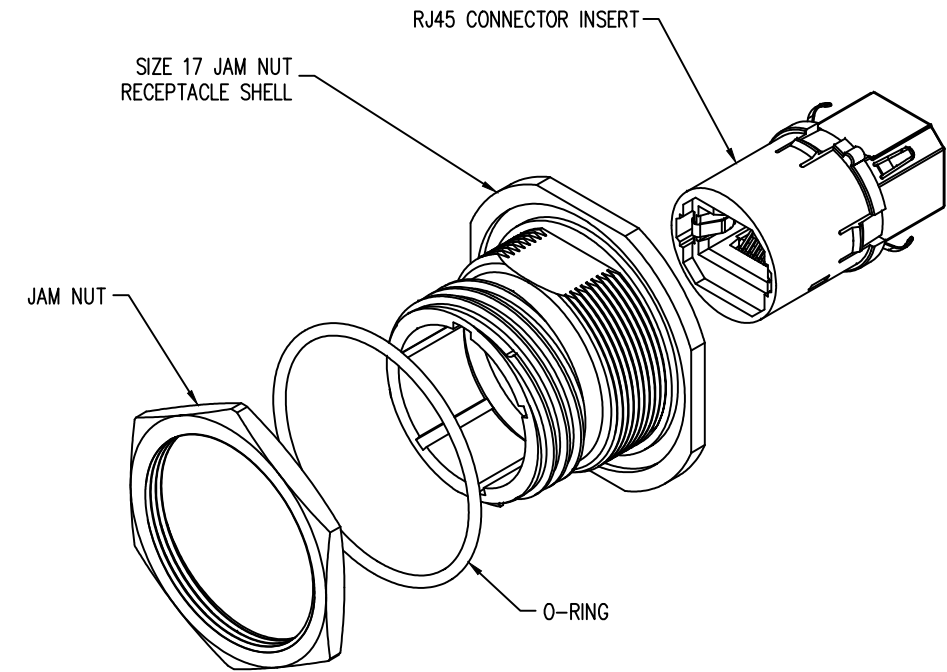
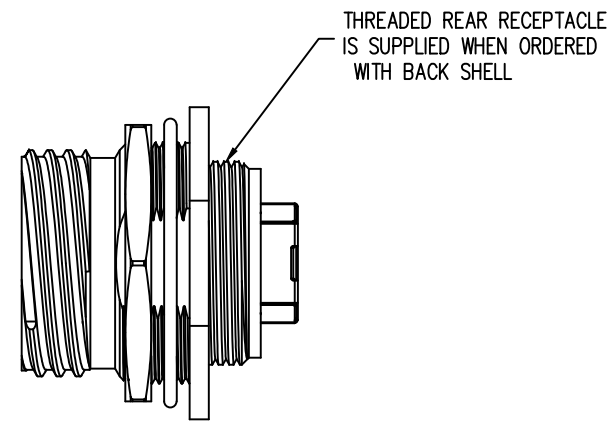
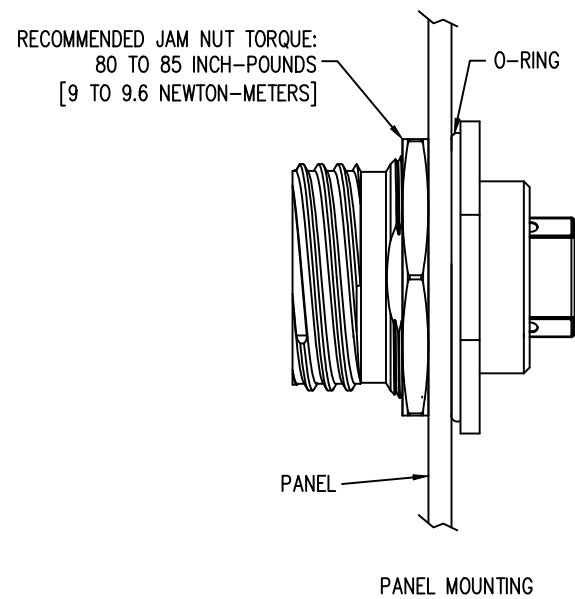
DIMENSIONS: INCHES [METRIC]  
SHEET NO. 1 OF 3

THIS DRAWING AND THE SUBJECT MATTER SHOWN THEREON ARE CONFIDENTIAL AND THE PROPRIETARY PROPERTY OF STEWART CONNECTOR AND SHALL NOT BE REPRODUCED, COPIED, OR USED IN ANY MANNER WITHOUT PRIOR WRITTEN CONSENT OF STEWART CONNECTOR. ONE OR MORE U.S. PATENTS MAY APPLY TO THIS PRODUCT. FOR DETAILS, PLEASE VISIT: [HTTP://BELFUSE.COM/STEWART/STEWART\\_PATENTS/](http://BELFUSE.COM/STEWART/STEWART_PATENTS/)

DRN BY:	ARC	DATE	05-19-23
APPD BY:	KAW	DATE	05-22-23
DWG NO.	CT600204	REV.	A2



ASSEMBLED DIMENSIONS  
(POLARIZATION CODE A SHOWN)



PANEL CUTOUT  
.125 [3.2] MAX PANEL THICKNESS

THIRD ANGLE PROJECTION 				11118 Susquehanna Trail South Glen Rock, PA 17327-9199 (717) 235-7512 <a href="http://www.stewartconnector.com">http://www.stewartconnector.com</a>	
DO NOT SCALE DRAWING DRAWING IS SUBJECT TO CHANGE WITHOUT NOTICE		TITLE: CATEGORY 6A IP68 RECEPTACLE WITH RJ45 INSERT SIZE 17 38999 JAM NUT SHELL			
DIMENSIONS: INCHES [METRIC]		THIS DRAWING AND THE SUBJECT MATTER SHOWN THEREON ARE CONFIDENTIAL AND THE PROPRIETARY PROPERTY OF STEWART CONNECTOR AND SHALL NOT BE REPRODUCED, COPIED, OR USED IN ANY MANNER WITHOUT PRIOR WRITTEN CONSENT OF STEWART CONNECTOR. ONE OR MORE U.S. PATENTS MAY APPLY TO THIS PRODUCT. FOR DETAILS, PLEASE VISIT: <a href="http://BELFUSE.COM/STEWART/STEWART_PATENTS/">HTTP://BELFUSE.COM/STEWART/STEWART_PATENTS/</a>		DRN BY: ARC	DATE 05-19-23
TOLERANCES UNLESS OTHERWISE SPECIFIED .X ± .1 [2.54] .XX ± .01 [0.254] .XXX ± .005 [0.127] ANGULAR ± 1°		SHEET NO. 2 OF 3	APPD BY: KAW	DATE 05-22-23	REV. A2
		DWG NO. CT600204			

# JAM NUT RECEPTACLE CONNECTOR WITH BACK SHELL, SEALING GLAND, AND CORD SET

## PART NUMBER KEY

**S-RJFTV6A1707zzz1yyxx**

38999 RJ Family  
 Category 6A Performance  
 38999 Shell Size 17  
 Shell Type (See Table 1)  
 RJ45, Female, Straight  
 Cordset Length (Meters) (See Table 3)  
 Shell Material and Plating (See Table 2)

TABLE 3 - CORD SET LENGTH (xx)

Part Number	Standard Length (Meters) [Inches]
03	0.3 [11.8]
05	0.5 [19.7]
10	1.0 [39.4]
15	1.5 [59.1]

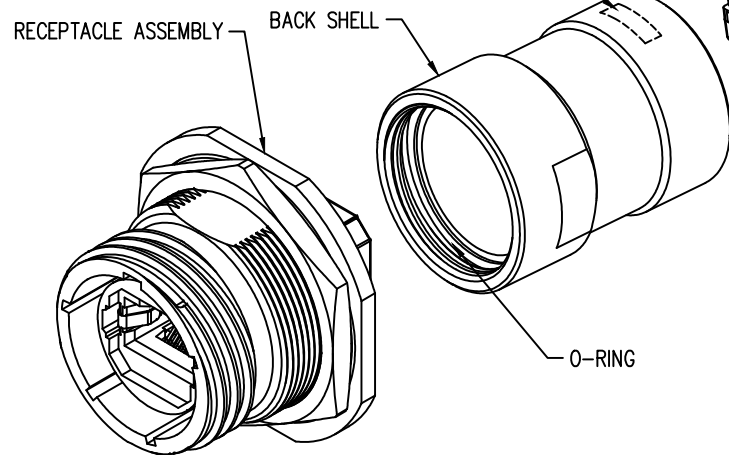
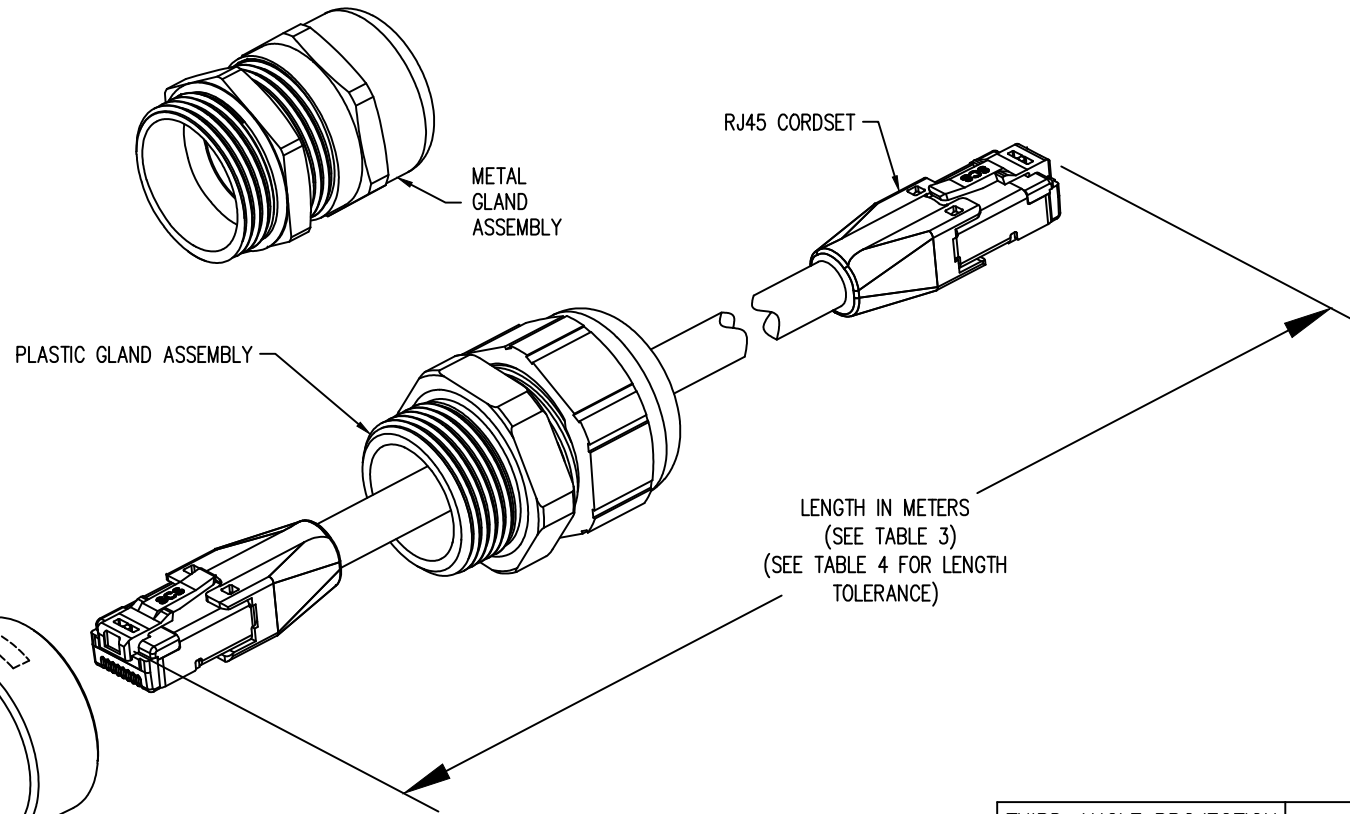
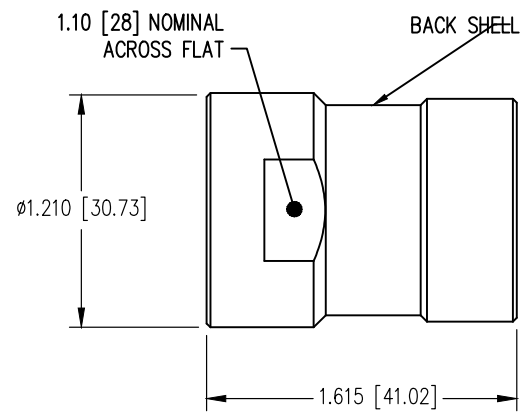
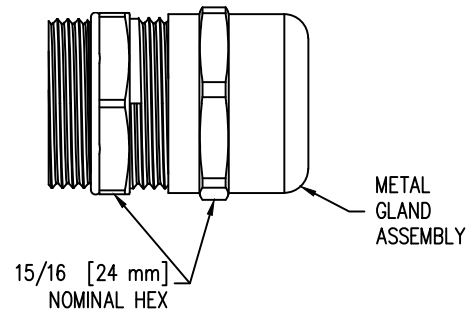
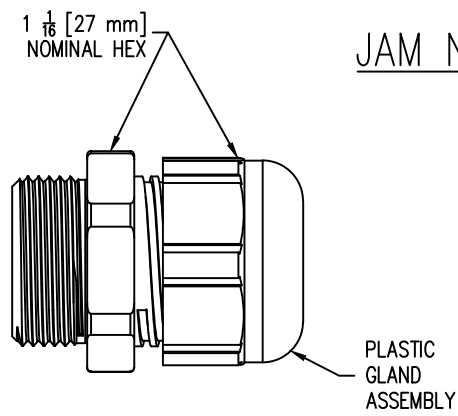
For lengths not shown follow part number key format. Supplied without cord set if designator is blank.

TABLE 4 - CORDSET LENGTH TOLERANCE

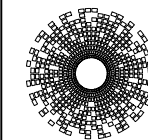
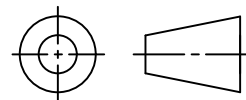
Cable Length = Meters [inches]	Tolerance = MM [inches]
0.5 [19.7] TO 2.5 [98.4]	+100 [3.90] / -0 [0.00]
3.0 [118] TO 10 [394]	+150 [5.91] / -0 [0.00]

**NOTES:**

- SEALING GLAND RECOMMENDED TORQUE VALUES:  
 PLASTIC GLAND:  
 GLAND TO SHELL = 44.3 In-Lbs [5 Nm]  
 GLAND TO CABLE = 29.2 In-Lbs [3.3 Nm]  
 METAL GLAND:  
 GLAND TO SHELL = 66.4 In-Lbs [7.5 Nm]  
 GLAND TO CABLE = 44.3 In-Lbs [5 Nm]
- BACK SHELL TO RECEPTACLE RECOMMENDED TORQUE:  
 40 TO 50 INCH-POUNDS [4.5 TO 5.6 NEWTON-METERS]
- CONNECTOR ASSEMBLY IS MARKED WITH DATE CODE LOCATED IN THIS AREA.
- CIRCULAR CONNECTOR IS SUPPLIED WITH DUST CAP(S).
- OPERATING TEMPERATURE: -40°C TO +85°C.



THIRD ANGLE PROJECTION



**stewart**  
**CONNECTOR**  
 a bel group

1118 Susquehanna Trail South  
 Glen Rock, PA 17327-9199  
 (717) 235-7512  
<http://www.stewartconnector.com>

DO NOT SCALE DRAWING  
 DRAWING IS SUBJECT TO CHANGE WITHOUT NOTICE

TITLE: CATEGORY 6A IP68 RECEPTACLE WITH RJ45 INSERT SIZE 17 38999 JAM NUT SHELL

TOLERANCES UNLESS OTHERWISE SPECIFIED  
 .X ± .1 [2.54]  
 .XX ± .01 [0.254]  
 .XXX ± .005 [0.127]  
 ANGULAR ± 1°

DIMENSIONS: INCHES [METRIC]  
 SHEET NO. 3 OF 3

THIS DRAWING AND THE SUBJECT MATTER SHOWN THEREON ARE CONFIDENTIAL AND THE PROPRIETARY PROPERTY OF STEWART CONNECTOR AND SHALL NOT BE REPRODUCED, COPIED, OR USED IN ANY MANNER WITHOUT PRIOR WRITTEN CONSENT OF STEWART CONNECTOR. ONE OR MORE U.S. PATENTS MAY APPLY TO THIS PRODUCT. FOR DETAILS, PLEASE VISIT: [HTTP://BELFUSE.COM/STEWART/STEWART\\_PATENTS/](http://BELFUSE.COM/STEWART/STEWART_PATENTS/)

DRN BY: ARC	DATE: 05-19-23
APPD BY: KAW	DATE: 05-22-23
DWG NO. CT600204	REV. A2