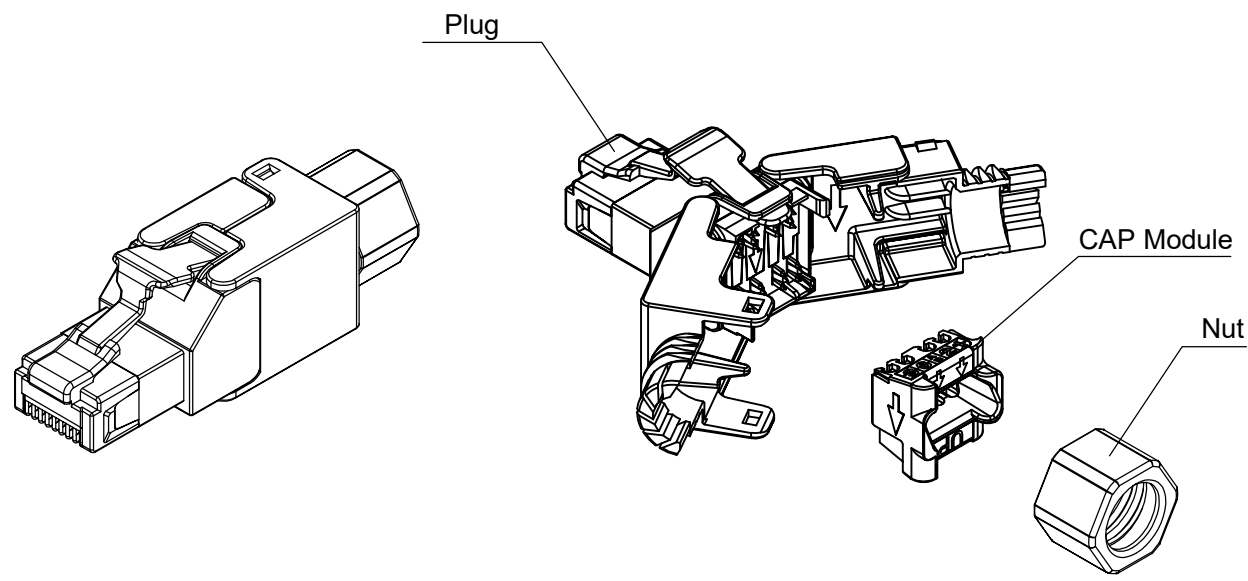


DATE	REV	ECN	APP'D. BY
10/22/20	A0	-	JME



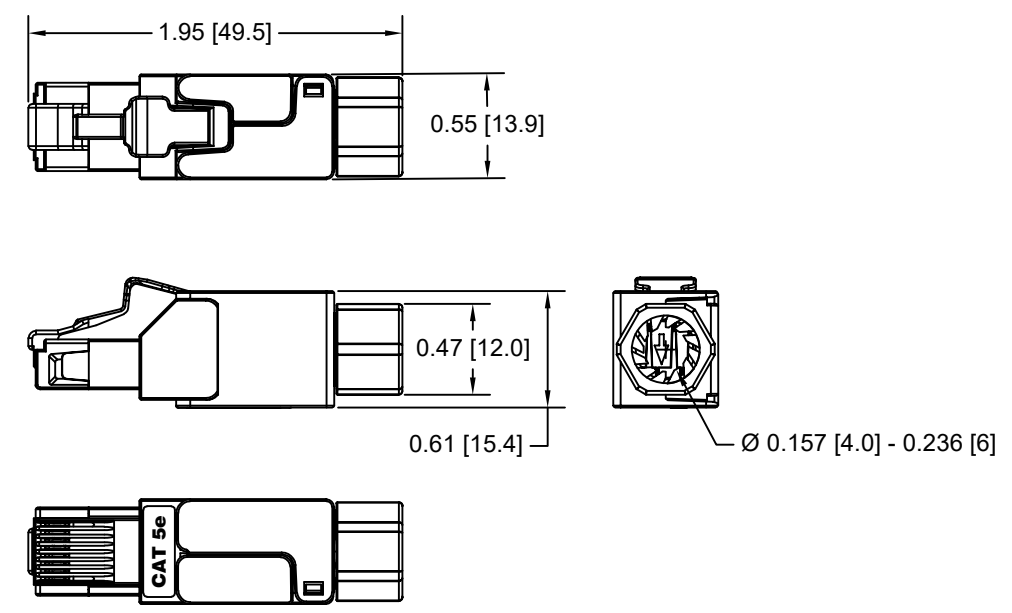
COMPONENTS		
ITEM	PART NAME	Q'TY
1	Plug	1
2	CAP Module	1
3	Nut	1

**TRANSMISSION PERFORMANCE**  
 Meet all requirements specified in Patch Cord requirement of:  
 ANSI/TIA-568.2-D, Category 5e

**ELECTRICAL**  
 Electrical Insulation Resistance : 500MΩ min. @100V d.c  
 Dielectric Withstanding Voltage : 1000V D.C or A.C Peak,  
 Contact to Contact

**MECHANICAL**  
 IDC Wire Gauge : 23 ~ 26 AWG

**PHYSICAL**  
 Housing : High-Impact, Flame-Retardant Plastic,  
 UL 94V-0  
 Contact pin : Phosphor Bronze Alloy Plated With  
 50 micro-inch of Gold  
 IDC : Phosphor Bronze Alloy With 100  
 micro-inch 100% Sn Alloy



BULK	50 MICRO-INCHES [1.27um]	SS-39300-013
PACKAGE	CONTACT PLATING IN MATING AREA	PART NUMBER

THIRD ANGLE PROJECTION		1118 Susquehanna Trail South Glen Rock, PA 17327-9199 (717) 235-7512 <a href="http://www.stewartconnector.com">http://www.stewartconnector.com</a>	
DO NOT SCALE DRAWING DRAWING IS SUBJECT TO CHANGE WITHOUT NOTICE		TITLE: CAT 5e PUNCH DOWN PLUG, UNSHIELDED, 23-26 AWG	
DIMENSIONS: INCHES [METRIC]	THIS DRAWING AND THE SUBJECT MATTER SHOWN THEREON ARE CONFIDENTIAL AND THE PROPRIETARY PROPERTY OF STEWART CONNECTOR AND SHALL NOT BE REPRODUCED, COPIED, OR USED IN ANY MANNER WITHOUT PRIOR WRITTEN CONSENT OF STEWART CONNECTOR. ONE OR MORE U.S. PATENTS MAY APPLY TO THIS PRODUCT. FOR DETAILS, PLEASE VISIT: <a href="http://BELFUSE.COM/STEWART/STEWART_PATENTS/">HTTP://BELFUSE.COM/STEWART/STEWART_PATENTS/</a>	DRN BY: BTS	DATE 10/22/20
UNLESS OTHERWISE SPECIFIED TOLERANCES ARE ±.005 [0.13] ANGLES ARE ± 1°		APPD BY: JME	DATE 10/22/20
SHEET NO. 1 OF 1		DWG NO. CT390236	REV. A0

