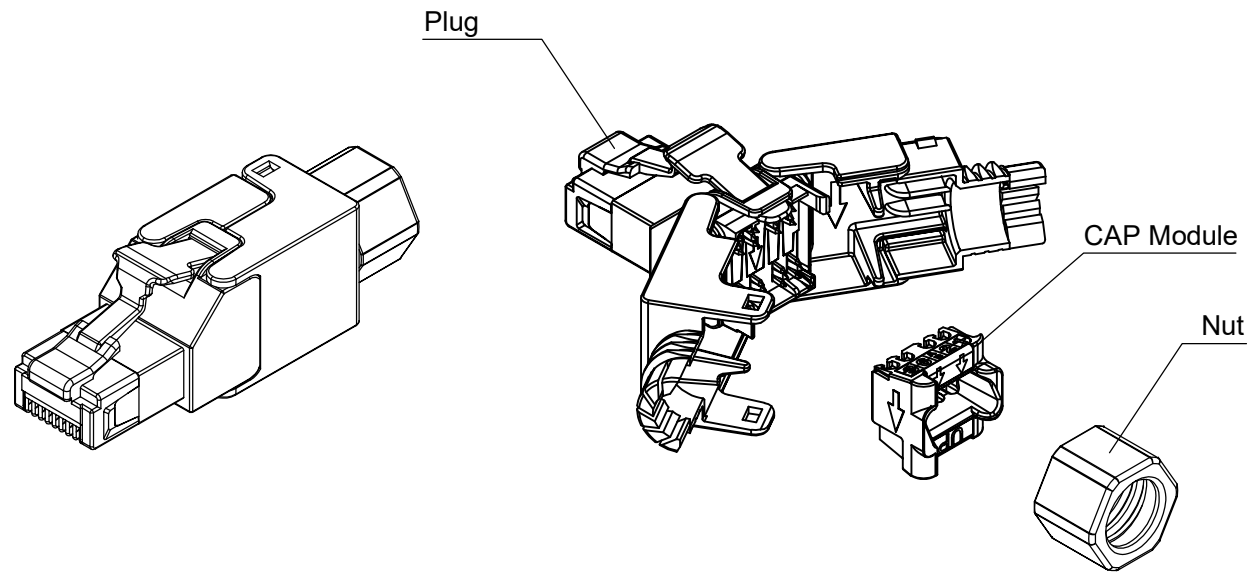


DATE	REV	ECN	APP'D. BY
10/22/20	A0	-	JME



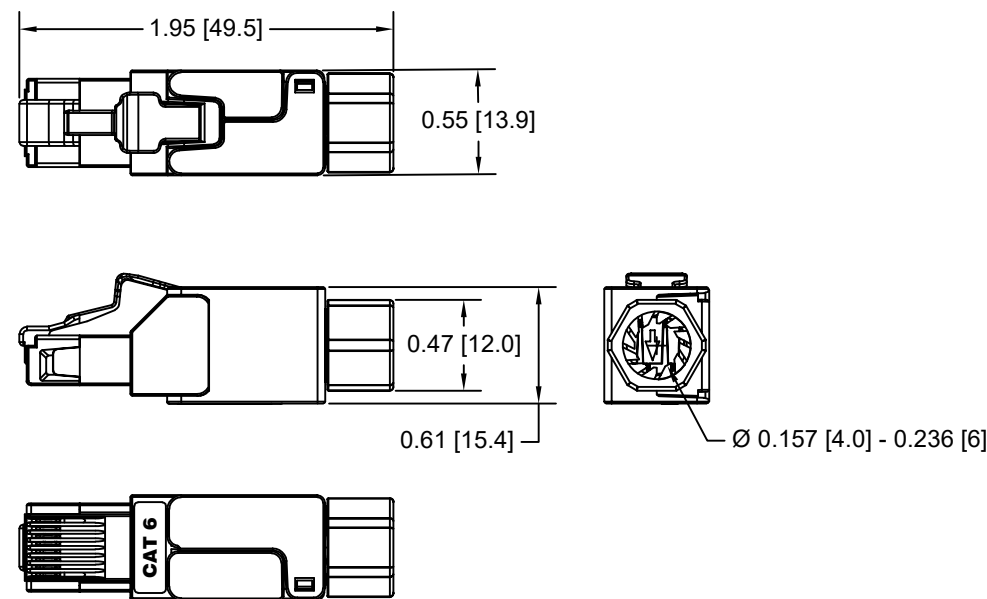
COMPONENTS		
ITEM	PART NAME	Q'TY
1	Plug	1
2	CAP Module	1
3	Nut	1

TRANSMISSION PERFORMANCE
 Meet all requirements specified in Patch Cord requirement of:
 ANSI/TIA-568.2-D, Category 6

ELECTRICAL
 Electrical Insulation Resistance : 500MΩ min. @100V d.c
 Dielectric Withstanding Voltage : 1000V D.C or A.C Peak,
 Contact to Contact

MECHANICAL
 IDC Wire Gauge : 23 ~ 26 AWG

PHYSICAL
 Housing : High-Impact, Flame-Retardant Plastic,
 UL 94V-0
 Contact pin : Phosphor Bronze Alloy Plated With
 50 micro-inch of Gold
 IDC : Phosphor Bronze Alloy With 100
 micro-inch 100% Sn Alloy



BULK	50 MICRO-INCHES [1.27um]	SS-39300-014
PACKAGE	CONTACT PLATING IN MATING AREA	PART NUMBER

THIRD ANGLE PROJECTION		1118 Susquehanna Trail South Glen Rock, PA 17327-9199 (717) 235-7512 http://www.stewartconnector.com	
DO NOT SCALE DRAWING DRAWING IS SUBJECT TO CHANGE WITHOUT NOTICE		TITLE: CAT 6 PUNCH DOWN PLUG, UNSHIELDED, 23-26 AWG	
DIMENSIONS: INCHES [METRIC]	THIS DRAWING AND THE SUBJECT MATTER SHOWN THEREON ARE CONFIDENTIAL AND THE PROPRIETARY PROPERTY OF STEWART CONNECTOR AND SHALL NOT BE REPRODUCED, COPIED, OR USED IN ANY MANNER WITHOUT PRIOR WRITTEN CONSENT OF STEWART CONNECTOR. ONE OR MORE U.S. PATENTS MAY APPLY TO THIS PRODUCT. FOR DETAILS, PLEASE VISIT: HTTP://BELFUSE.COM/STEWART/STEWART_PATENTS/	DRN BY: BTS	DATE 10/22/20
UNLESS OTHERWISE SPECIFIED TOLERANCES ARE ±.005 [0.13] ANGLES ARE ± 1°		APPD BY: JME	DATE 10/22/20
SHEET NO. 1 OF 1		DWG NO. CT390237	REV. A0

