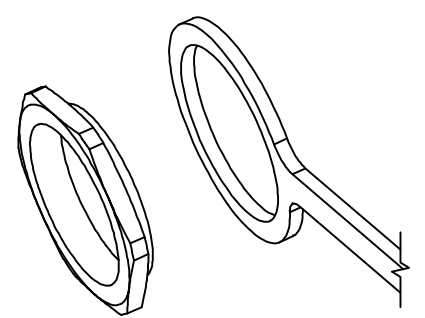
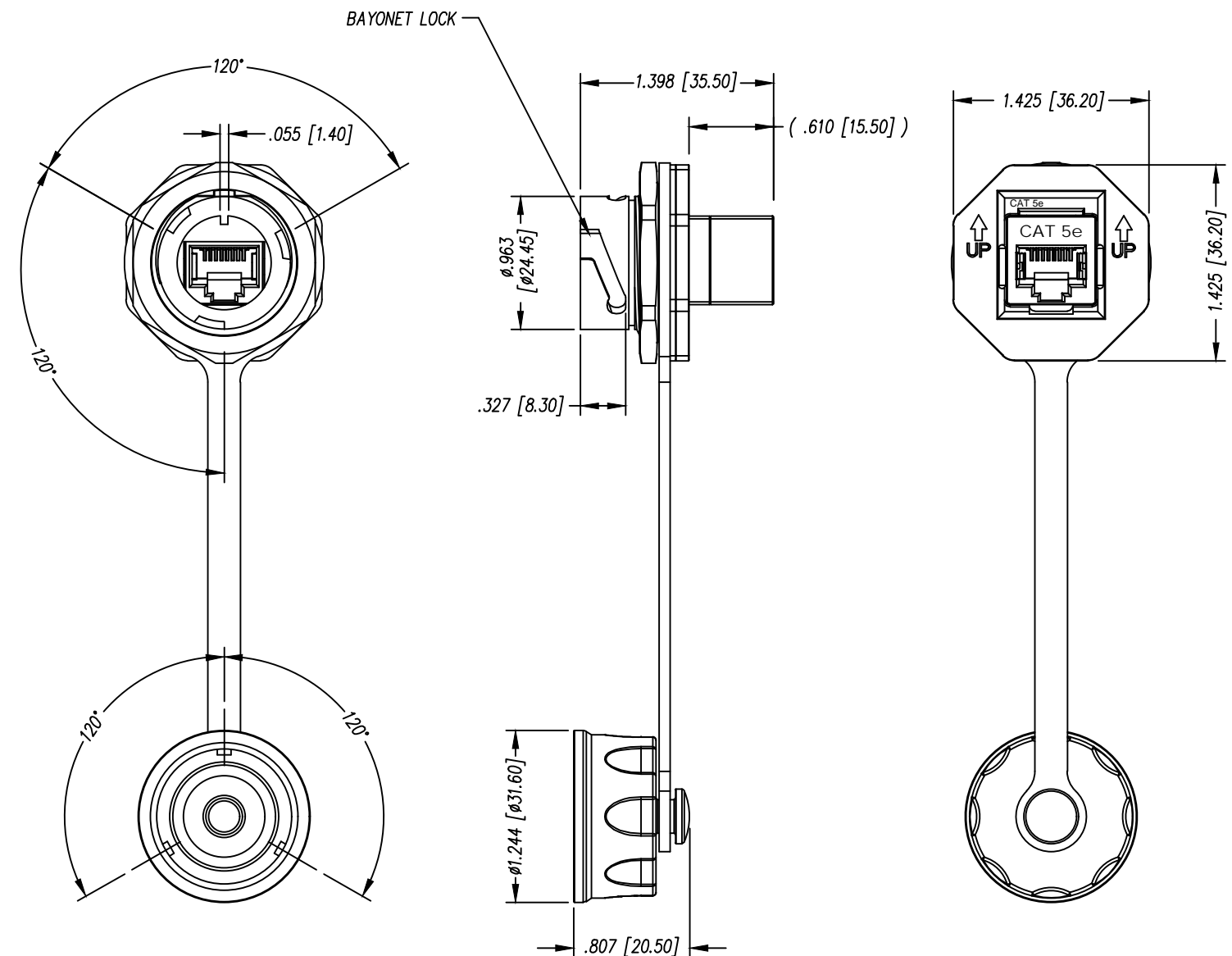
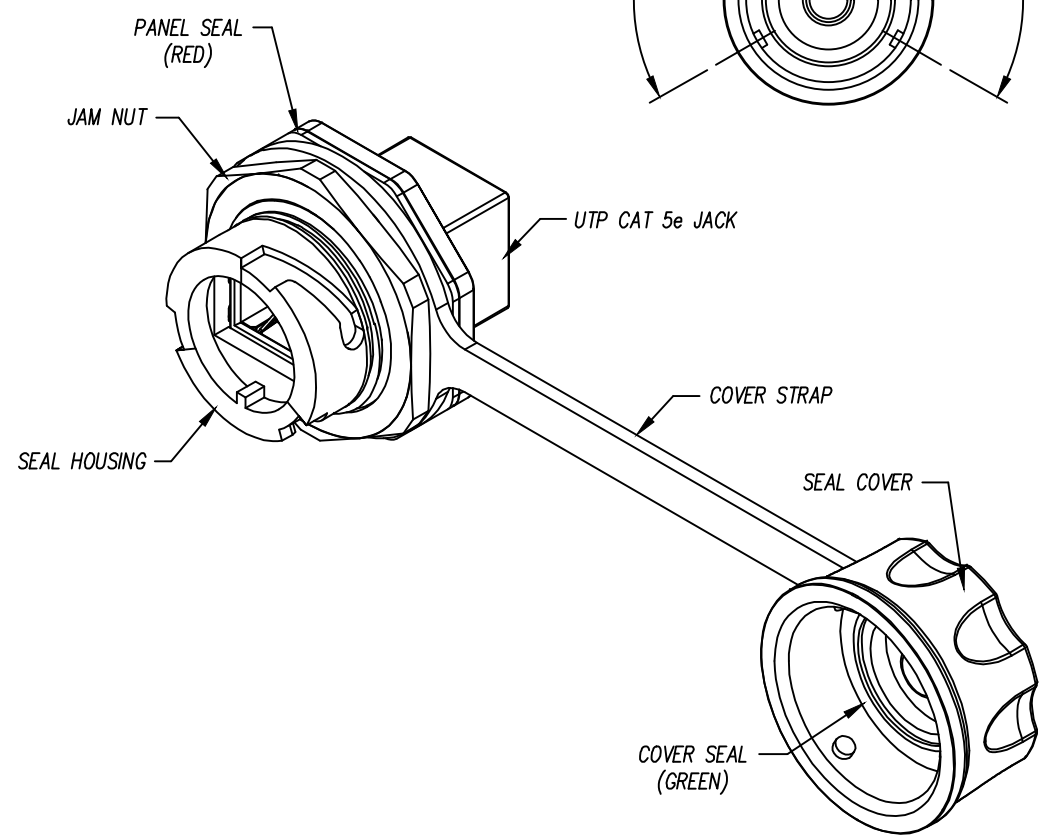


DATE	REV	ECN	APP'D. BY
9/2/22	A0	12037	JE
05/24/24	A1	12372	KAW



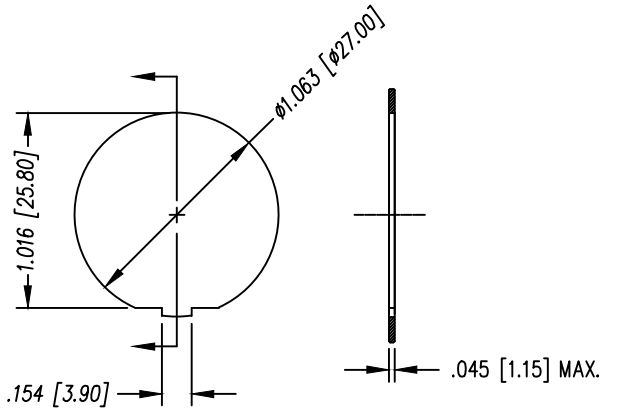
5 JAM NUT INSTALLATION ORIENTATION



NOTES:

- CONNECTOR MATERIALS:  
HOUSING: THERMOPLASTIC UL94 V-0  
CONTACTS: PHOSPHOR BRONZE
- JACK DIMENSIONS AND TOLERANCES COMPLY WITH TIA-1096 STANDARD.
- DESIGNED FOR CAT5/5e APPLICATIONS.
- INGRESS PROTECTION RATING IS IP67.
- FOR INSTALLATION, PLACE RED PANEL SEAL ON REAR SIDE OF PANEL. IF USING THE COVER STRAP, ENSURE STRAP OPENING IS ENCLOSED BY THE FLANGE OF THE NUT, AND NOT PINCHED. TIGHTEN NUT TO 26 TO 44 INCH-POUNDS [3 TO 5 NEWTON-METERS].
- ELECTRICAL PROPERTIES:  
INSULATION RESISTANCE: 500MΩ MIN. @ 100VDC  
DIELECTRIC WITHSTANDING VOLTAGE: 1000VDC OR VAC @ 60Hz FOR 1 MIN.

50 MICRO-INCHES [1.27μm]	SS-60400-031
CONTACT PLATING IN MATING AREA	PART NUMBER

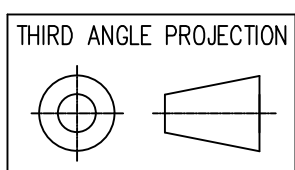


RECOMMENDED PANEL SPECIFICATION



UNLESS OTHERWISE SPECIFIED, TOLERANCES ARE:

INCH	MM	ANGULAR
.X ± .016	.X ± 0.2	X ± 1°
.XX ± .006	.XX ± 0.1	.X ± 0.5°
.XXX ± .004		



DO NOT SCALE DRAWING  
DRAWING IS SUBJECT TO CHANGE WITHOUT NOTICE

DIMENSIONS: INCHES [METRIC]  
SHEET NO. 1 OF 1

1118 Susquehanna Trail South  
Glen Rock, PA 17327-9199  
(717) 235-7512  
<http://www.stewartconnector.com>

TITLE: INDUSTRIAL UNSHIELDED COUPLER JACK IP67 (UTP) CAT 5e WITH EXTERIOR JACK LATCH

THIS DRAWING AND THE SUBJECT MATTER SHOWN THEREON ARE CONFIDENTIAL AND THE PROPRIETARY PROPERTY OF STEWART CONNECTOR AND SHALL NOT BE REPRODUCED, COPIED, OR USED IN ANY MANNER WITHOUT PRIOR WRITTEN CONSENT OF STEWART CONNECTOR. ONE OR MORE U.S. PATENTS MAY APPLY TO THIS PRODUCT. FOR DETAILS, PLEASE VISIT: [HTTP://BELFUSE.COM/STEWART/STEWART\\_PATENTS/](http://BELFUSE.COM/STEWART/STEWART_PATENTS/)

DRN BY: JMM	DATE 9/2/22
APPD BY: JE	DATE 9/2/22
DWG NO. CT600262	REV. A1