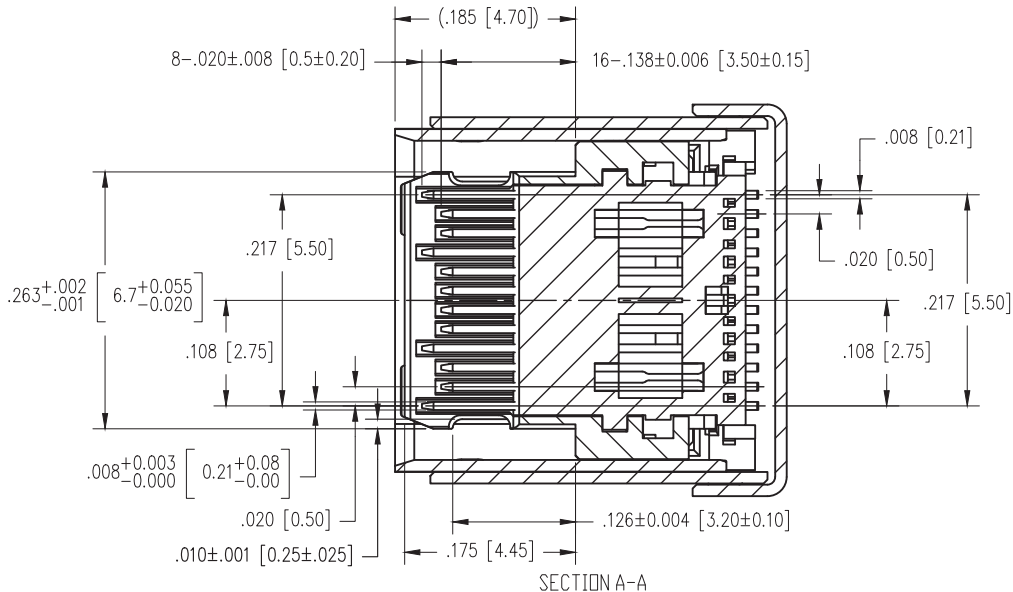
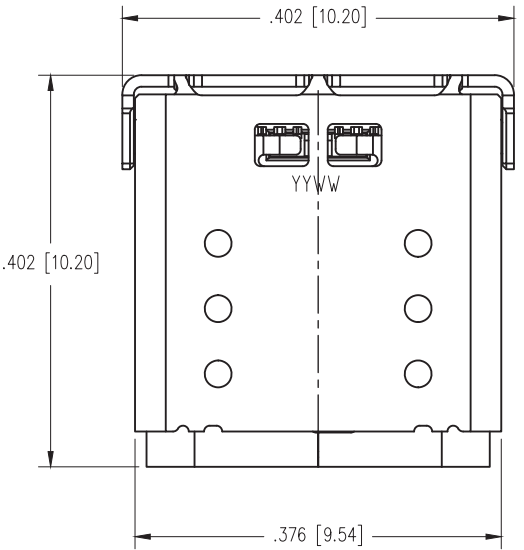
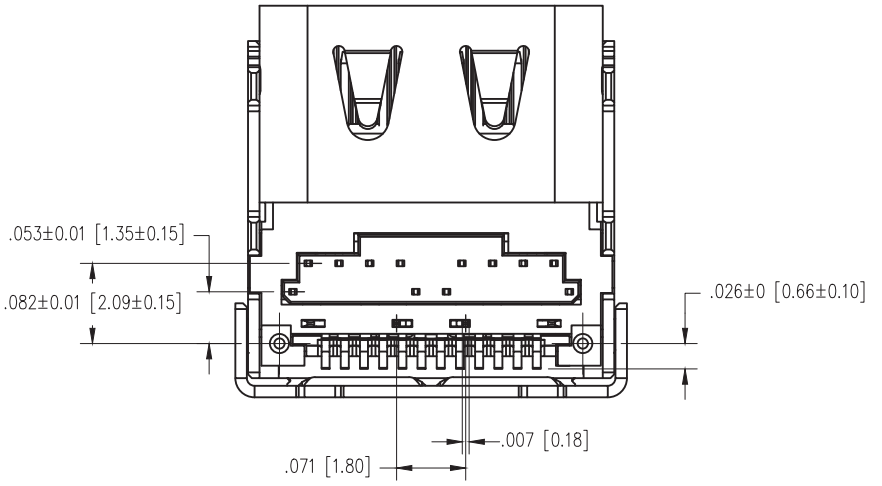
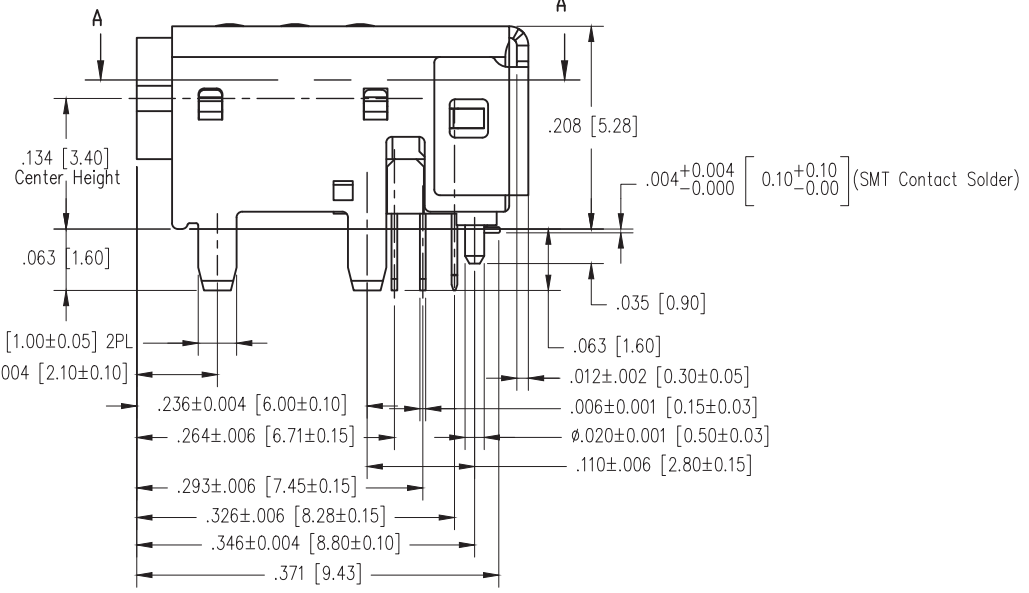
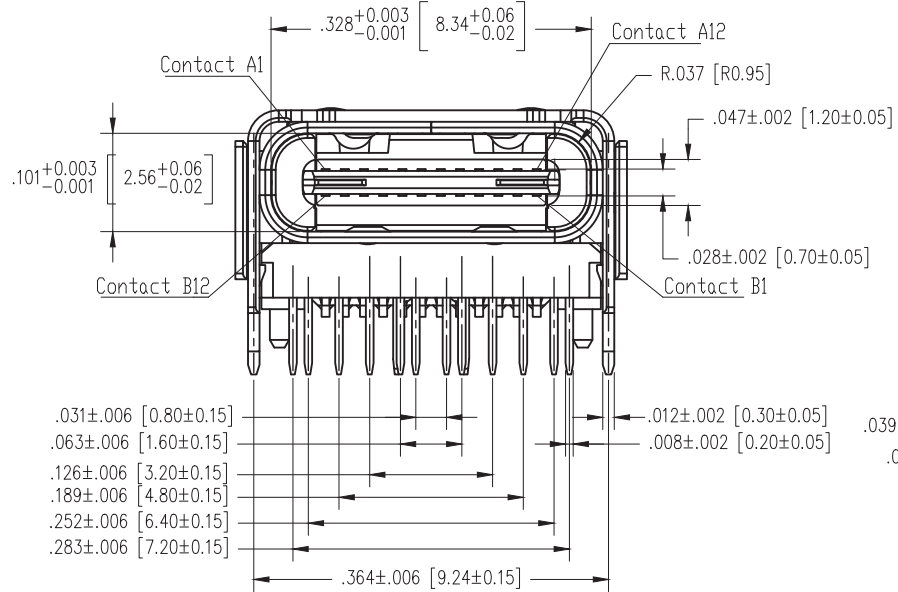


DATE	REV	ECN	APP'D. BY
4/19/2021	A0	-	GWL
09/18/2023	A1	12193	GWL

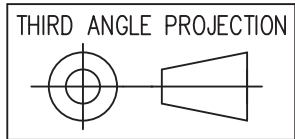


NOTE:

1. MATERIAL  
 HOUSING: THERMOPLASTIC, RATED UL94V-0  
 CONTACTS: COPPER ALLOY  
 SHELL: STAINLESS STEEL  
 CONTACT PLATING:  
 UNDERPLATE: 50u"-80u" NICKEL  
 CONTACT AREA: SEE CHART  
 SOLDER TAILS: 100u"-150u" TIN (MATTE)
2. ELECTRICAL  
 OPERATION VOLTAGE: 20V  
 CURRENT RATING: 7 AMPS MAX.  
 CONTACT RESISTANCE: 40 mΩ INITIAL  
 INSULATION RESISTANCE: 100MΩ MIN. @100VDC  
 DIELECTRIC WITHSTANDING VOLTAGE: 100VAC/ 1 MINUTE
3. ENVIRONMENTAL  
 TEMPERATURE RANGE: -20° TO +105°  
 MATING CYCLES: 10,000 INSERTIONS
4. CONNECTOR IS FULLY COMPATIBLE WITH USB TYPE-C 4.0 CONNECTOR SPEC.



30 MICRO-INCHES [0.76um]	SS-52400-005
CONTACT PLATING IN MATING AREA	PART NUMBER



DRAWING IS SUBJECT TO CHANGE WITHOUT NOTICE  
 UNLESS OTHERWISE SPECIFIED DIMENSIONS INCHES [METRIC]  
 TOLERANCES ARE:  
 ANGLES ± 5°  
 .X [X.] ±.020" [±0.50]  
 .XX [X.] ±.012" [±0.30]  
 .XXX [XX] ±.008" [±0.20]  
 DO NOT SCALE DRAWING



SHEET NO. 1 OF 3

**stewart** CONNECTOR  
 a bel group  
 1118 Susquehanna Trail South  
 Glen Rock, PA 17327-9199  
 (717) 235-7512  
<http://www.stewartconnector.com>

TITLE: USB4 (Type C) R/Angle Receptacle 1.6mm Tail Length

THIS DRAWING AND THE SUBJECT MATTER SHOWN THEREON ARE CONFIDENTIAL AND THE PROPRIETARY PROPERTY OF STEWART CONNECTOR AND SHALL NOT BE REPRODUCED, COPIED, OR USED IN ANY MANNER WITHOUT PRIOR WRITTEN CONSENT OF STEWART CONNECTOR. ONE OR MORE U.S. PATENTS MAY APPLY TO THIS PRODUCT. FOR DETAILS, PLEASE VISIT: [HTTP://BELFUSE.COM/STEWART/STEWART\\_PATENTS/](http://BELFUSE.COM/STEWART/STEWART_PATENTS/)

DRN BY: JE	DATE: 4/15/2021
APPD BY: GWL	DATE: 4/19/2021
DWG NO. CT520014	REV. A1

B

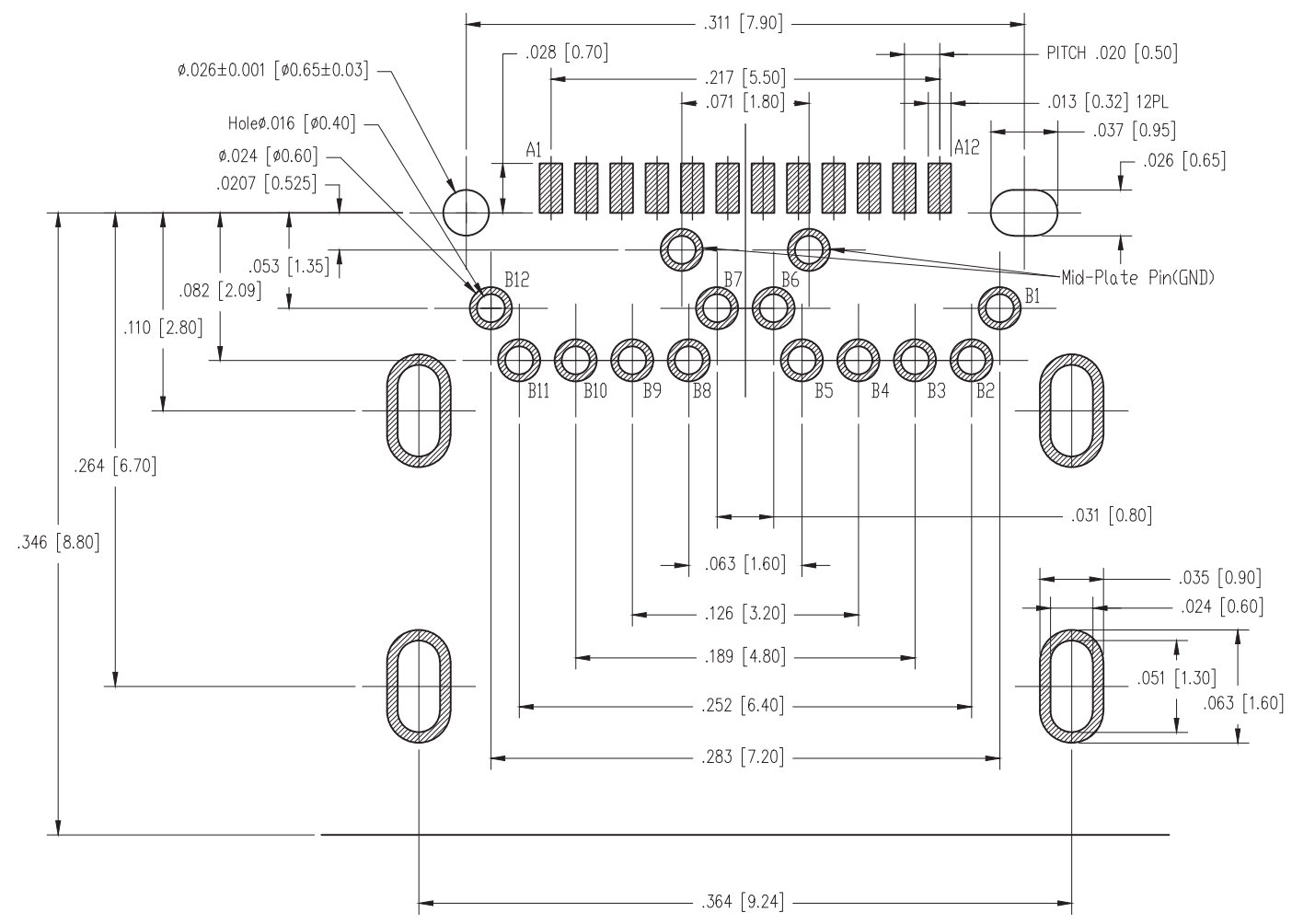
B

A

A

USB TYPE -C Pin Assignments			
Pin Number	Signal Name	Pin Number	Signal Name
A1	GND	B12	GND
A2	SSTXp1	B11	SSRXp1
A3	SSTXn1	B10	SSRXn1
A4	VBUS	B9	VBUS
A5	CC1	B8	SBU2
A6	Dp1	B7	Dn2
A7	Dn1	B6	Dp2
A8	SBU1	B5	CC2
A9	VBUS	B4	VBUS
A10	SSRXn2	B3	SSTXn2
A11	SSRXp2	B2	SSTXp2
A12	GND	B1	GND

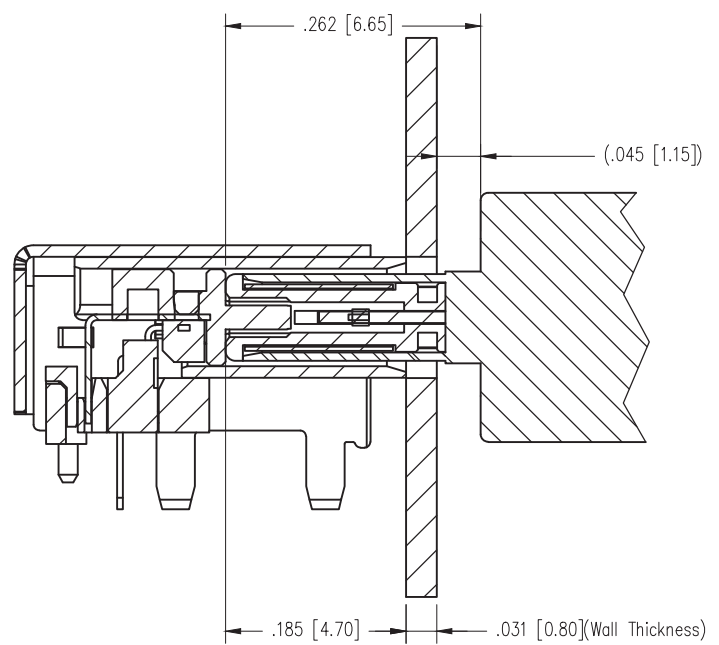
B



RECOMMENDED PCB LAYOUT  
 TOLERANCE ±002 [0.05]  
 PCB THICKNESS = .063 [1.6]

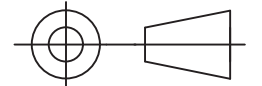
B

A



A



THIRD ANGLE PROJECTION  
  
 DRAWING IS SUBJECT TO CHANGE WITHOUT NOTICE  
 UNLESS OTHERWISE SPECIFIED DIMENSIONS INCHES [METRIC]  
 TOLERANCES ARE:  
 ANGLES ± 5°  
 .X [X] ±.020" [±0.50]  
 .XX [X] ±.012" [±0.30]  
 .XXX [XX] ±.008" [±0.20]  
 DO NOT SCALE DRAWING  
 SHEET NO. 2 OF 3

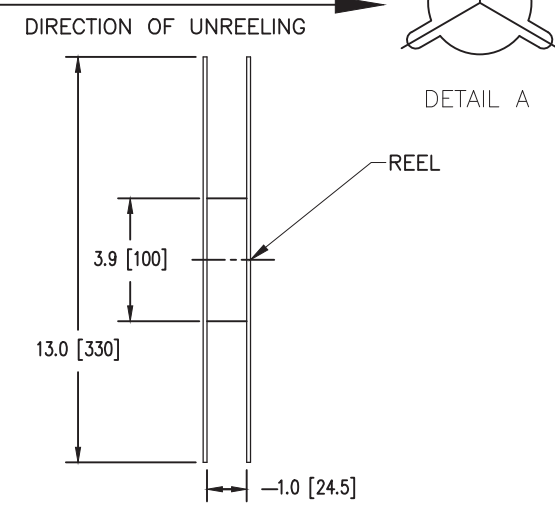
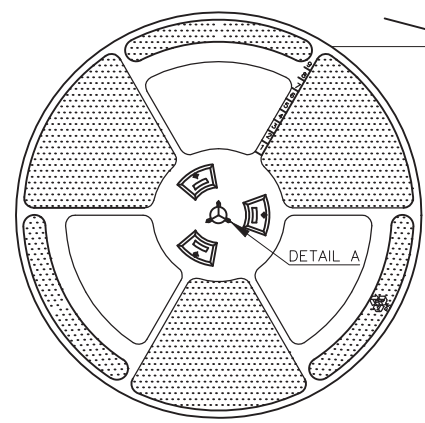
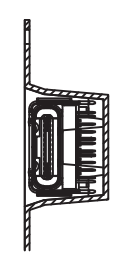
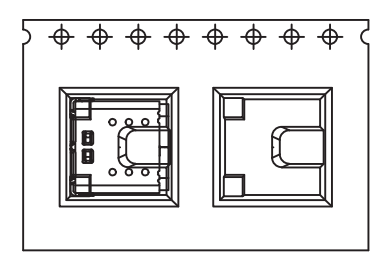
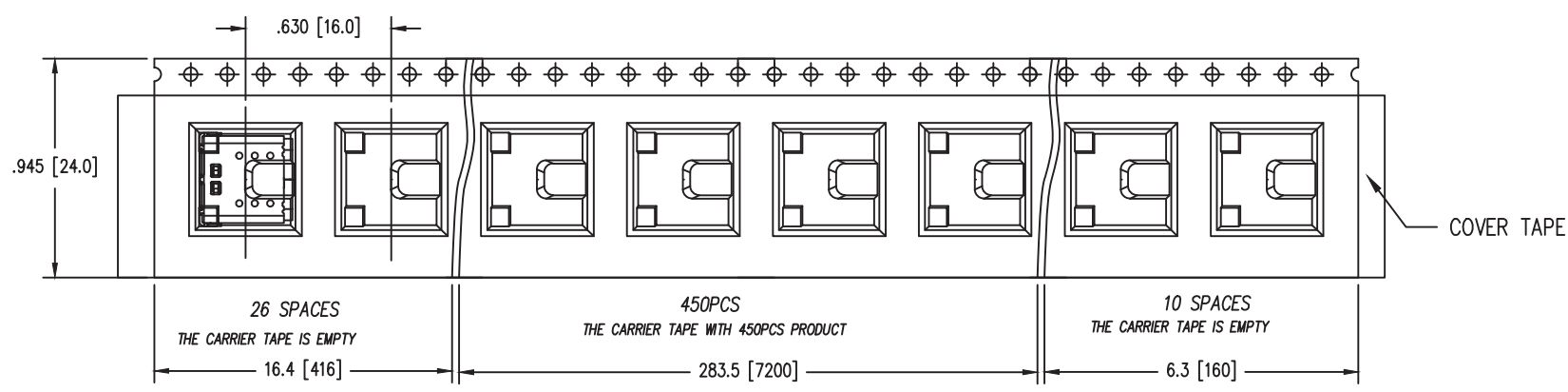


11118 Susquehanna Trail South  
 Glen Rock, PA 17327-9199  
 (717) 235-7512  
<http://www.stewartconnector.com>

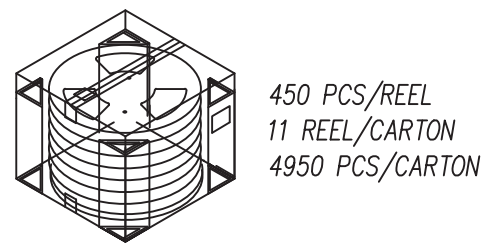
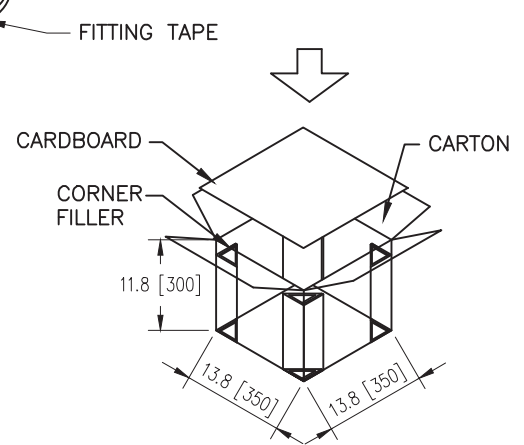
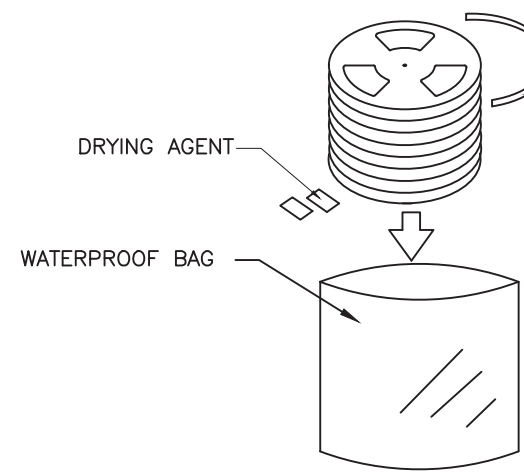
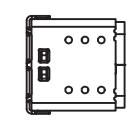
TITLE: USB4 (Type C) R/Angle Receptacle 1.6mm Tail Length

THIS DRAWING AND THE SUBJECT MATTER SHOWN THEREON ARE CONFIDENTIAL AND THE PROPRIETARY PROPERTY OF STEWART CONNECTOR AND SHALL NOT BE REPRODUCED, COPIED, OR USED IN ANY MANNER WITHOUT PRIOR WRITTEN CONSENT OF STEWART CONNECTOR. ONE OR MORE U.S. PATENTS MAY APPLY TO THIS PRODUCT. FOR DETAILS, PLEASE VISIT: [HTTP://BELFUSE.COM/STEWART/STEWART\\_PATENTS/](http://BELFUSE.COM/STEWART/STEWART_PATENTS/)

DRN BY: JE	DATE 4/15/2021
APPD BY: GWL	DATE 4/19/2021
DWG NO. CT520014	REV. A1



Conn. TYPE



THIRD ANGLE PROJECTION	
DRAWING IS SUBJECT TO CHANGE WITHOUT NOTICE	
UNLESS OTHERWISE SPECIFIED DIMENSIONS INCHES [METRIC] TOLERANCES ARE:	
ANGLES ± 5°	
.X [X.] ±.020" [±0.50]	
.XX [X] ±.012" [±0.30]	
.XXX [XX] ±.008" [±0.20]	
DO NOT SCALE DRAWING	
SHEET NO.	3 OF 3

<p>stewart CONNECTOR a bel group</p>	1118 Susquehanna Trail South Glen Rock, PA 17327-9199 (717) 235-7512 <a href="http://www.stewartconnector.com">http://www.stewartconnector.com</a>	
	TITLE: USB4 (Type C) R/Angle Receptacle 1.6mm Tail Length	
THIS DRAWING AND THE SUBJECT MATTER SHOWN THEREON ARE CONFIDENTIAL AND THE PROPRIETARY PROPERTY OF STEWART CONNECTOR AND SHALL NOT BE REPRODUCED, COPIED, OR USED IN ANY MANNER WITHOUT PRIOR WRITTEN CONSENT OF STEWART CONNECTOR. ONE OR MORE U.S. PATENTS MAY APPLY TO THIS PRODUCT. FOR DETAILS, PLEASE VISIT: <a href="http://BELFUSE.COM/STEWART/STEWART_PATENTS/">HTTP://BELFUSE.COM/STEWART/STEWART_PATENTS/</a>	DRN BY: JE	DATE 4/15/2021
	APPD BY: GWL	DATE 4/19/2021
	DWG NO. CT520014	REV. A1