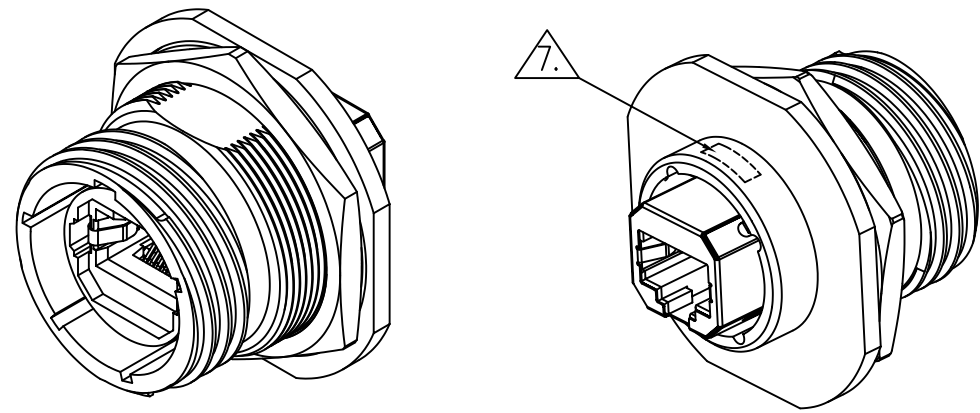
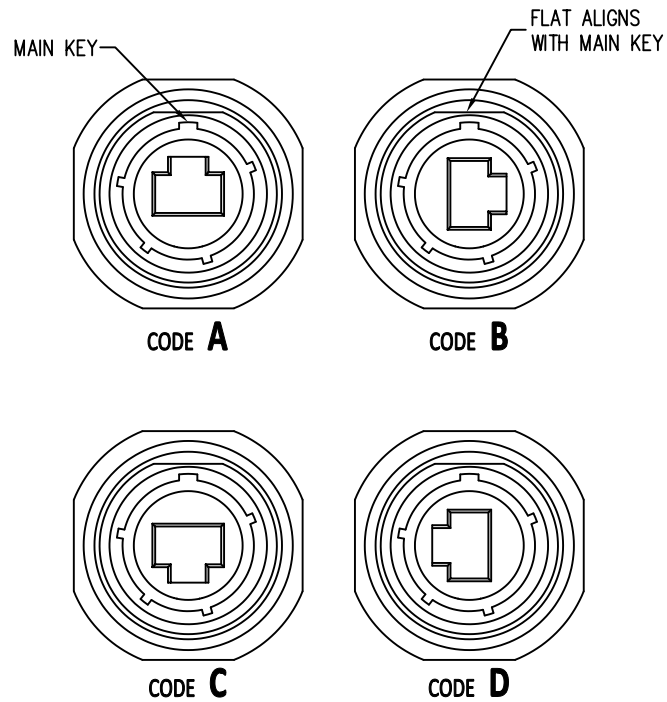


JAM NUT RECEPTACLE CONNECTOR



RECEPTACLE CONNECTOR
AS RECEIVED
(ISOMETRIC VIEWS)

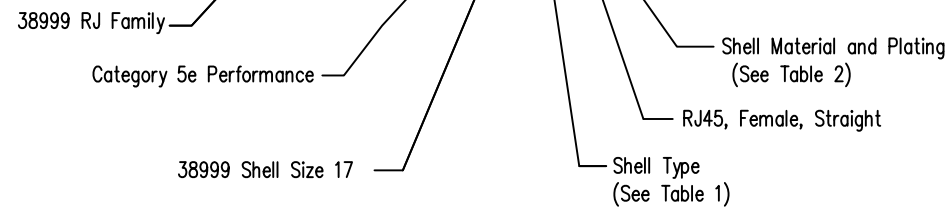


POLARIZATION CODES
USE REMOVAL TOOL P/N 2940262-01
IF RECODING IS NECESSARY

DATE	REV	ECN	APP'D. BY
12-2-16	X0	-	ADB
1-11-17	A0	-	DHG
2-08-17	A1	10895	DHG
5-23-17	B0	11009	DHG
7-26-17	B1	11052	DHG

Part Number Key

S-RJFTV5E17071G



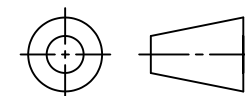
NOTES:

- CONNECTOR MATERIALS:
HOUSING: THERMOPLASTIC UL94 V-0
CONTACTS/SHIELD: COPPER ALLOY
CONTACT PLATING: 50 MICRO-INCHES [1.27um] SELECTIVE GOLD OR EQUIVALENT
SHELL MATERIAL AND PLATING: SEE CHART FOR PART NUMBER
O-RING: SILICONE
- DESIGNED FOR CATEGORY 5e PERFORMANCE FOR RJ45 PRODUCT SPECIFICATIONS SEE PR040-01.
- RJ45 INTERFACE DIMENSIONS AND TOLERANCES COMPLY WITH TIA-1096 STANDARD.
- CIRCULAR SHELL COMPLIES WITH MIL-DTL-38999.
- STANDARD PRODUCT IS SUPPLIED ASSEMBLED TO POLARIZATION CODE A
- CONNECTOR ASSEMBLY IS SUPPLIED WITHOUT CORDSET IF LENGTH DESIGNATOR IS BLANK.
- CIRCULAR CONNECTOR IS MARKED WITH DATE CODE IN THIS AREA.
- CIRCULAR CONNECTOR IS SUPPLIED WITH DUST CAPS.

Part Number	Description
07	Receptacle, Jamnut
07BS	Receptacle, Jamnut, IP68 Backshell, Plastic gland
07BSM	Receptacle, Jamnut, IP68 Backshell, Metal gland

Part Number	Description
G	Aluminum shell, Olive drab plating
N	Aluminum shell, Nickel plating (RoHS)
SS	Stainless steel, Passivated (RoHS)
BZ	Marine bronze (RoHS)

THIRD ANGLE PROJECTION



1118 Susquehanna Trail South
Glen Rock, PA 17327-9199
(717) 235-7512
<http://www.stewartconnector.com>

DO NOT SCALE DRAWING
DRAWING IS SUBJECT TO
CHANGE WITHOUT NOTICE

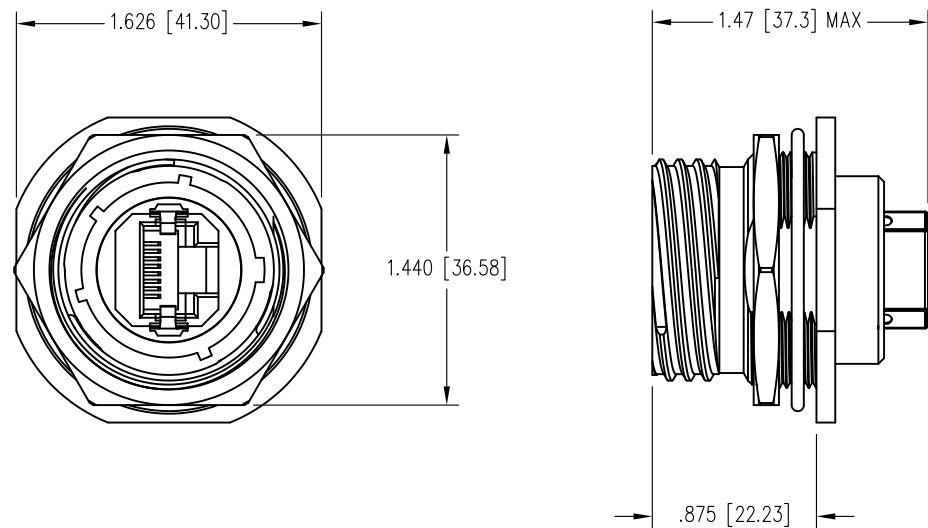
TITLE: IP68 RECEPTACLE WITH RJ45 INSERT
SIZE 17 38999 JAM NUT SHELL

DIMENSIONS: INCHES [METRIC]
UNLESS OTHERWISE SPECIFIED
TOLERANCES ARE ±.005 [0.13]
ANGLES ARE ± 1°

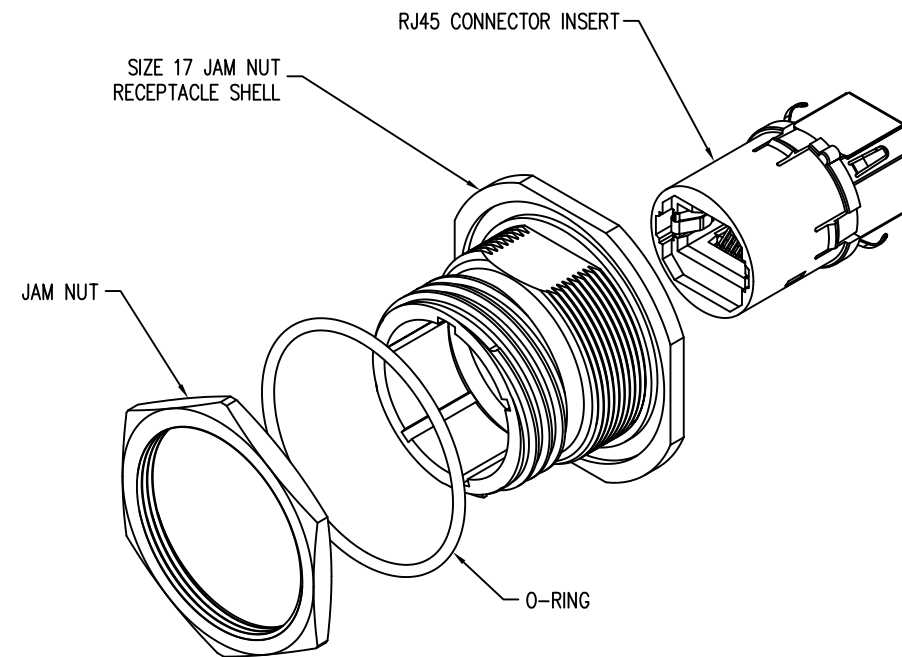
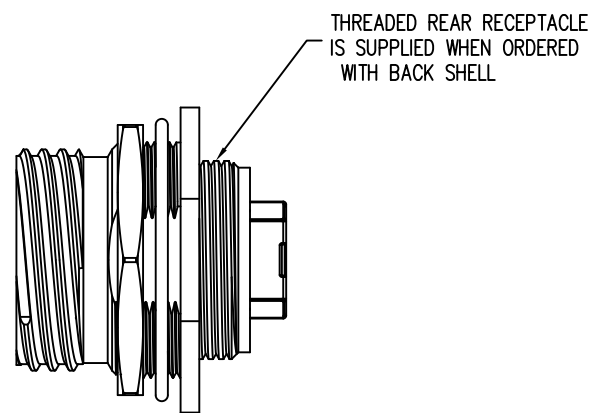
THIS DRAWING AND THE SUBJECT MATTER SHOWN THEREON ARE CONFIDENTIAL AND THE PROPRIETARY PROPERTY OF STEWART CONNECTOR AND SHALL NOT BE REPRODUCED, COPIED, OR USED IN ANY MANNER WITHOUT PRIOR WRITTEN CONSENT OF STEWART CONNECTOR. ONE OR MORE U.S. PATENTS MAY APPLY TO THIS PRODUCT. FOR DETAILS, PLEASE VISIT: [HTTP://BELFUSE.COM/STEWART/STEWART_PATENTS/](http://BELFUSE.COM/STEWART/STEWART_PATENTS/)

DRN BY:	DHG	DATE	11-15-16
APPD BY:	ADB	DATE	12-2-16
DWG NO.	CT600172	REV.	B1

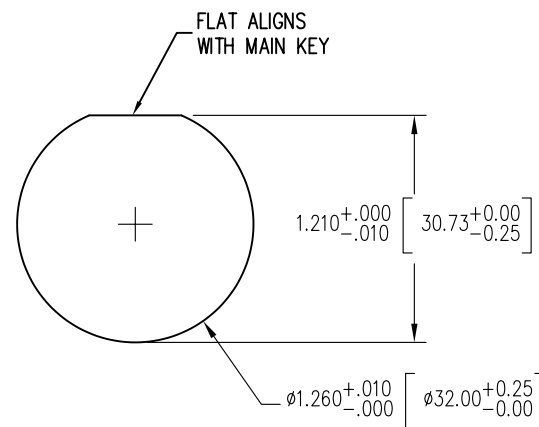
SHEET NO. 1 OF 3



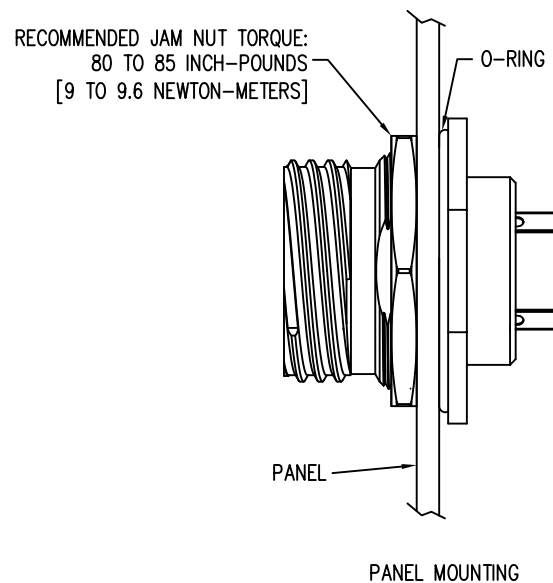
ASSEMBLED DIMENSIONS
(POLARIZATION CODE A SHOWN)



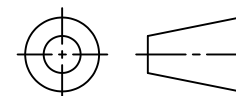
RECEPTACLE CONNECTOR
(EXPLODED VIEW)



PANEL CUTOUT
.125 [3.2] MAX PANEL THICKNESS



THIRD ANGLE PROJECTION



11118 Susquehanna Trail South
Glen Rock, PA 17327-9199
(717) 235-7512

<http://www.stewartconnector.com>

DO NOT SCALE DRAWING
DRAWING IS SUBJECT TO
CHANGE WITHOUT NOTICE

TITLE: IP68 RECEPTACLE WITH RJ45 INSERT
SIZE 17 38999 JAM NUT SHELL

DIMENSIONS: INCHES [METRIC]

THIS DRAWING AND THE SUBJECT MATTER SHOWN THEREON
ARE CONFIDENTIAL AND THE PROPRIETARY PROPERTY OF
STEWART CONNECTOR AND SHALL NOT BE REPRODUCED,
COPIED, OR USED IN ANY MANNER WITHOUT PRIOR WRITTEN
CONSENT OF STEWART CONNECTOR. ONE OR MORE U.S. PATENTS
MAY APPLY TO THIS PRODUCT. FOR DETAILS, PLEASE
VISIT: [HTTP://BELFUSE.COM/STEWART/STEWART_PATENTS/](http://BELFUSE.COM/STEWART/STEWART_PATENTS/)

DRN BY: DHG DATE 11-15-16

APPD BY: ADB DATE 12-2-16

SHEET NO. 2 OF 3

DWG NO. CT600172 REV. B1

JAM NUT RECEPTACLE CONNECTOR WITH BACK SHELL, SEALING GLAND, AND CORDSET

Part Number	Standard Length (Meters) [Inches]
03	0.3 [11.8]
05	0.5 [19.7]
10	1.0 [39.4]
15	1.5 [59.1]

For Lengths Not Shown Follow Part Number Key Format. Supplied Without Cordset if Designator is Blank

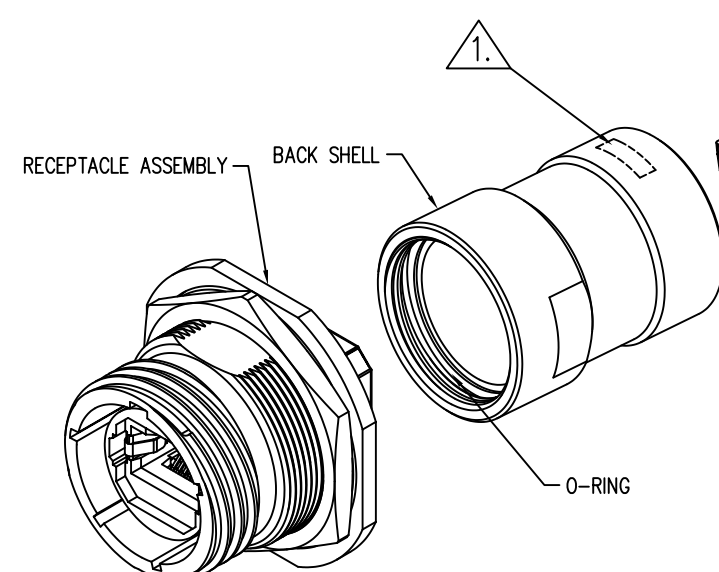
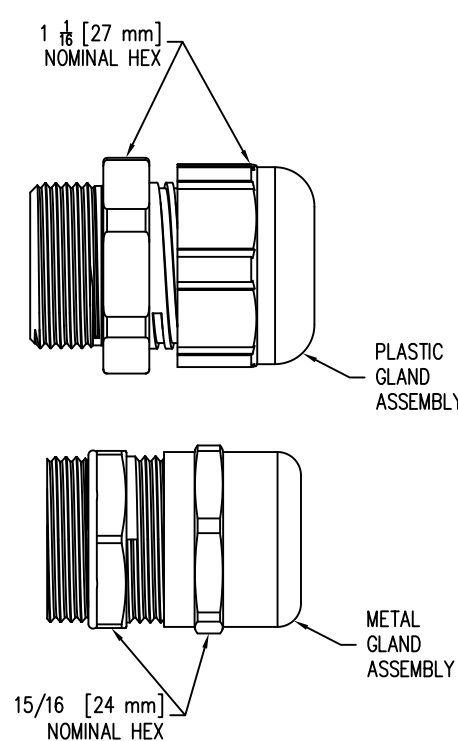
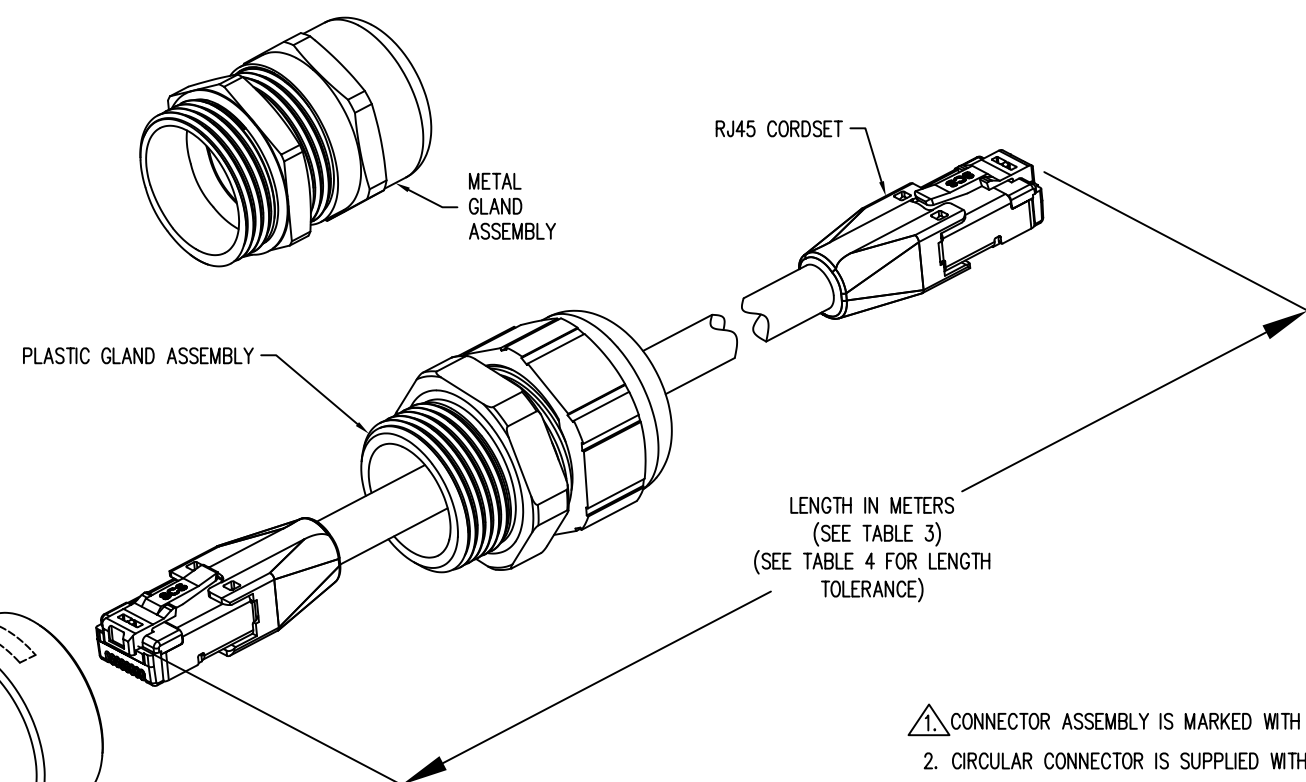
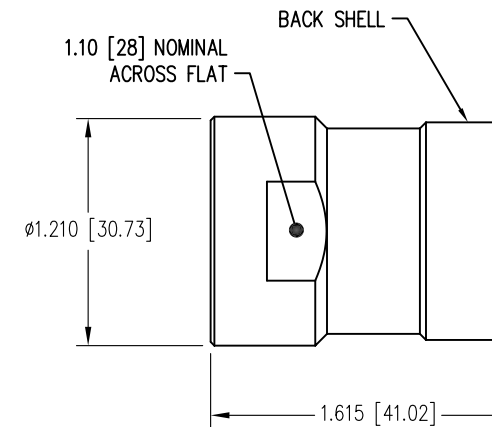
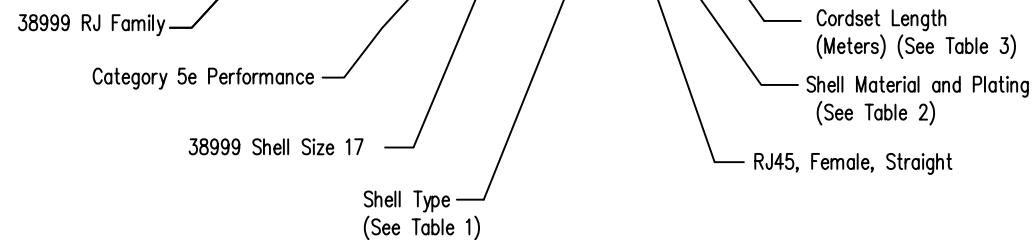
Cable Length = Meters [inches]	Tolerance = MM [inches]
0.5 [19.7] TO 2.5 [98.4]	+100 [3.90] / -0 [0.00]
3.0 [118] TO 10 [394]	+150 [5.91] / -0 [0.00]

NOTES:

- SEALING GLAND RECOMMENDED TORQUE VALUES:
 PLASTIC GLAND:
 GLAND TO SHELL = 44.3 In-Lbs [5 Nm]
 GLAND TO CABLE = 29.2 In-Lbs [3.3 Nm]
 METAL GLAND:
 GLAND TO SHELL = 66.4 In-Lbs [7.5 Nm]
 GLAND TO CABLE = 44.3 In-Lbs [5 Nm]
- BACK SHELL TO RECEPTACLE RECOMMENDED TORQUE:
 40 TO 50 INCH-POUNDS [4.5 TO 5.6 NEWTON-METERS]

Part Number Key

S-RJFTV5E1707BS1G03



RECEPTACLE CONNECTOR WITH BACK SHELL, GLAND AND CORDSET AS RECEIVED (EXPLODED VIEW)

- CONNECTOR ASSEMBLY IS MARKED WITH DATE CODE IN THIS AREA.
- CIRCULAR CONNECTOR IS SUPPLIED WITH DUST CAPS.

THIRD ANGLE PROJECTION 	 stewart CONNECTOR a bel group	1118 Susquehanna Trail South Glen Rock, PA 17327-9199 (717) 235-7512 http://www.stewartconnector.com
DO NOT SCALE DRAWING DRAWING IS SUBJECT TO CHANGE WITHOUT NOTICE	TITLE: IP68 RECEPTACLE WITH RJ45 INSERT SIZE 17 38999 JAM NUT SHELL	
DIMENSIONS: INCHES [METRIC]	THIS DRAWING AND THE SUBJECT MATTER SHOWN THEREON ARE CONFIDENTIAL AND THE PROPRIETARY PROPERTY OF STEWART CONNECTOR AND SHALL NOT BE REPRODUCED, COPIED, OR USED IN ANY MANNER WITHOUT PRIOR WRITTEN CONSENT OF STEWART CONNECTOR. ONE OR MORE U.S. PATENTS MAY APPLY TO THIS PRODUCT. FOR DETAILS, PLEASE VISIT: HTTP://BELFUSE.COM/STEWART/STEWART_PATENTS/	DRN BY: DHG DATE 11-15-16
UNLESS OTHERWISE SPECIFIED TOLERANCES ARE ±.005 [0.13] ANGLES ARE ± 1°		APPD BY: ADB DATE 12-2-16
SHEET NO. 3 OF 3	DWG NO. CT600172	REV. B1