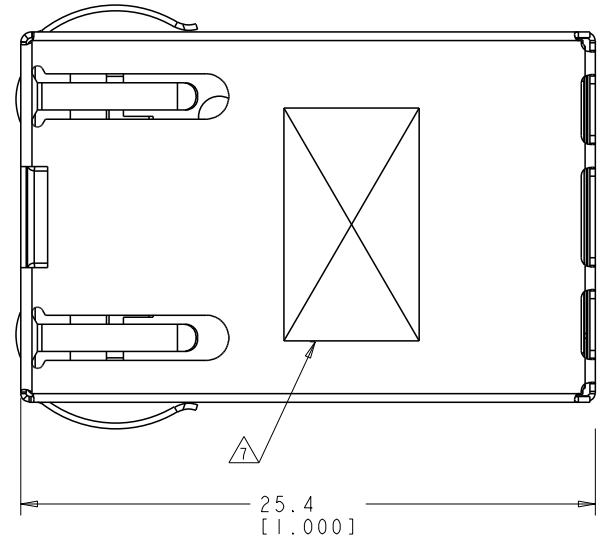
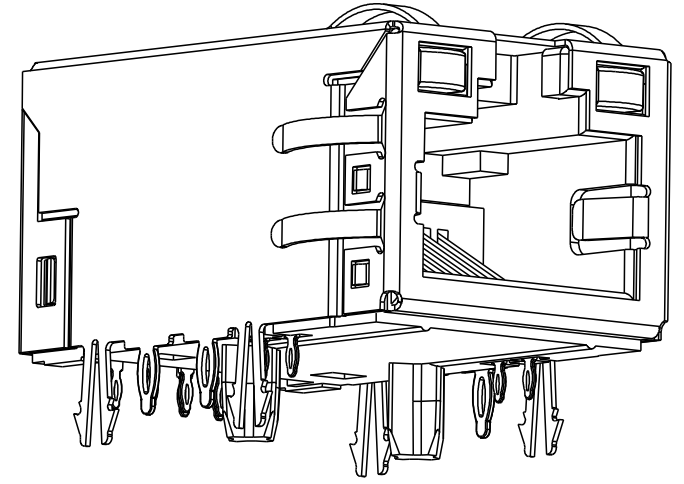
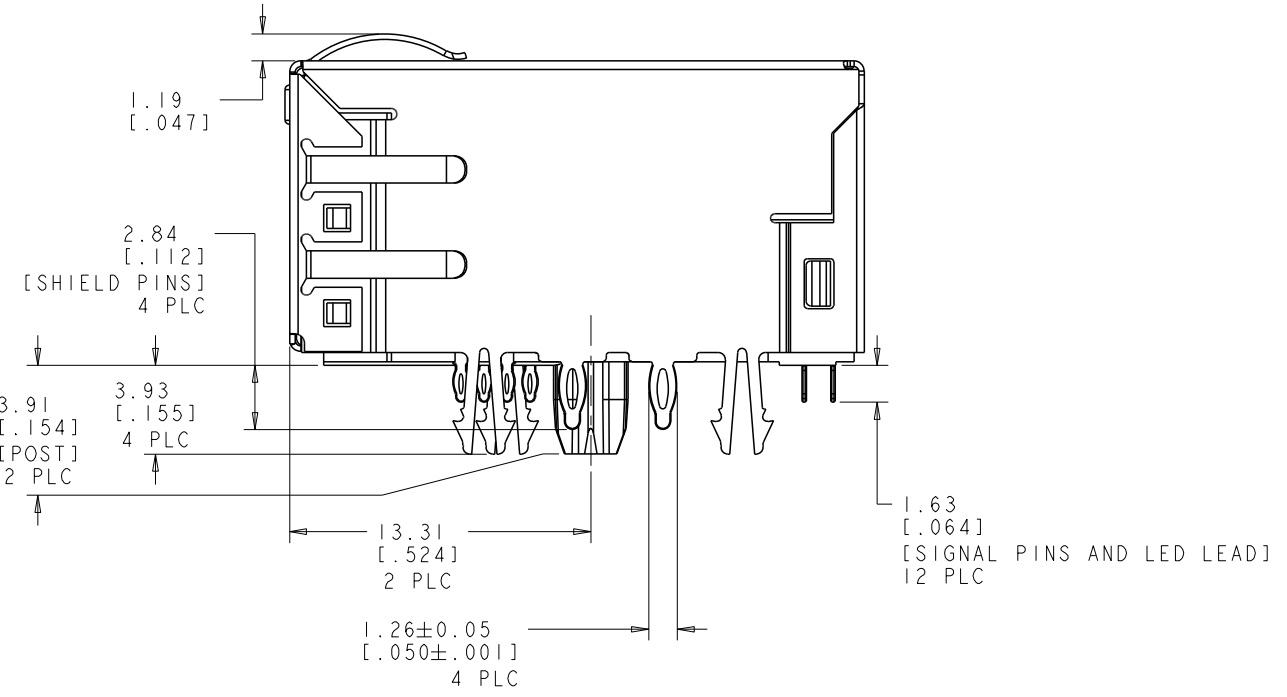
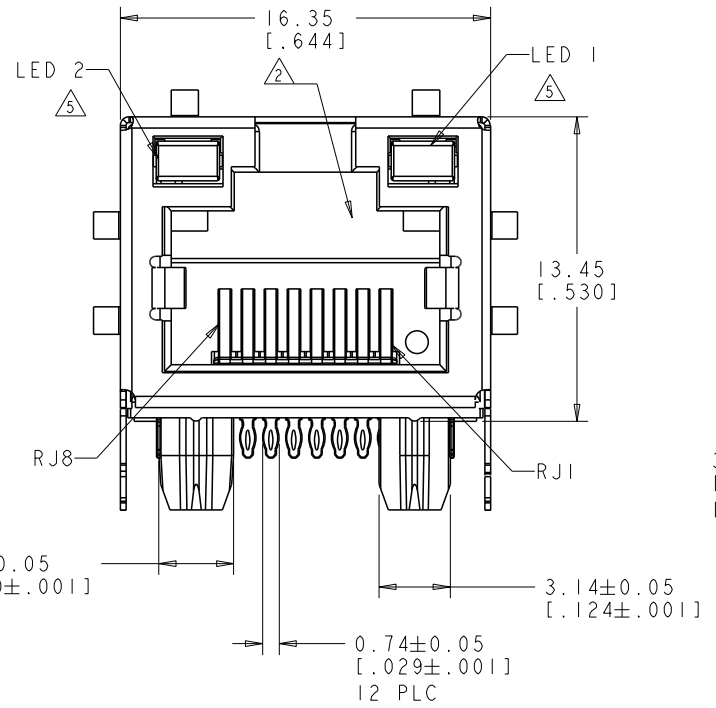


DATE	REV	REVISION CHANGES	ECN	APP'D. BY
01-19-2018	X0	SEE LAST SHEET	-	TY
06-13-2018	A0	PRODUCTION RELEASE	-	TY



1. MATERIALS:
- HOUSING: THERMOPLASTIC, BLACK, FLAMMABILITY RATING UL 94V-0
 - SHIELD: 0.25mm THICK, BRASS PREPLATED WITH 0.76 um MIN SEMI-BRIGHT NICKEL;
 - CONTACT TAILS: 0.20mm THICK, PHOSPHOR BRONZE, 1.27 um MIN OVERALL NICKEL UNDERPLATE, 3 um MIN TIN PLATE
 - MOD JACK CONTACTS: 0.25mm THICK, PHOSPHOR BRONZE
 - LIGHT EMITTING DIODE (LED): DIFFUSED EPOXY LENS, CARBON STEEL WIREFRAME PREPLATED WITH 2.03 um SILVER PLATE OVER 1.02 um NICKEL OVER 1.02 um COPPER UNDERPLATES; LEADS POST-PLATED WITH 3.05 um TIN.
2. DIMENSIONS AND TOLERANCES COMPLY WITH TIA-1096 STANDARD.
3. ISOLATION VOLTAGE: 2250VDC (MAX) FOR 60 SECONDS WITH A RISE TIME OF 500V/SEC BETWEEN RJ SIDE AND THE SHIELD.
4. OPERATING TEMPERATURE: FROM -40°C TO 85°C.
5. LEDs ARE DRIVEN WITH CONSTANT CURRENT AT APPROX 20 mA
 LED COLOR: DOMINANT WAVELENGTH(λD): GREEN 568 nm TYP @ IF=20 mA
 FORWARD VOLTAGE (VF): GREEN 2.2V TYP @ IF=20 mA
 DOMINANT WAVELENGTH(λD): YELLOW 588 nm TYP @ IF=20 mA
 FORWARD VOLTAGE (VF): YELLOW 2.1V TYP @ IF=20 mA
6. ALL DIMENSIONS ARE NOMINAL UNLESS OTHERWISE NOTED.
7. TRADEMARK, PART NUMBER (DETAILED PART NUMBER REFER TO PART LIST), DATE CODE, COUNTRY OF ORIGIN, AND AGENCY APPROVAL MARKING IN APPROXIMATE LOCATION SHOWN.
8. THE PART IS NOT DESIGNED FOR WAVE OR REFLOW SOLDERING APPLICATION.
9. FOR PRODUCT SPECIFICATION SEE PR022-01.



GREEN/YELLOW LED 2	GREEN/YELLOW LED 1
1.27um [50 MICRO-INCHES] MIN. GOLD OVER 1.27um MIN. NICKEL UNDERPLATE	SS-74810-001
CONTACT PLATING IN MATING AREA	PART NUMBER

THIRD ANGLE PROJECTION

11118 Susquehanna Trail South
 Glen Rock, PA 17327-9199
 (717) 235-7512
<http://www.stewartconnector.com>

DO NOT SCALE DRAWING
 DRAWING IS SUBJECT TO CHANGE WITHOUT NOTICE

TITLE: SINGLE PORT (1X1) TAB UP PRESS FIT WITH BI-COLOR GREEN/YELLOW LEDS

DRN BY: QUENTIN LIU DATE: 01-10-2018
 APP'D BY: TONY YUAN DATE: 01-10-2018

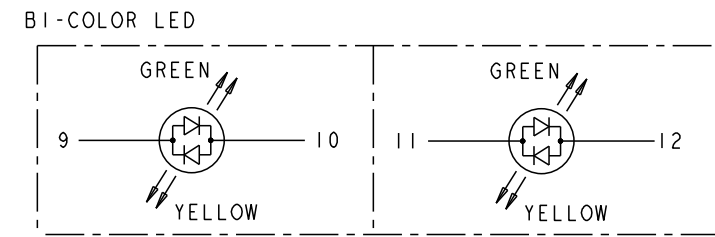
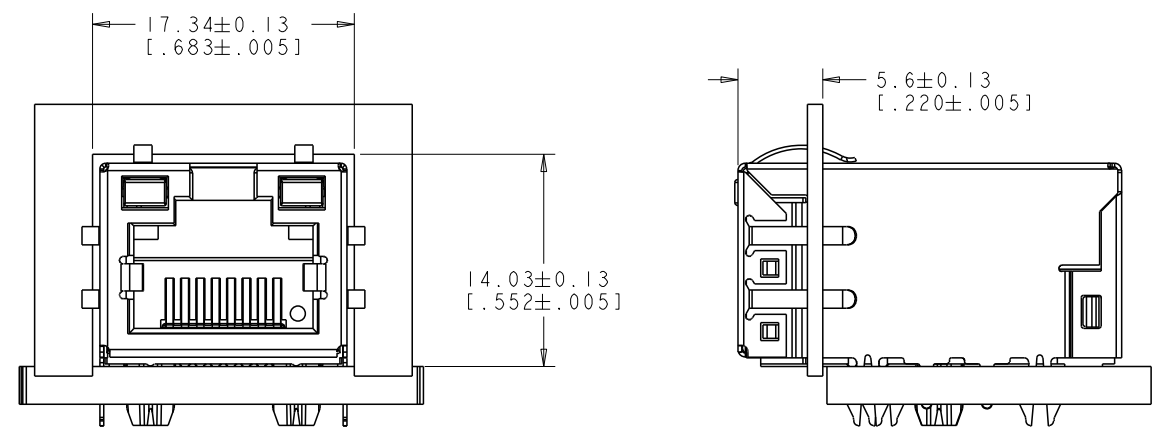
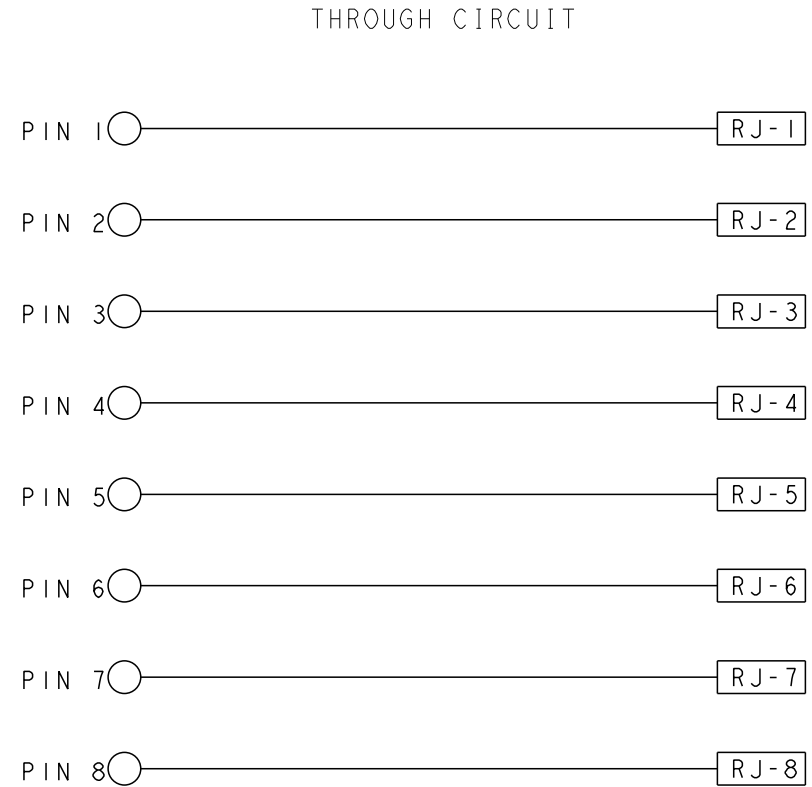
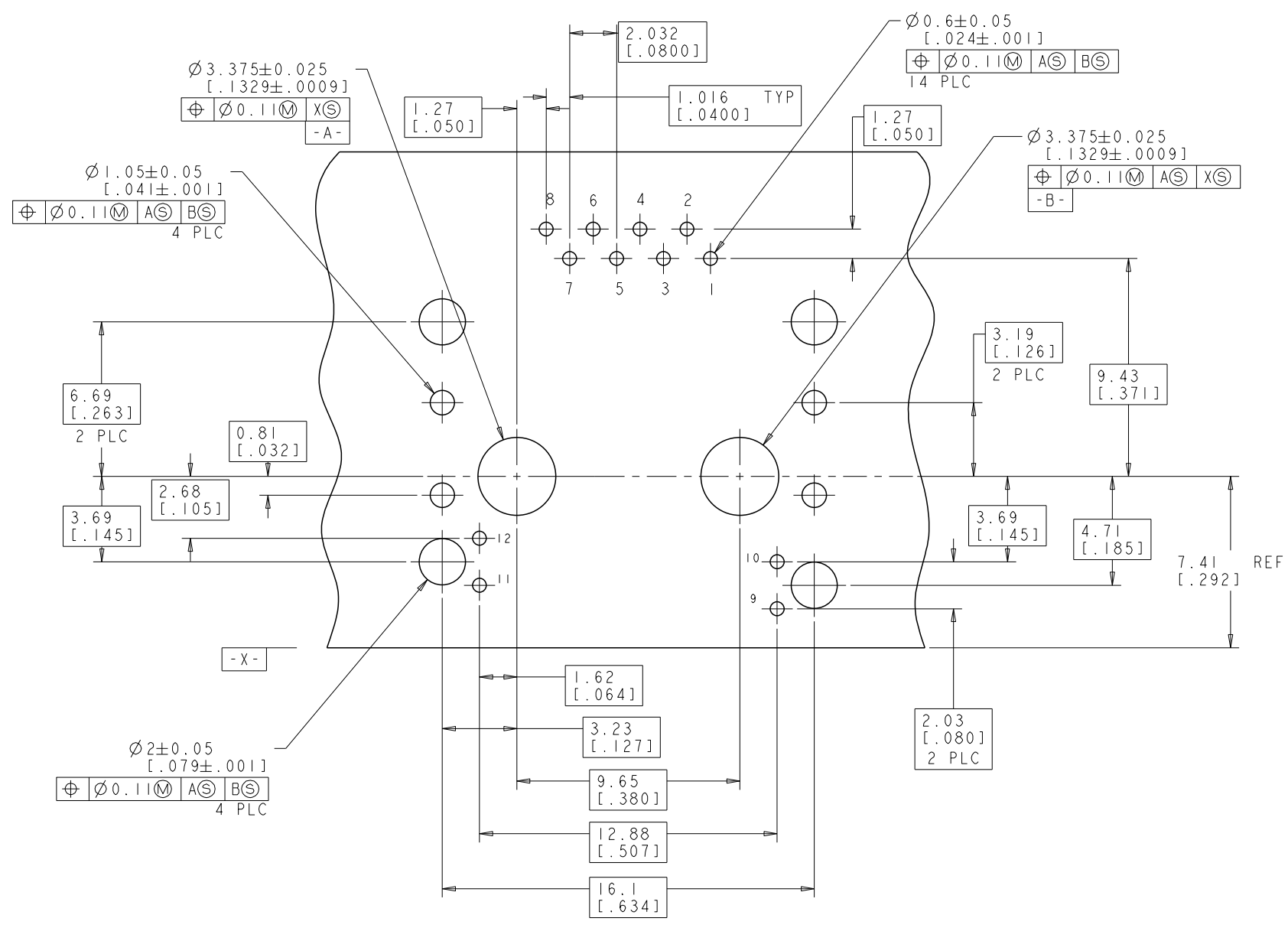
UNLESS OTHERWISE SPECIFIED DIMENSIONS: METRIC (INCHES)
 TOLERANCES ARE ±0.13(.005) ANGLES ARE ±1°

THIS DRAWING AND THE SUBJECT MATTER SHOWN THEREON ARE CONFIDENTIAL AND THE PROPRIETARY PROPERTY OF STEWART CONNECTOR AND SHALL NOT BE REPRODUCED, COPIED, OR USED IN ANY MANNER WITHOUT PRIOR WRITTEN CONSENT OF STEWART CONNECTOR. ONE OR MORE U.S. PATENTS MAY APPLY TO THIS PRODUCT. FOR DETAILS, PLEASE VISIT: [HTTP://BELFUSE.COM/STEWART/STEWART.PATENTS/](http://BELFUSE.COM/STEWART/STEWART.PATENTS/)

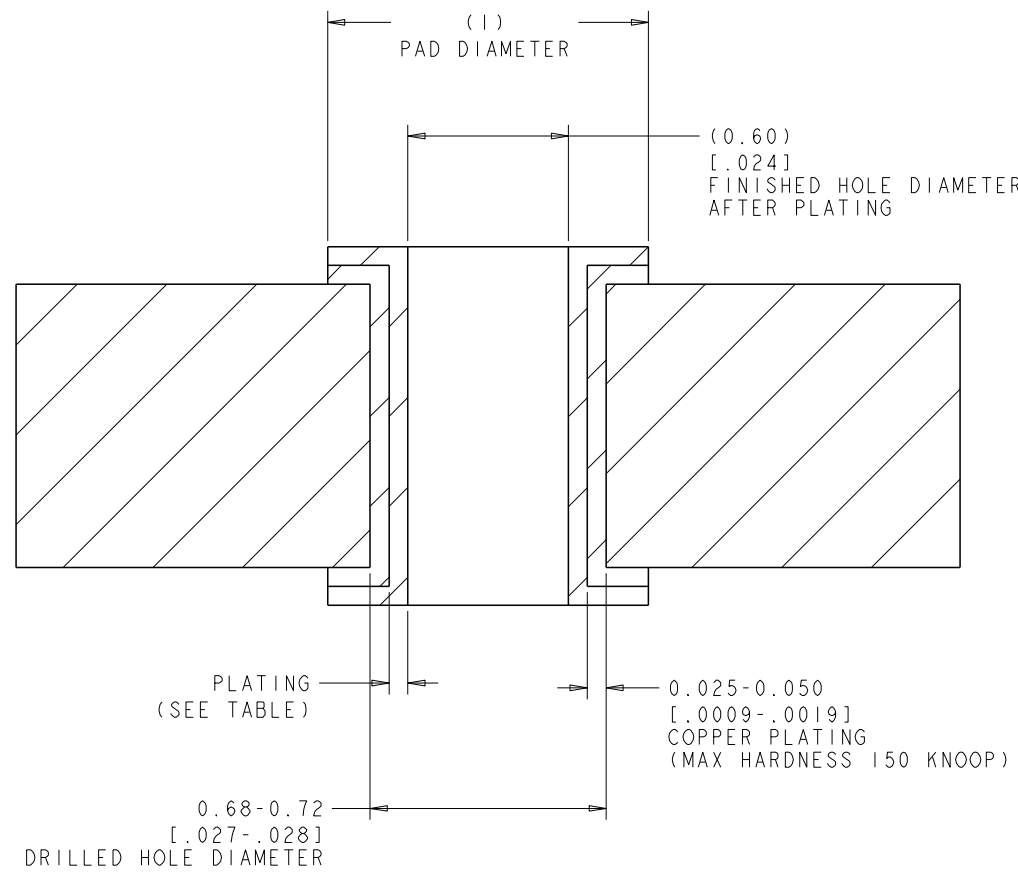
SHEET NO. 1 OF 4

RoHS

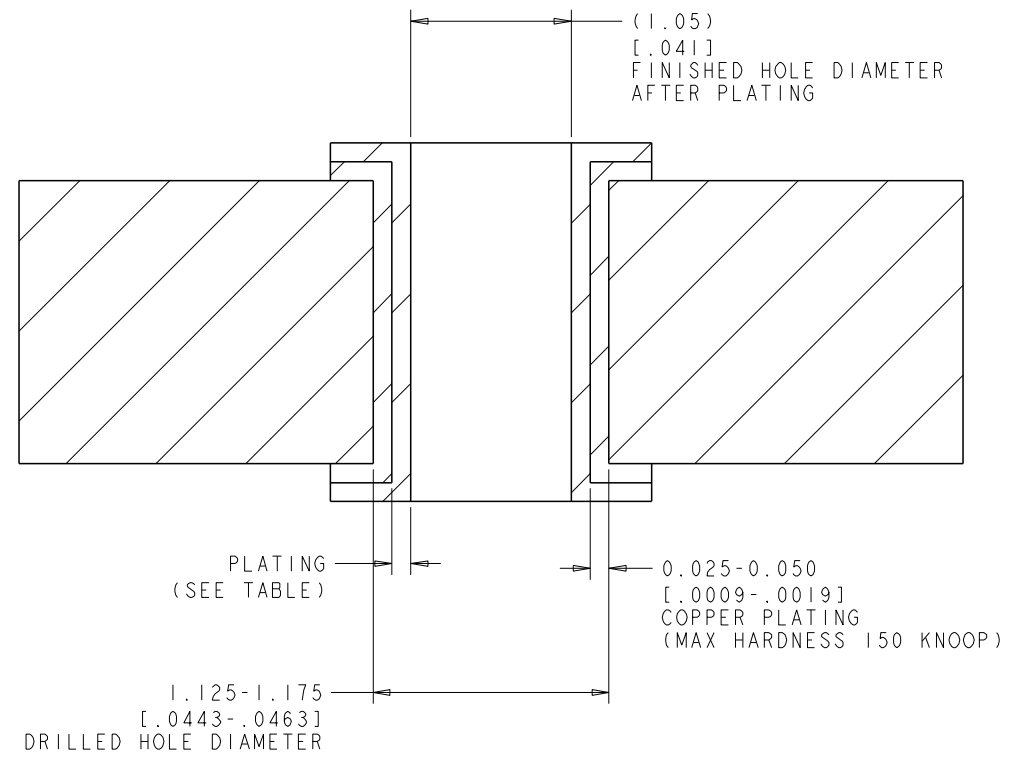
VD102653



THIRD ANGLE PROJECTION				11118 Susquehanna Trail South Glen Rock, PA 17327-9199 (717) 235-7512 http://www.stewartconnector.com	
DO NOT SCALE DRAWING DRAWING IS SUBJECT TO CHANGE WITHOUT NOTICE		TITLE: SINGLE PORT (1X1) TAB UP PRESS FIT WITH BI-COLOR GREEN/YELLOW LEDS		DRW BY: QUENTIN LIU DATE: 01-10-2018	
DIMENSIONS: METRIC (INCHES) UNLESS OTHERWISE SPECIFIED TOLERANCES ARE ±0.13 (±0.005) ANGLES ARE ±1°		THIS DRAWING AND THE SUBJECT MATTER SHOWN THEREON ARE CONFIDENTIAL AND THE PROPRIETARY PROPERTY OF STEWART CONNECTOR AND SHALL NOT BE REPRODUCED, COPIED, OR USED IN ANY MANNER WITHOUT PRIOR WRITTEN CONSENT OF STEWART CONNECTOR. ONE OR MORE U.S. PATENTS MAY APPLY TO THIS PRODUCT. FOR DETAILS, PLEASE VISIT: HTTP://BELFUSE.COM/STEWART/PATENTS/		APPD BY: TONY YUAN DATE: 01-10-2018	
SHEET NO: 2 OF 4				DWG NO: SS-74810-001 REV: A0	



RECOMMENDED HOLE DIMENSIONS
FOR SIGNAL CONTACTS



RECOMMENDED HOLE DIMENSIONS
FOR SHIELD CONTACTS

THICKNESS	PLATING
0.004-0.010 [.0002-.0004]	HOT AIR SOLDER LEVELING (HASL) TIN-LEAD (Sn Pb)
0.0005-0.001 [.00002-.00004]	IMMERSION TIN (Sn)
0.0002-0.0005 [.000008-.00002]	ORGANIC SOLDERABILITY PRESERVATIVE (OSP)
0.0001-0.0005 [.000004-.00002] Au, 0.004-0.0076 [.0002-.00030] Ni	IMMERSION GOLD (Au) OVER NICKEL (Ni) (ENIG)
0.010-0.025 [.0004-.0010]	TIN LEAD PLATING (Sn Pb)
0.0001-0.00015 [.000004-.000006]	IMMERSION SILVER (Ag)

THIRD ANGLE PROJECTION		11118 Susquehanna Trail South Glen Rock, PA 17327-9199 (717) 235-7512 http://www.stewartconnector.com
DO NOT SCALE DRAWING DRAWING IS SUBJECT TO CHANGE WITHOUT NOTICE	TITLE: SINGLE PORT (1X1) TAB UP PRESS FIT WITH BI-COLOR GREEN/YELLOW LEDS	DRN BY: QUENTIN LIU DATE: 01-10-2018 APPD BY: TONY YUAN DATE: 01-10-2018 DRW NO: SS-74810-001 REV: A0
DIMENSIONS: METRIC (INCHES) UNLESS OTHERWISE SPECIFIED TOLERANCES ARE ±0.13 (1.005) ANGLES ARE ±1°	THIS DRAWING AND THE SUBJECT MATTER SHOWN THEREON ARE CONFIDENTIAL AND THE PROPRIETARY PROPERTY OF STEWART CONNECTOR AND SHALL NOT BE REPRODUCED, COPIED, OR USED IN ANY MANNER WITHOUT PRIOR WRITTEN CONSENT OF STEWART CONNECTOR. ONE OR MORE U.S. PATENTS MAY APPLY TO THIS PRODUCT. FOR DETAILS, PLEASE VISIT: HTTP://BELFUSE.COM/STEWART/PATENTS/	
SHEET NO: 3 OF 4		



H

H

G

G

F

F

E

E

D

D

C

C

B

B

A

A

SS-74810-001						STOCK DISPOSITION			
SINGLE PORT (1X1) TAB UP PRESS FIT WITH BI-COLOR GREEN/YELLOW LEDS						A: CONTINUE AS IS		D: USE OLD FIRST	
REVISION HISTORY						B: REWORK		E: PARTS TO CONFORM	
C: SCRAP						F: OTHER			
DATE	REV	CHANGES	REASON	APPROVAL	INVENTORY (A,B,C,D,E,F)	WORK IN PROCESS (A,B,C,F)	SUPPLIER ORDERS (A,E,F)	OPEN CUST ORDERS (A,E,F)	
01-10-2018	X0	INITIAL RELEASE.	-	TONY YUAN	-	-	-	-	
01-15-2018	X1	NOTE 1 UPDATE HOUSING MATERIAL	DESIGN REQUIREMENT	TONY YUAN	-	-	-	-	
01-18-2018	X2	CHANGE LED COLOR	DESIGN REQUIREMENT	TONY YUAN	-	-	-	-	
01-19-2018	X3	UPDATE DRAWING FORMAT AND NOTE	DESIGN REQUIREMENT	TONY YUAN	-	-	-	-	
06-13-2018	A0	PRODUCTION RELEASE	DESIGN REQUIREMENT	TONY YUAN	-	-	-	-	



THIRD ANGLE PROJECTION 		11118 Susquehanna Trail South Glen Rock, PA 17327-9199 (717) 235-7512 http://www.stewartconnector.com
DO NOT SCALE DRAWING DRAWING IS SUBJECT TO CHANGE WITHOUT NOTICE	TITLE: SINGLE PORT (1X1) TAB UP PRESS FIT WITH BI-COLOR GREEN/YELLOW LEDS	DRN BY: QUENTIN LIU DATE: 01-10-2018
DIMENSIONS: METRIC (INCHES) UNLESS OTHERWISE SPECIFIED TOLERANCES ARE ±0.13 (1.005) ANGLES ARE ± 1°	THIS DRAWING AND THE SUBJECT MATTER SHOWN THEREON ARE CONFIDENTIAL AND THE PROPRIETARY PROPERTY OF STEWART CONNECTOR AND SHALL NOT BE REPRODUCED, COPIED, OR USED IN ANY MANNER WITHOUT PRIOR WRITTEN CONSENT OF STEWART CONNECTOR. ONE OR MORE U.S. PATENTS MAY APPLY TO THIS PRODUCT. FOR DETAILS, PLEASE VISIT: HTTP://BELFUSE.COM/STEWART/STEWART_PATENTS/	APPD BY: TONY YUAN DATE: 01-10-2018
SHEET NO: 4 OF 4		DRN NO: SS-74810-001 REV: A0