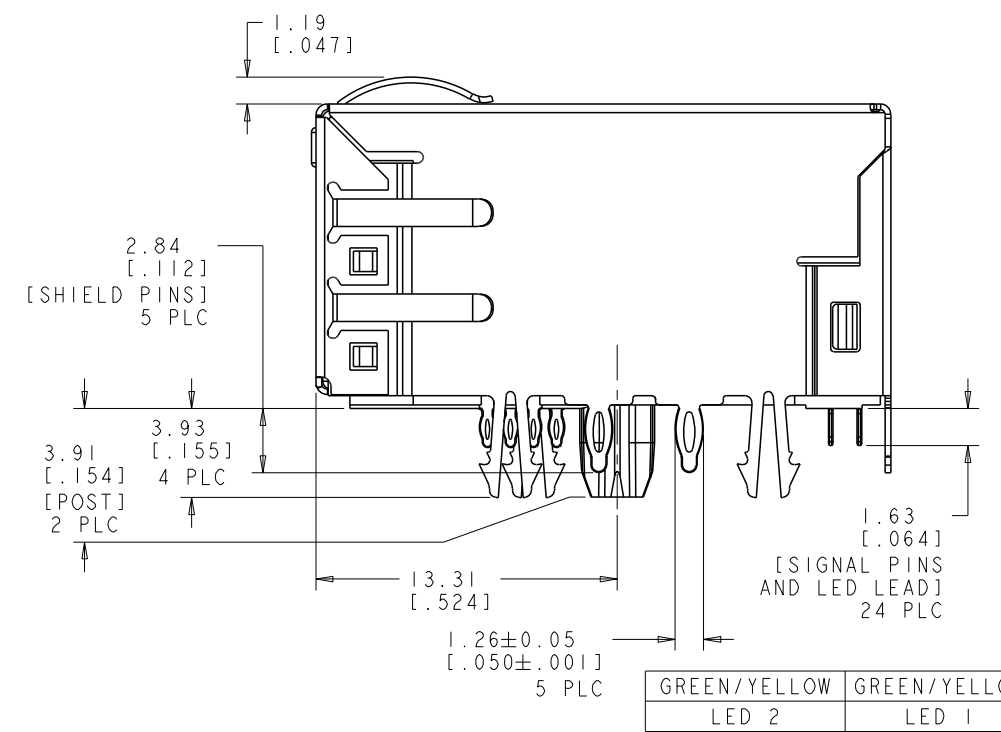
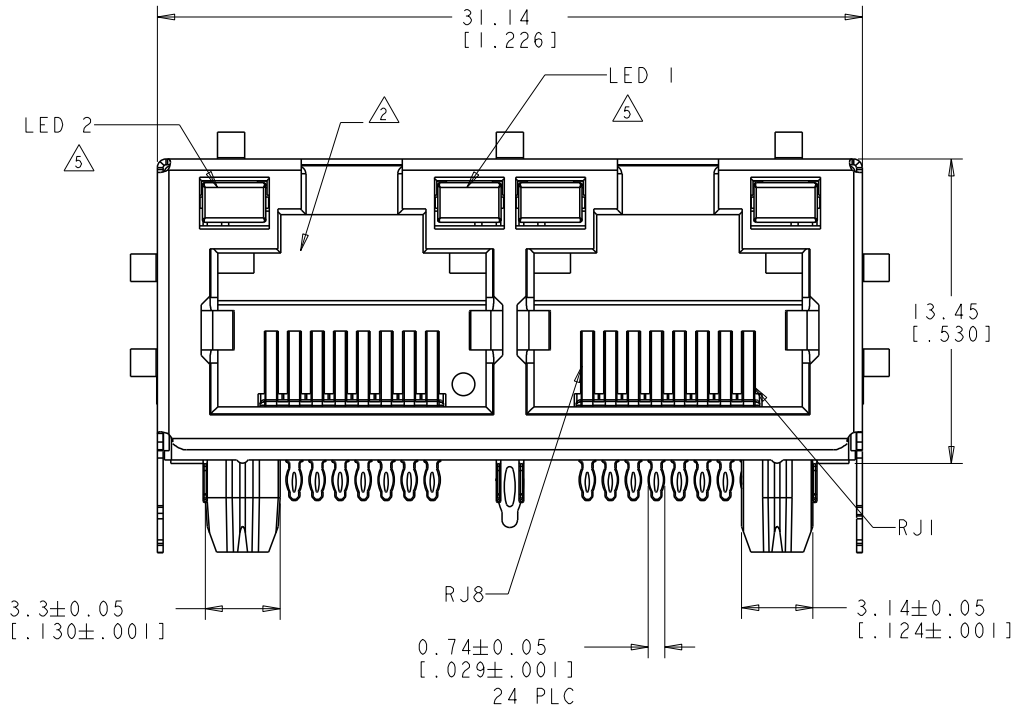
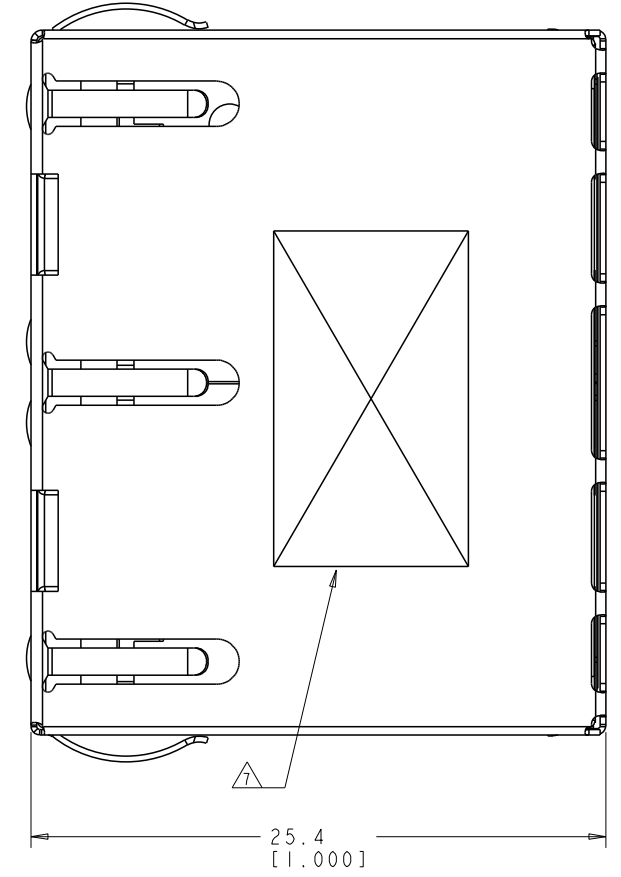
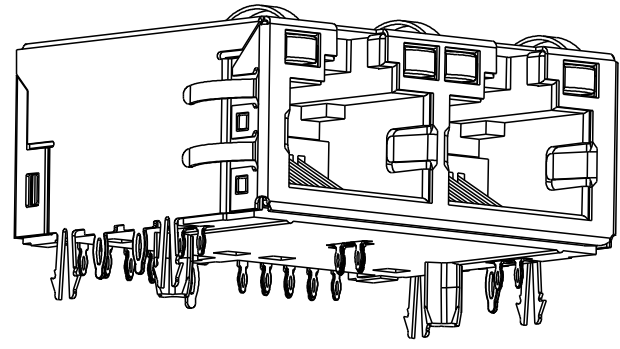


DATE	REV	REVISION CHANGES	ECN	APP'D. BY
01-10-2018	X0	INITIAL RELEASE	-	TY
06-13-2018	A0	PRODUCTION RELEASE	-	TY

1. MATERIALS:
 -HOUSING: THERMOPLASTIC, BLACK, FLAMMABILITY RATING UL 94V-0
 -SHIELD: 0.25mm THICK, BRASS PREPLATED WITH 0.76 um MIN SEMI-BRIGHT NICKEL;
 -CONTACT TAILS: 0.20mm THICK, PHOSPHOR BRONZE, 1.27 um MIN OVERALL NICKEL UNDERPLATE, 3 um MIN TIN PLATE
 -MOD JACK CONTACTS: 0.25mm THICK, PHOSPHOR BRONZE
 -LIGHT EMITTING DIODE (LED): DIFFUSED EPOXY LENS, CARBON STEEL WIREFRAME PREPLATED WITH 2.03 um SILVER PLATE OVER 1.02 um NICKEL OVER 1.02 um COPPER UNDERPLATES; LEADS POST-PLATED WITH 3.05 um TIN.
2. DIMENSIONS AND TOLERANCES COMPLY WITH TIA-1096 STANDARD.
3. ISOLATION VOLTAGE: 2250VDC (MAX) FOR 60 SECONDS WITH A RISE TIME OF 500V/SEC BETWEEN RJ SIDE AND THE SHIELD, AND WITH ALL PORTS CONNECTED.
4. OPERATING TEMPERATURE: FROM -40°C TO 85°C.
5. LEDs ARE DRIVEN WITH CONSTANT CURRENT AT APPROX 20 mA
 LED COLOR: DOMINANT WAVELENGTH (λ_D):
 GREEN 568 nm TYP @ IF=20 mA
 FORWARD VOLTAGE (VF): GREEN 2.2V TYP @ IF=20 mA
 DOMINANT WAVELENGTH (λ_D):
 YELLOW 588 nm TYP @ IF=20 mA
 FORWARD VOLTAGE (VF): YELLOW 2.1V TYP @ IF=20 mA
6. ALL DIMENSIONS ARE NOMINAL UNLESS OTHERWISE NOTED.
7. TRADEMARK, PART NUMBER, DATE CODE, COUNTRY OF ORIGIN, AND AGENCY APPROVAL MARKING IN APPROXIMATE LOCATION SHOWN
8. THE PART IS NOT DESIGNED FOR WAVE OR IR REFLOW SOLDERING APPLICATION
9. FOR PRODUCT SPECIFICATION SEE PR022-01.



GREEN/YELLOW LED 2	GREEN/YELLOW LED 1
1.27um [50 MICRO-INCHES] MIN. GOLD OVER 1.27um MIN. NICKEL UNDERPLATE	SS-74810-002
CONTACT PLATING IN MATING AREA	PART NUMBER

THIRD ANGLE PROJECTION

11118 Susquehanna Trail South
 Glen Rock, PA 17327-9199
 (717) 235-7512
<http://www.stewartconnector.com>

DO NOT SCALE DRAWING
 DRAWING IS SUBJECT TO CHANGE WITHOUT NOTICE

UNLESS OTHERWISE SPECIFIED TOLERANCES ARE ±0.13(.005) ANGLES ARE ±1°

THIS DRAWING AND THE SUBJECT MATTER SHOWN THEREON ARE CONFIDENTIAL AND THE PROPRIETARY PROPERTY OF STEWART CONNECTOR AND SHALL NOT BE REPRODUCED, COPIED, OR USED IN ANY MANNER WITHOUT PRIOR WRITTEN CONSENT OF STEWART CONNECTOR. ONE OR MORE U.S. PATENTS MAY APPLY TO THIS PRODUCT. FOR DETAILS, PLEASE VISIT: [HTTP://BELFUSE.COM/STEWART/STEWART.PATENTS/](http://BELFUSE.COM/STEWART/STEWART.PATENTS/)

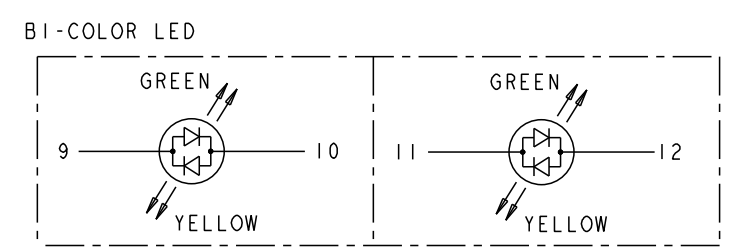
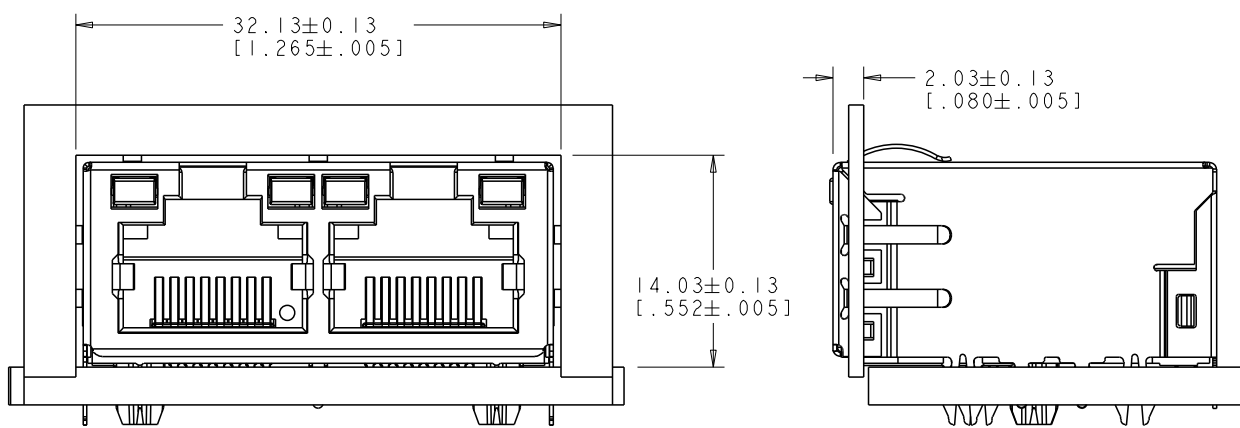
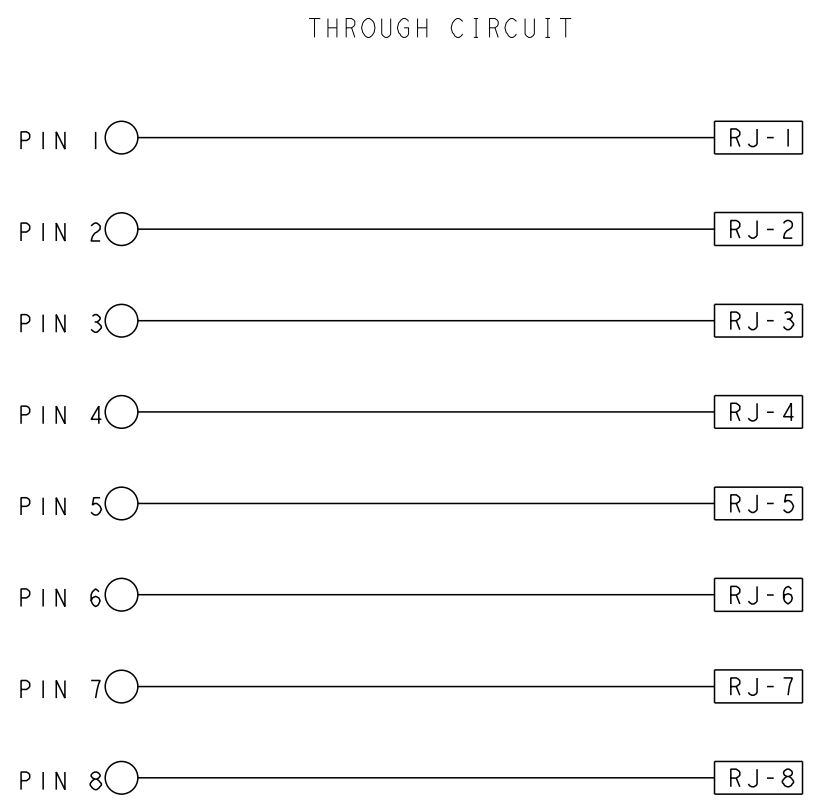
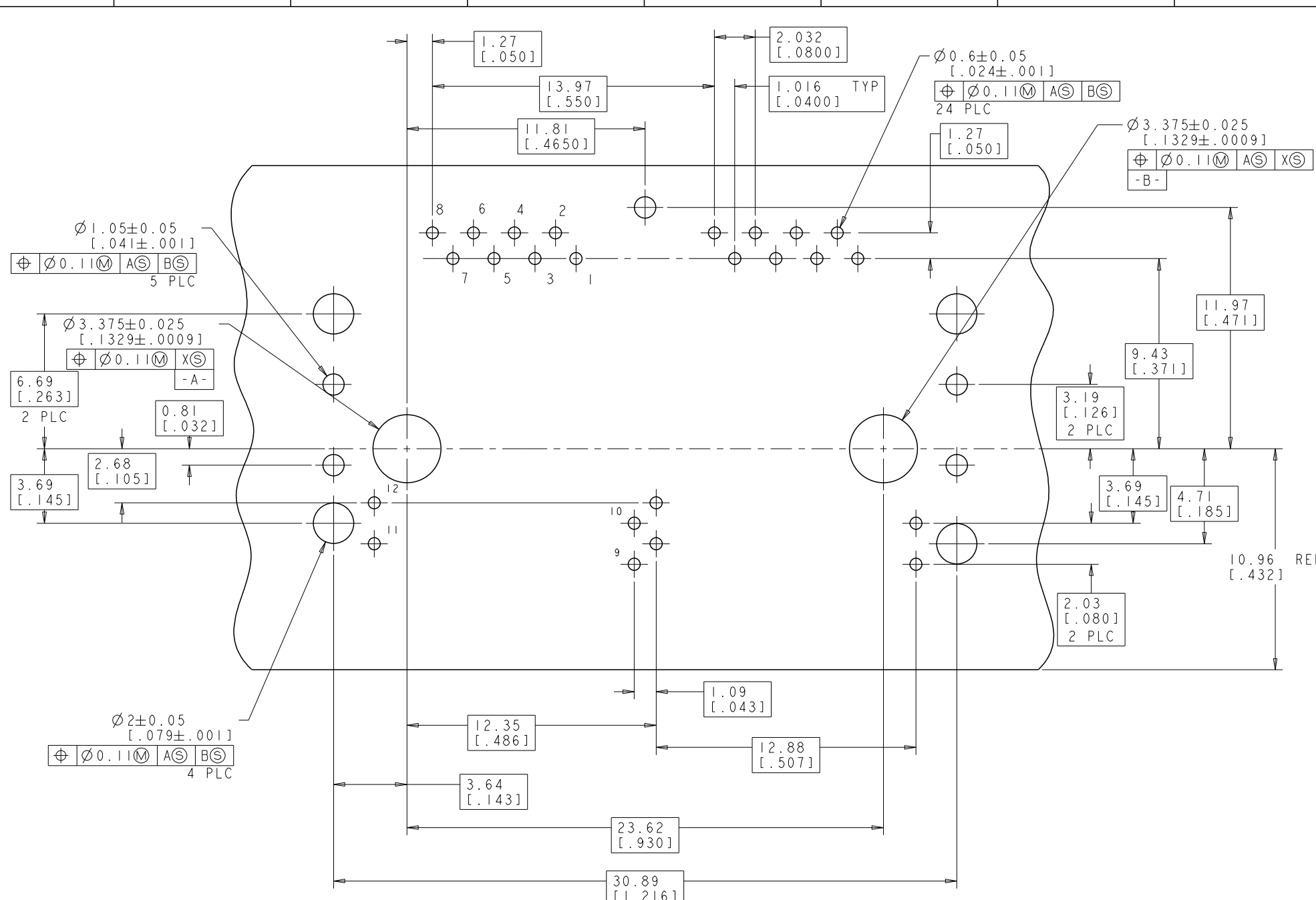
DRN BY: QUENTIN LIU DATE: 01-10-2018
 APP'D BY: TONY YUAN DATE: 01-10-2018

SHEET NO. 1 OF 4

REV. SS-74810-002

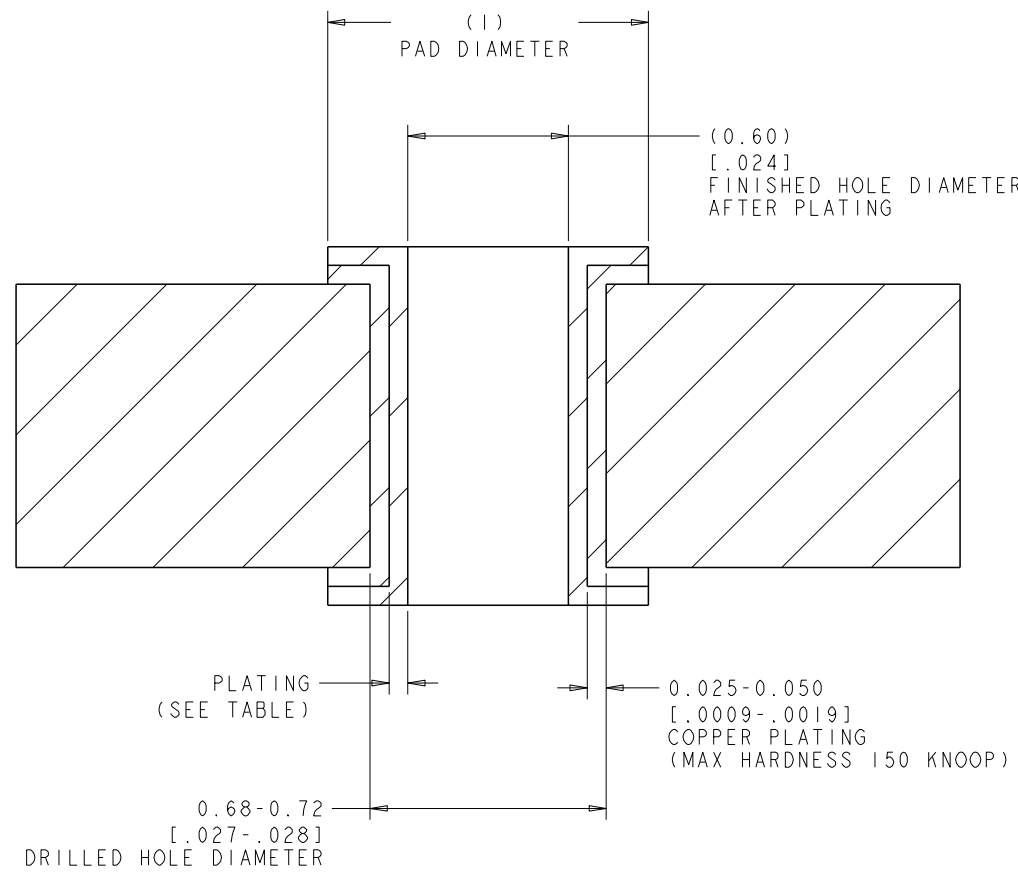


VD102654

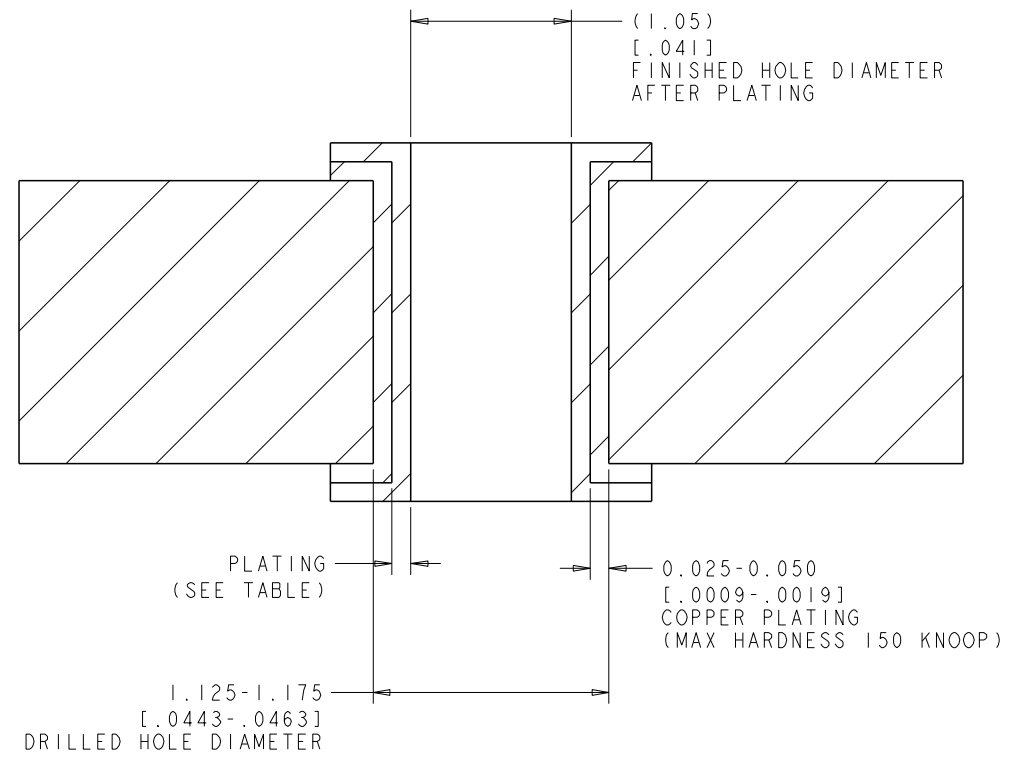


THIRD ANGLE PROJECTION				11118 Susquehanna Trail South Glen Rock, PA 17327-9199 (717) 235-7512 http://www.stewartconnector.com	
DO NOT SCALE DRAWING DRAWING IS SUBJECT TO CHANGE WITHOUT NOTICE		TITLE: 2 PORT (1X2) TAB UP PRESS FIT WITH BI-COLOR GREEN/YELLOW LEDS		DRN BY: QUENTIN LIU DATE: 01-10-2018	
DIMENSIONS: METRIC (INCHES) UNLESS OTHERWISE SPECIFIED TOLERANCES ARE ±.13 (1.005) ANGLES ARE ± 1°		THIS DRAWING AND THE SUBJECT MATTER SHOWN THEREON ARE CONFIDENTIAL AND THE PROPRIETARY PROPERTY OF STEWART CONNECTOR AND SHALL NOT BE REPRODUCED, COPIED, OR USED IN ANY MANNER WITHOUT PRIOR WRITTEN CONSENT OF STEWART CONNECTOR. ONE OR MORE U.S. PATENTS MAY APPLY TO THIS PRODUCT. FOR DETAILS, PLEASE VISIT: HTTP://BELFUSE.COM/STEWART/PATENTS/		APPD BY: TONY YUAN DATE: 01-10-2018	
SHEET NO: 2 OF 4		REV: A0		DWG NO: SS-74810-002	





RECOMMENDED HOLE DIMENSIONS FOR SIGNAL CONTACTS



RECOMMENDED HOLE DIMENSIONS FOR SHIELD CONTACTS

THICKNESS	PLATING
0.004-0.010 [.0002-.0004]	HOT AIR SOLDER LEVELING (HASL) TIN-LEAD (Sn Pb)
0.0005-0.001 [.00002-.00004]	IMMERSION TIN (Sn)
0.0002-0.0005 [.000008-.00002]	ORGANIC SOLDERABILITY PRESERVATIVE (OSP)
0.0001-0.0005 [.000004-.00002] Au, 0.004-0.0076 [.0002-.00030] Ni	IMMERSION GOLD (Au) OVER NICKEL (Ni) (ENIG)
0.010-0.025 [.0004-.0010]	TIN LEAD PLATING (Sn Pb)
0.0001-0.00015 [.000004-.000006]	IMMERSION SILVER (Ag)

THIRD ANGLE PROJECTION

DO NOT SCALE DRAWING
DRAWING IS SUBJECT TO CHANGE WITHOUT NOTICE

UNLESS OTHERWISE SPECIFIED DIMENSIONS: METRIC (INCHES) TOLERANCES ARE ±.13 (.005) ANGLES ARE ± 1°

THIS DRAWING AND THE SUBJECT MATTER SHOWN THEREON ARE CONFIDENTIAL AND THE PROPRIETARY PROPERTY OF STEWART CONNECTOR AND SHALL NOT BE REPRODUCED, COPIED, OR USED IN ANY MANNER WITHOUT PRIOR WRITTEN CONSENT OF STEWART CONNECTOR. ONE OR MORE U.S. PATENTS MAY APPLY TO THIS PRODUCT. FOR DETAILS, PLEASE VISIT: [HTTP://BELFUSE.COM/STEWART/STEWART.PATENTS/](http://BELFUSE.COM/STEWART/STEWART.PATENTS/)

11118 Susquehanna Trail South
Glen Rock, PA 17327-9199
(717) 235-7512
<http://www.stewartconnector.com>

stewart
CONNECTOR
a bel group

TITLE: 2 PORT (1X2) TAB UP PRESS FIT WITH BI-COLOR GREEN/YELLOW LEDS

DRN BY: QUENTIN LIU	DATE: 01-10-2018
APPD BY: TONY YUAN	DATE: 01-10-2018
DRW NO: SS-74810-002	REV: A0

SHEET NO: 3 OF 4

RoHS

H

H

G

G

F

F

E

E

D

D

C

C

B

B

A

A

SS-74810-002				STOCK DISPOSITION				
2 PORT (1X2) TAB UP PRESS FIT WITH BI-COLOR GREEN/YELLOW LEDS				A: CONTINUE AS IS		D: USE OLD FIRST		
REVISION HISTORY				B: REWORK		E: PARTS TO CONFORM		
C: SCRAP				F: OTHER				
DATE	REV	CHANGES	REASON	APPROVAL	INVENTORY (A,B,C,D,E,F)	WORK IN PROCESS (A,B,C,F)	SUPPLIER ORDERS (A,E,F)	OPEN CUST ORDERS (A,E,F)
01-10-2018	X0	INITIAL RELEASE.	-	TONY YUAN	-	-	-	-
01-15-2018	X1	NOTE 1 UPDATE HOUSING MATERIAL	DESIGN REQUIREMENT	TONY YUAN	-	-	-	-
01-18-2018	X2	UPDATE TITLE DESCRIPTION	DESIGN REQUIREMENT	TONY YUAN	-	-	-	-
01-19-2018	X3	UPDATE DRAWING FORMAT AND NOTE	DESIGN REQUIREMENT	TONY YUAN	-	-	-	-
06-13-2018	A0	PRODUCTION RELEASE	DESIGN REQUIREMENT	TONY YUAN	-	-	-	-

THIRD ANGLE PROJECTION



DO NOT SCALE DRAWING
DRAWING IS SUBJECT TO CHANGE WITHOUT NOTICE

UNLESS OTHERWISE SPECIFIED TOLERANCES ARE ±.13 (1.005) ANGLES ARE ± 1°

THIS DRAWING AND THE SUBJECT MATTER SHOWN THEREON ARE CONFIDENTIAL AND THE PROPRIETARY PROPERTY OF STEWART CONNECTOR AND SHALL NOT BE REPRODUCED, COPIED, OR USED IN ANY MANNER WITHOUT PRIOR WRITTEN CONSENT OF STEWART CONNECTOR. ONE OR MORE U.S. PATENTS MAY APPLY TO THIS PRODUCT. FOR DETAILS, PLEASE VISIT: [HTTP://BELFUSE.COM/STEWART/STEWART_PATENTS/](http://BELFUSE.COM/STEWART/STEWART_PATENTS/)

1118 Susquehanna Trail South
Glen Rock, PA 17327-9199
(717) 235-7512
<http://www.stewartconnector.com>

stewart
CONNECTOR
a bel group

TITLE: 2 PORT (1X2) TAB UP PRESS FIT WITH BI-COLOR GREEN/YELLOW LEDS

DRN BY: QUENTIN LIU	DATE: 01-10-2018
APPD BY: TONY YUAN	DATE: 01-10-2018
DRW NO: SS-74810-002	REV: A0

SHEET NO: 4 OF 4

