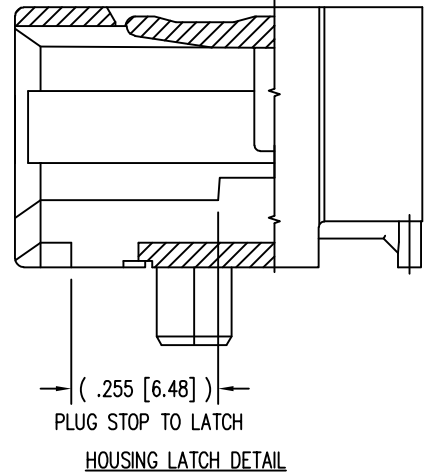
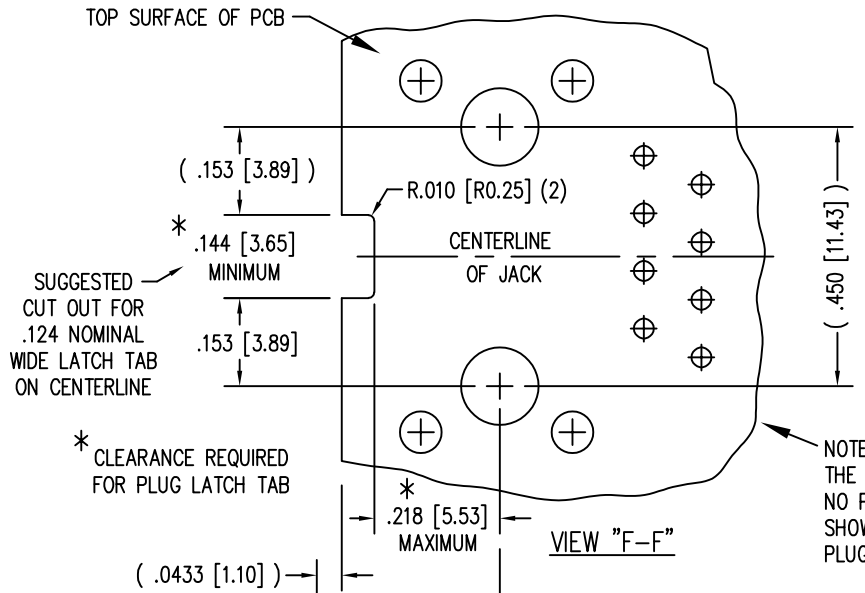
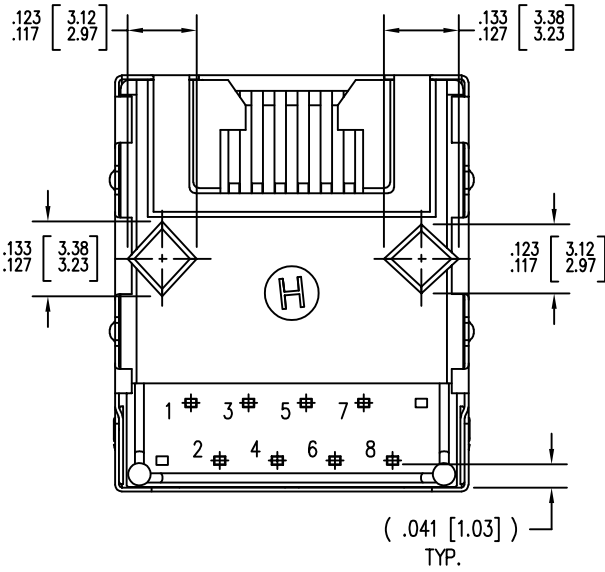
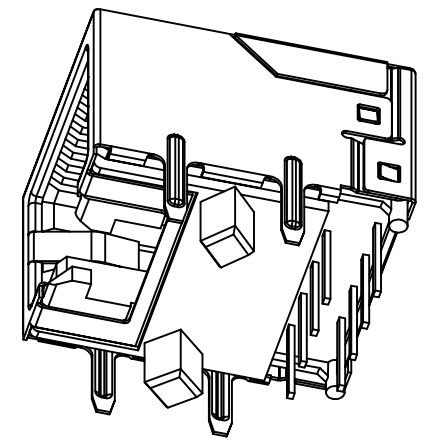
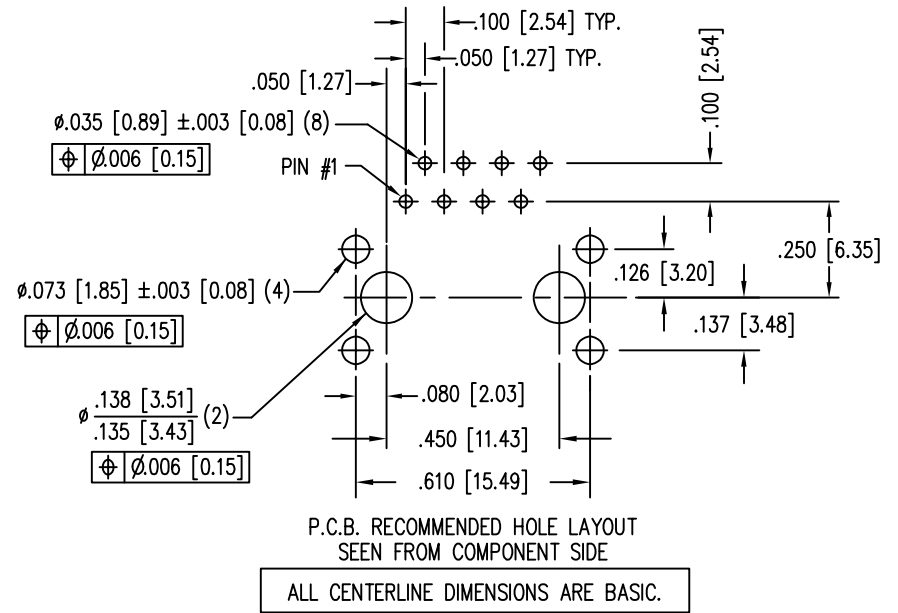
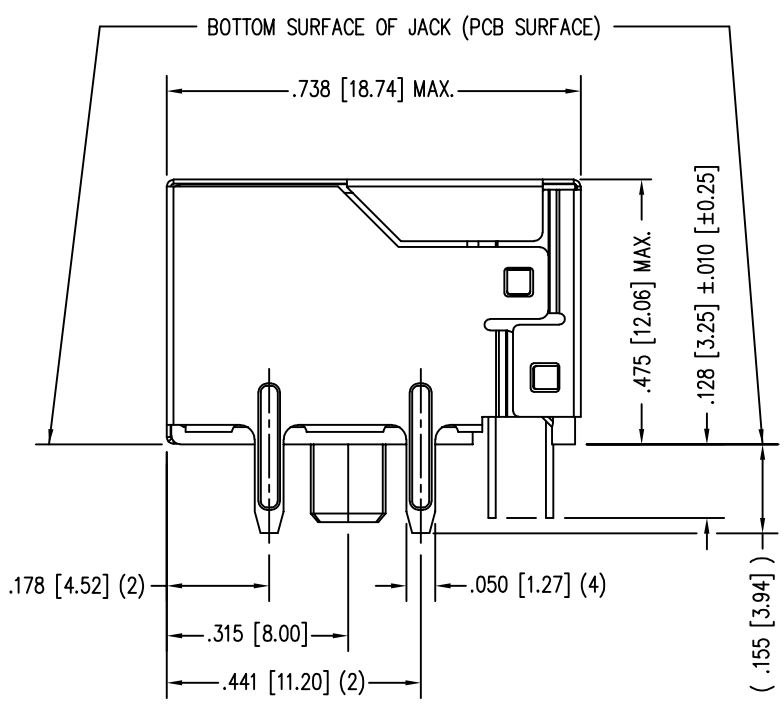
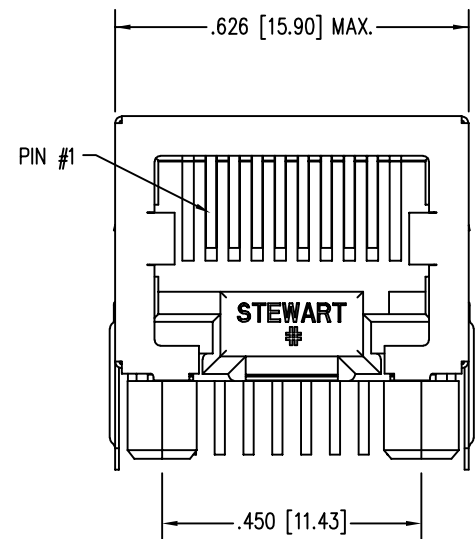
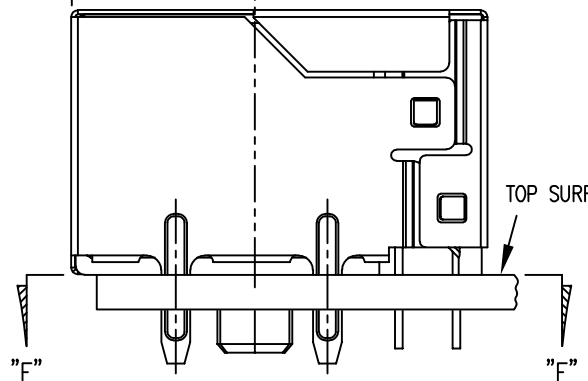
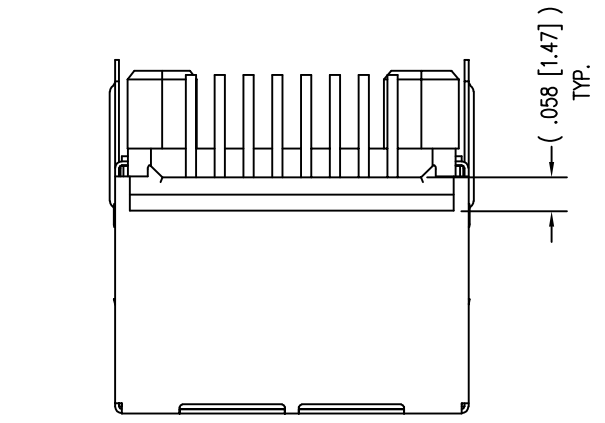


DATE	REV	ECN	APP'D. BY
8-28-15	B2	10406	TRM
3-16-16	B3	10627	TRM
03-06-17	B4	10916	TRM
2-05-18	B5	11192	DHG



- NOTES:
- CONNECTOR MATERIALS:  
HOUSING: THERMOPLASTIC UL94 V-0  
CONTACTS/SHIELD: COPPER ALLOY  
SHIELD PLATING: NICKEL  
CONTACT PLATING: SELECTIVE GOLD IN CONTACT AREA  
SEE CHART FOR PART NUMBER
  - FOR PRODUCT SPECIFICATIONS SEE PR022-01
  - RATED AT MAX. 260°C FOR MAX. 10 SECS.
  - DIMENSIONS AND TOLERANCES COMPLY WITH TIA-1096 STANDARD
  - SHIELD TAILS ARE TIN DIPPED.

30 MICRO-INCHES [0.76um]	SS70100-053F	PACKAGED ON TAPE & REEL
CONTACT PLATING IN MATING AREA	PART NUMBER	



NOTE: THIS VIEW IS LOOKING AT THE TOP SURFACE OF THE PCB NO PART OF THE CONNECTOR IS SHOWN SO AS TO DIMENSION THE PLUG LATCH CUTOUT AND LOCATION



THIRD ANGLE PROJECTION
DO NOT SCALE DRAWING DRAWING IS SUBJECT TO CHANGE WITHOUT NOTICE
DIMENSIONS: INCHES [METRIC]
UNLESS OTHERWISE SPECIFIED TOLERANCES ARE ±.005 [0.13] ANGLES ARE ± 1°
SHEET NO. 1 OF 2



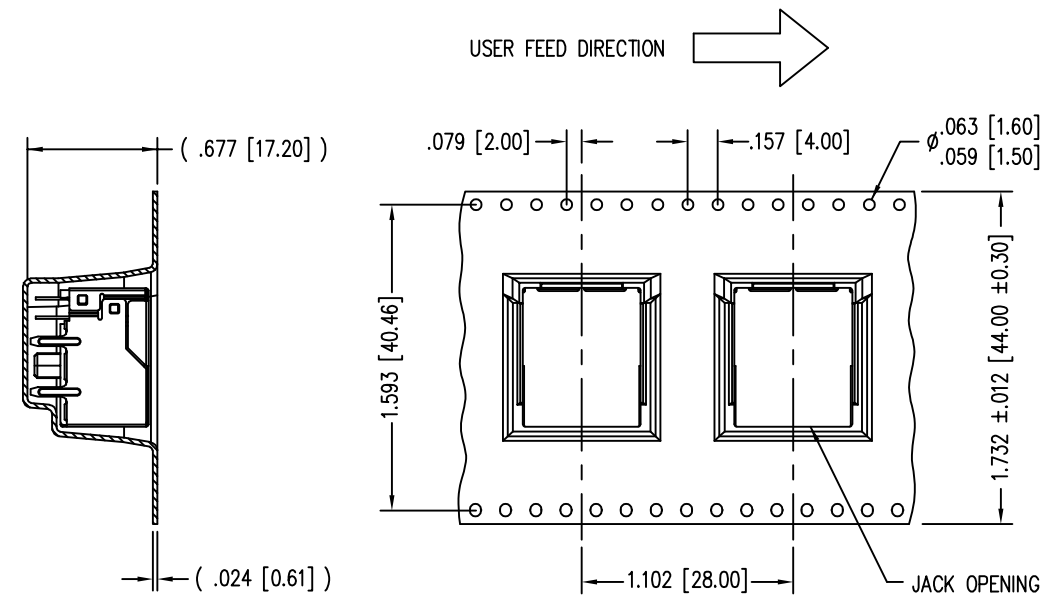
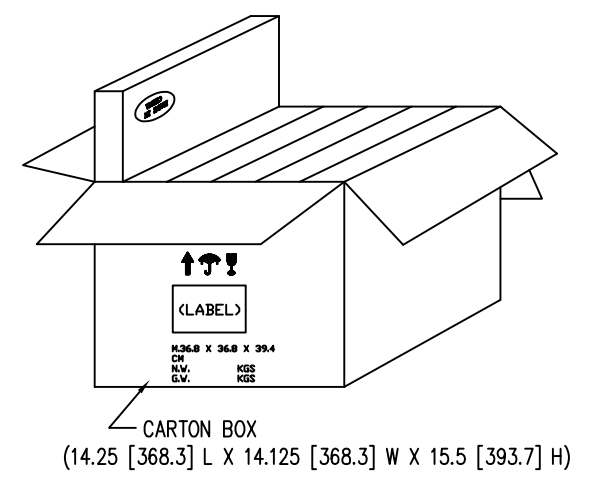
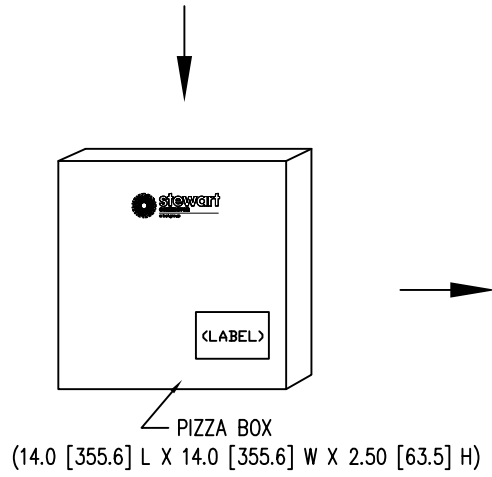
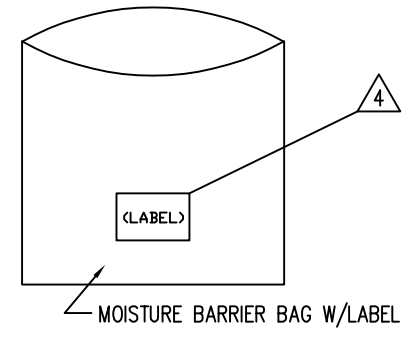
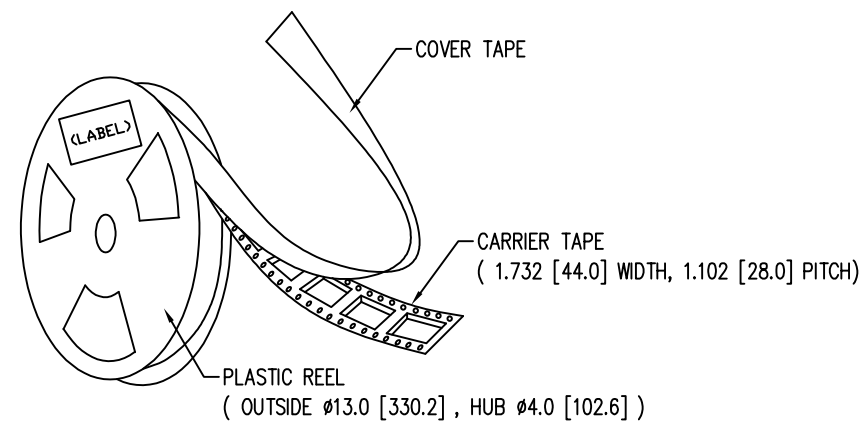
**stewart**  
CONNECTOR  
a bel group

1118 Susquehanna Trail South  
Glen Rock, PA 17327-9199  
(717) 235-7512  
<http://www.stewartconnector.com>

TITLE: 8 CONT, 10 POS, SHLD MICRO JACK, HIGH TEMP, NO PANEL GRDS 4 SOLDER TAILS, DIAMOND POSTS, REDUCED LATCH CLEARANCE

THIS DRAWING AND THE SUBJECT MATTER SHOWN THEREON ARE CONFIDENTIAL AND THE PROPRIETARY PROPERTY OF STEWART CONNECTOR AND SHALL NOT BE REPRODUCED, COPIED, OR USED IN ANY MANNER WITHOUT PRIOR WRITTEN CONSENT OF STEWART CONNECTOR. ONE OR MORE U.S. PATENTS MAY APPLY TO THIS PRODUCT. FOR DETAILS, PLEASE VISIT: [HTTP://BELFUSE.COM/STEWART/STEWART\\_PATENTS/](http://BELFUSE.COM/STEWART/STEWART_PATENTS/)

DRN BY: TRM	DATE: 7-30-14
APPD BY: DHG	DATE: 8-27-14
DWG NO. CT700067F	REV. B5



- NOTES:
1. EACH PIZZA BOX CONTAINS ONE ( 1 ) REEL.  
( 130 PARTS IN EACH PIZZA BOX )
  2. EACH CARTON BOX CONTAINS SIX ( 6 ) PIZZA BOXES.  
( 780 PARTS IN EACH CARTON BOX )
  3. EACH REEL IS PACKED IN A HEAT SEALED MOISTURE BARRIER BAG ALONG WITH DESICCANT AND MOISTURE INDICATOR CARD.
- △ ALL LABELS TO INCLUDE:
- P/N
  - QTY
  - REV
  - MSL 3
  - MANUFACTURING DATE



THIRD ANGLE PROJECTION 	 1118 Susquehanna Trail South Glen Rock, PA 17327-9199 (717) 235-7512 <a href="http://www.stewartconnector.com">http://www.stewartconnector.com</a>
DO NOT SCALE DRAWING DRAWING IS SUBJECT TO CHANGE WITHOUT NOTICE	TITLE: 8 CONT, 10 POS, SHLD MICRO JACK, HIGH TEMP, NO PANEL GRDS 4 SOLDER TAILS, DIAMOND POSTS, REDUCED LATCH CLEARANCE
DIMENSIONS: INCHES [METRIC]	DRN BY: TRM DATE 7-30-14
UNLESS OTHERWISE SPECIFIED TOLERANCES ARE ±.005 [0.13] ANGLES ARE ± 1°	APPD BY: DHG DATE 8-27-14
SHEET NO. 2 OF 2	DWG NO. CT700067F REV. B5