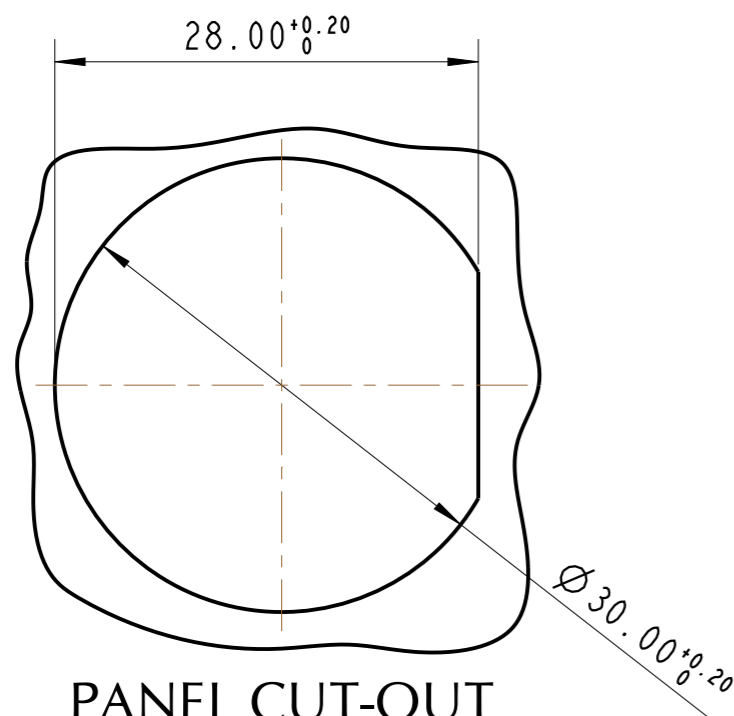


INSERT  
2CH OR 4CH  
(SEE TABLE)

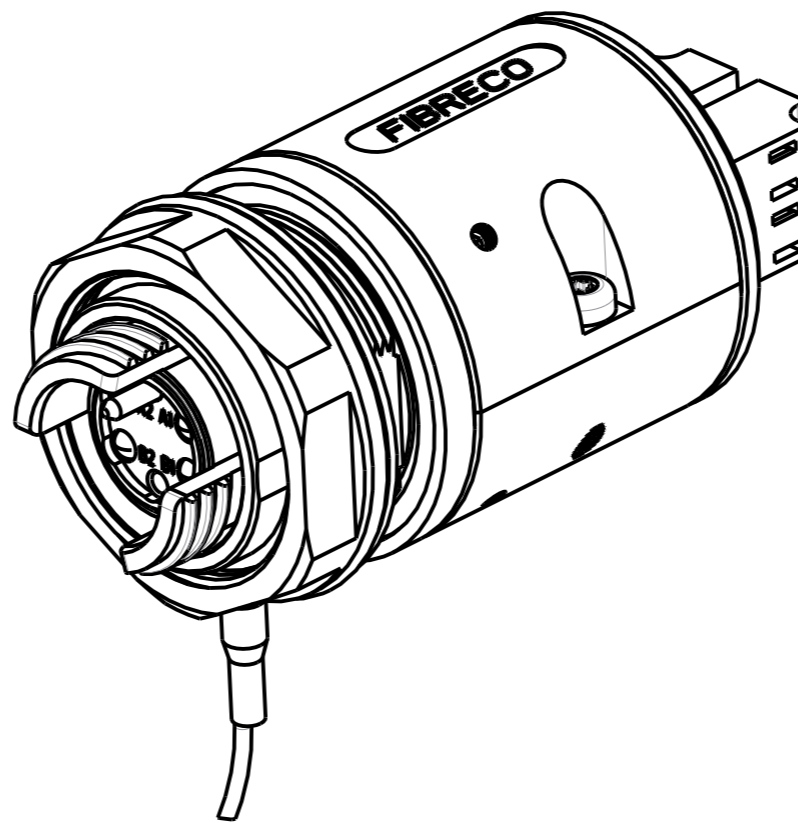


PANEL CUT-OUT

ADAPTER OPTIONS	
INSERT	CONNECTOR INTERFACE
2 CHANNEL	2 WAY LC
4 CHANNEL	2 WAY LC 2 WAY LC

ADAPTER COLOURS	
FIBRE TYPE	ADAPTER COLOUR
9/125	BLUE
9/125 APC	GREEN
50/125 (OM3, OM4)	AQUA
62.5/125	BEIGE

CONNECTOR MATERIAL OPTIONS		
CONNECTOR		DUST CAP MATERIAL
MATERIAL	FINISH	MATERIAL
ALUMINIUM ALLOY	HARD ANODISE	ZYTEL
ALUMINIUM ALLOY	ZINC COBALT	ZYTEL
STAINLESS STEEL 316L	PASSIVATE	ZYTEL



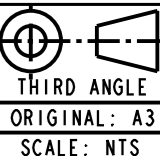
NOTE:

1. PANEL NUT TORQUE VALUE: 20Nm MIN - 40Nm MAX.  
THE PANEL O-RING MUST BE FULLY COMPRESSED.

UNLESS OTHERWISE STATED:  
ALL DIMENSIONS ARE IN mm

CONFIDENTIAL - THE INFORMATION CONTAINED  
IN THIS DRAWING IS THE SOLE PROPERTY OF  
CINCH CONNECTIVITY SOLUTIONS LTD. ANY  
REPRODUCTION IN PART OR AS A WHOLE WITHOUT  
THE WRITTEN PERMISSION OF CINCH CONNECTIVITY  
SOLUTIONS LTD IS PROHIBITED

Cinch Connectivity Solutions LTD  
11 BILTON ROAD, CHELMSFORD, ESSEX. CMI 2UP  
TEL: +44 (0) 1245 342060



ISSUE	CHANGE DESCRIPTION	DRN	CHKD	DATE
I	FIRST ISSUE	MEH	GM	25/08/23

DRAWING TITLE  
**JUNIOR BULKHEAD D 2CH & 4CH LOW PROFILE  
CONVERTER TO LC - CUSTOMER OUTLINE**

DRAWING NUMBER  
**7437-C**

SHEET 1  
OF 1