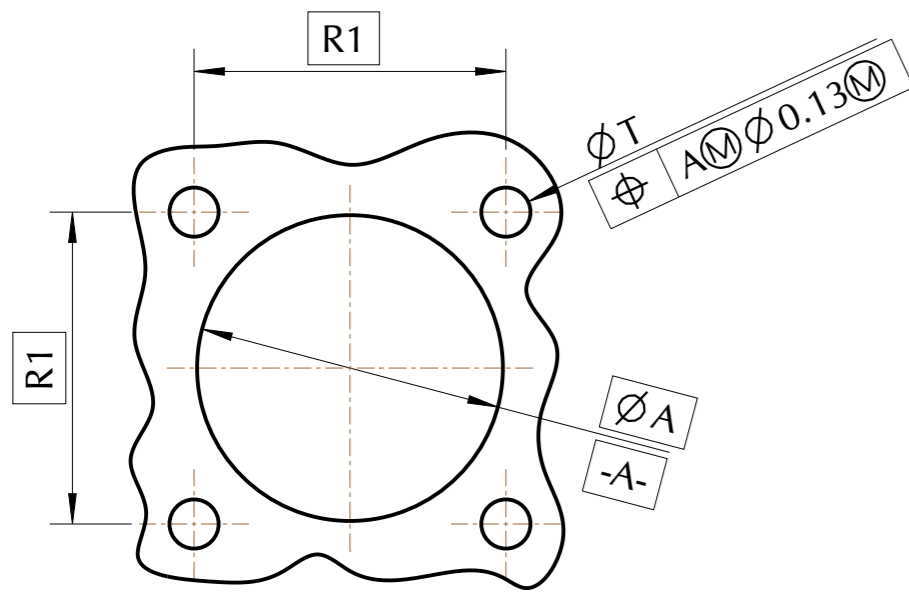
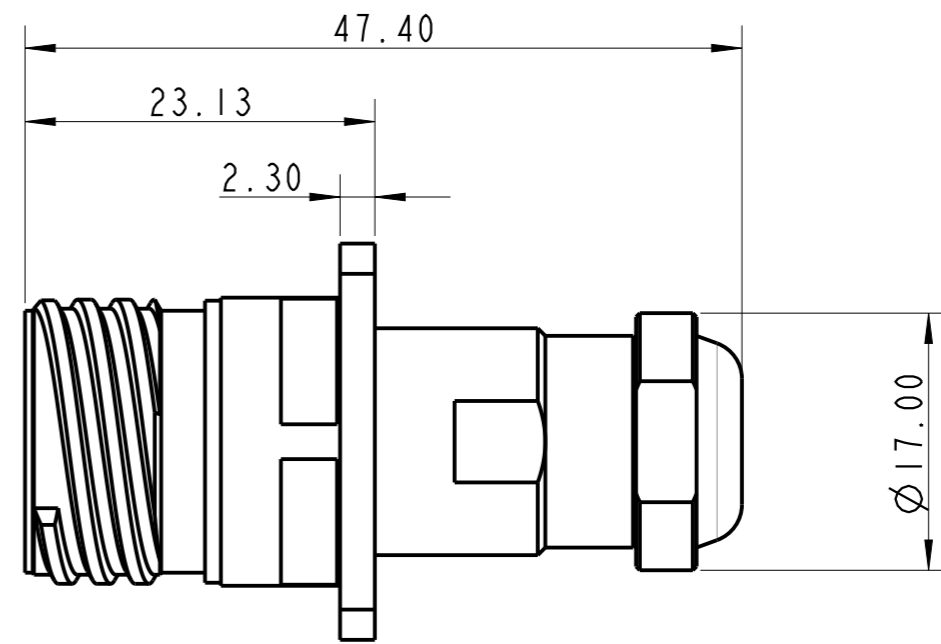
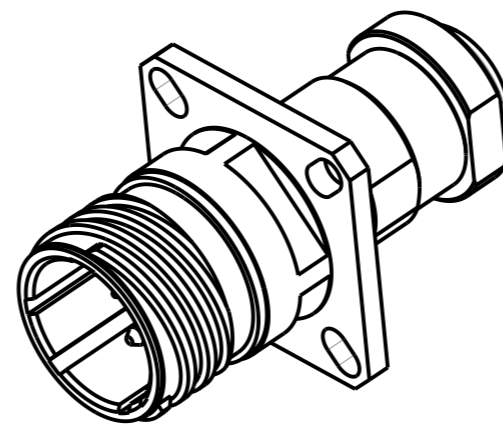


MT FERRULE KIT
(MALE)
12CH OR 24CH
(SEE NOTE 4)



PANEL CUT-OUT
FRONT & REAR MOUNT

| RECOMMENDED PANEL DIMENSIONS | | | |
|------------------------------|------------------|------------------|-----------------|
| SHELL SIZE | ØA MIN | R1 | T ±0.13 |
| 11 | 20.22 (0.796) | 20.62 (0.812) | 3.25 (0.128) |



NOTE:

- 38999 PANEL HOUSING KEY POLARIZATION - 'N' HOUSING MAY BE SUPPLIED IN OTHER POLARIZATIONS.
- CABLE DIAMETER: Ø0.25mm TO Ø0.9mm
- FOR SHELL KIT REFER TO PART NUMBERING SCHEME: WI 81-68
- MT FERRULE KIT SUPPLIED SEPARATELY, SEE PART NUMBERING SCHEME: WI 81-66

| CONNECTOR MATERIAL OPTIONS | |
|----------------------------|---------------------------|
| MATERIAL | FINISH |
| ALUMINIUM ALLOY | ZINC COBALT |
| STAINLESS STEEL 316L | PASSIVATE |
| NICKEL ALUMINIUM BRONZE | NON-REFLECTIVE SHOT BLAST |

| | | | |
|--|---------------------|---|---|
| UNLESS OTHERWISE STATED: ALL DIMENSIONS ARE IN mm | | CONFIDENTIAL - THE INFORMATION CONTAINED IN THIS DRAWING IS THE SOLE PROPERTY OF CINCH CONNECTIVITY SOLUTIONS LTD. ANY REPRODUCTION IN PART OR AS A WHOLE WITHOUT THE WRITTEN PERMISSION OF CINCH CONNECTIVITY SOLUTIONS LTD IS PROHIBITED | |
| I | PRODUCTION RELEASE | MEH | GM 05/04/23 |
| A | FIRST ISSUE | MEH | GM 13/06/23 |
| ISSUE | CHANGE DESCRIPTION | DRN | CHKD DATE |
| DRAWN MEH | MATERIAL SEE BOM | FINISH SEE BOM | ASSEMBLIES TO BE CLEAN & FREE FROM ALL BURRS & SHARP EDGES |
| CHECKED GM | | | |

| |
|---|
| DRAWING TITLE MT SQ-FLANGE RECEPTACLE LOW PROFILE D38999 TYPE III #11 - CUSTOMER OUTLINE |
|---|

| |
|--|
| Cinch Connectivity Solutions LTD 11 BILTON ROAD, CHELMSFORD, ESSEX. CMI 2UP TEL: +44 (0) 1245 342060 |
| DRAWING NUMBER 7063-C |

| |
|---|
| |
| THIRD ANGLE ORIGINAL: A3 SCALE: NTS |
| SHEET 1 OF 1 |