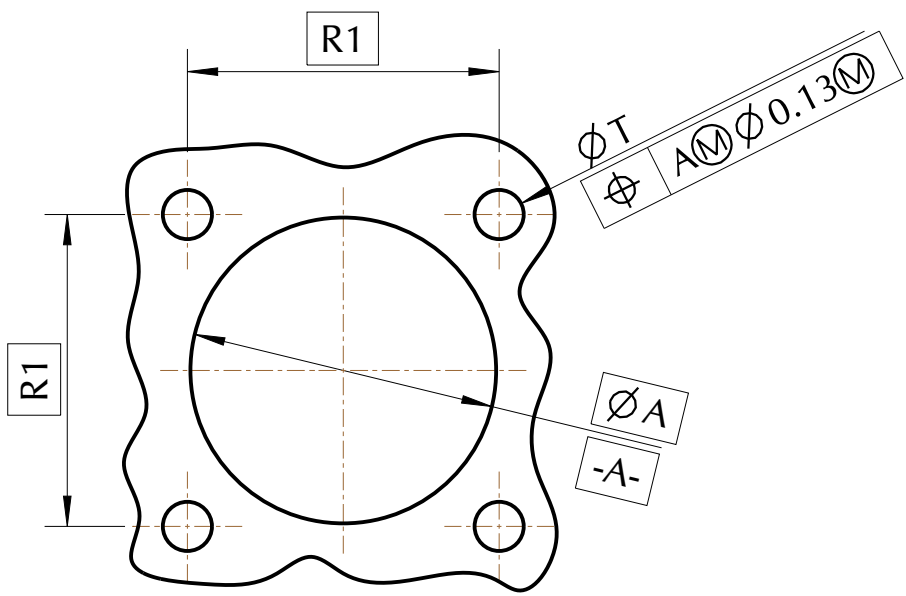
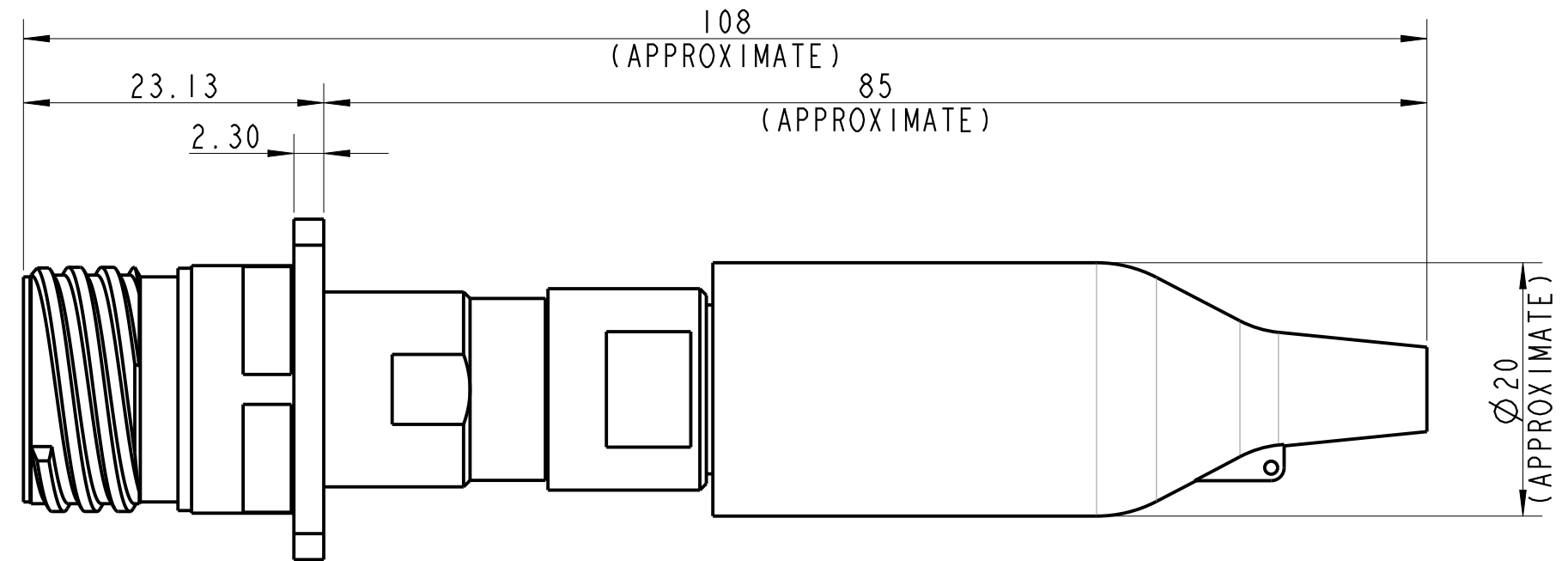
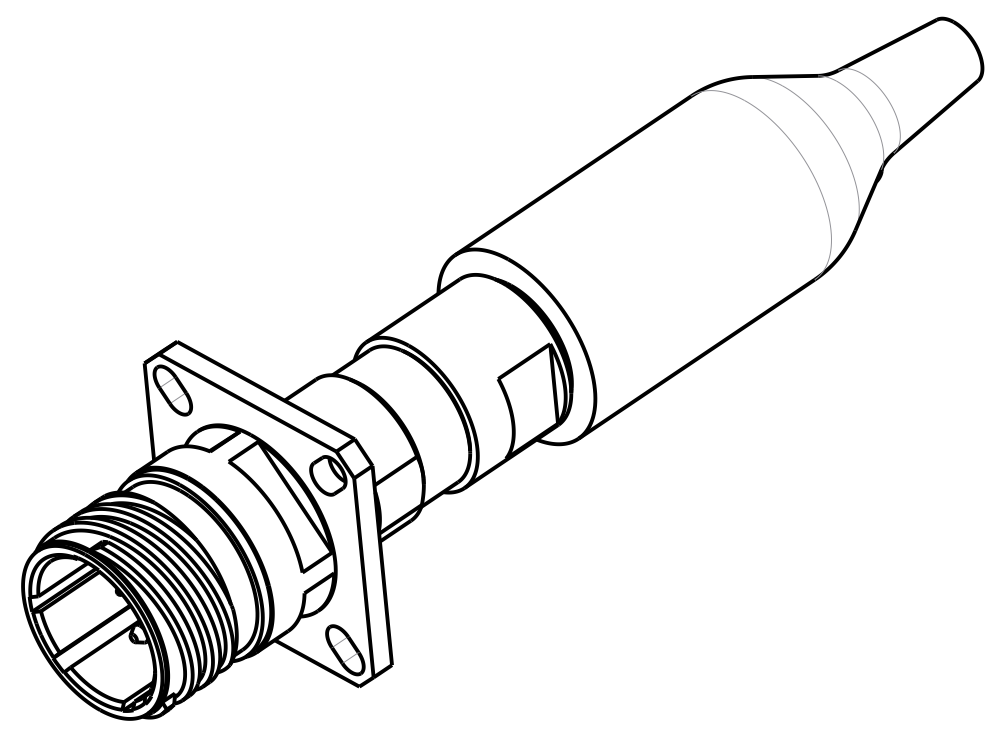


MT FERRULE KIT  
(MALE)  
12CH OR 24CH  
(SEE NOTE 4)



PANEL CUT-OUT  
FRONT & REAR MOUNT



NOTE:

- 38999 PANEL HOUSING KEY POLARIZATION - 'N' HOUSING MAY BE SUPPLIED IN OTHER POLARIZATIONS.
- CABLE DIAMETER: Ø3.0mm TO Ø5.5mm  
FOR STRAIN RELIEF KIT REFER TO PART NUMBERING SCHEME: WI 81-67
- FOR SHELL KIT REFER TO PART NUMBERING SCHEME: WI 81-65
- MT FERRULE KIT SUPPLIED SEPARATELY, SEE PART NUMBERING SCHEME: WI 81-66

RECOMMENDED PANEL DIMENSIONS			
SHELL SIZE	ØA MIN	R1	T ±0.13
11	20.22 (0.796)	20.62 (0.812)	3.25 (0.128)

CONNECTOR MATERIAL OPTIONS	
MATERIAL	FINISH
ALUMINIUM ALLOY	ZINC COBALT
STAINLESS STEEL 316L	PASSIVATE
NICKEL ALUMINIUM BRONZE	NON-REFLECTIVE SHOT BLAST

I PRODUCTION RELEASE		MEH	GM	05/04/23	UNLESS OTHERWISE STATED: ALL DIMENSIONS ARE IN mm	CONFIDENTIAL - THE INFORMATION CONTAINED IN THIS DRAWING IS THE SOLE PROPERTY OF CINCH CONNECTIVITY SOLUTIONS LTD. ANY REPRODUCTION IN PART OR AS A WHOLE WITHOUT THE WRITTEN PERMISSION OF CINCH CONNECTIVITY SOLUTIONS LTD IS PROHIBITED	Cinch Connectivity Solutions LTD 11 BILTON ROAD, CHELMSFORD, ESSEX. CMI 2UP TEL: +44 (0) 1245 342060	 THIRD ANGLE ORIGINAL: A3 SCALE: NTS
B NOTE 3 ADDED		MEH	GM	12/10/21				
A FIRST ISSUE		MEH	GM	13/06/23				
ISSUE	CHANGE DESCRIPTION	DRN	CHKD	DATE	DRAWING TITLE		DRAWING NUMBER	SHEET 1 OF 1
DRAWN MEH	MATERIAL SEE BOM	FINISH SEE BOM		ASSEMBLIES TO BE CLEAN & FREE FROM ALL BURRS & SHARP EDGES	MT SQ-FLANGE RECEPTACLE		6762-C	
CHECKED GM					D38999 TYPE III #11 - CUSTOMER OUTLINE			