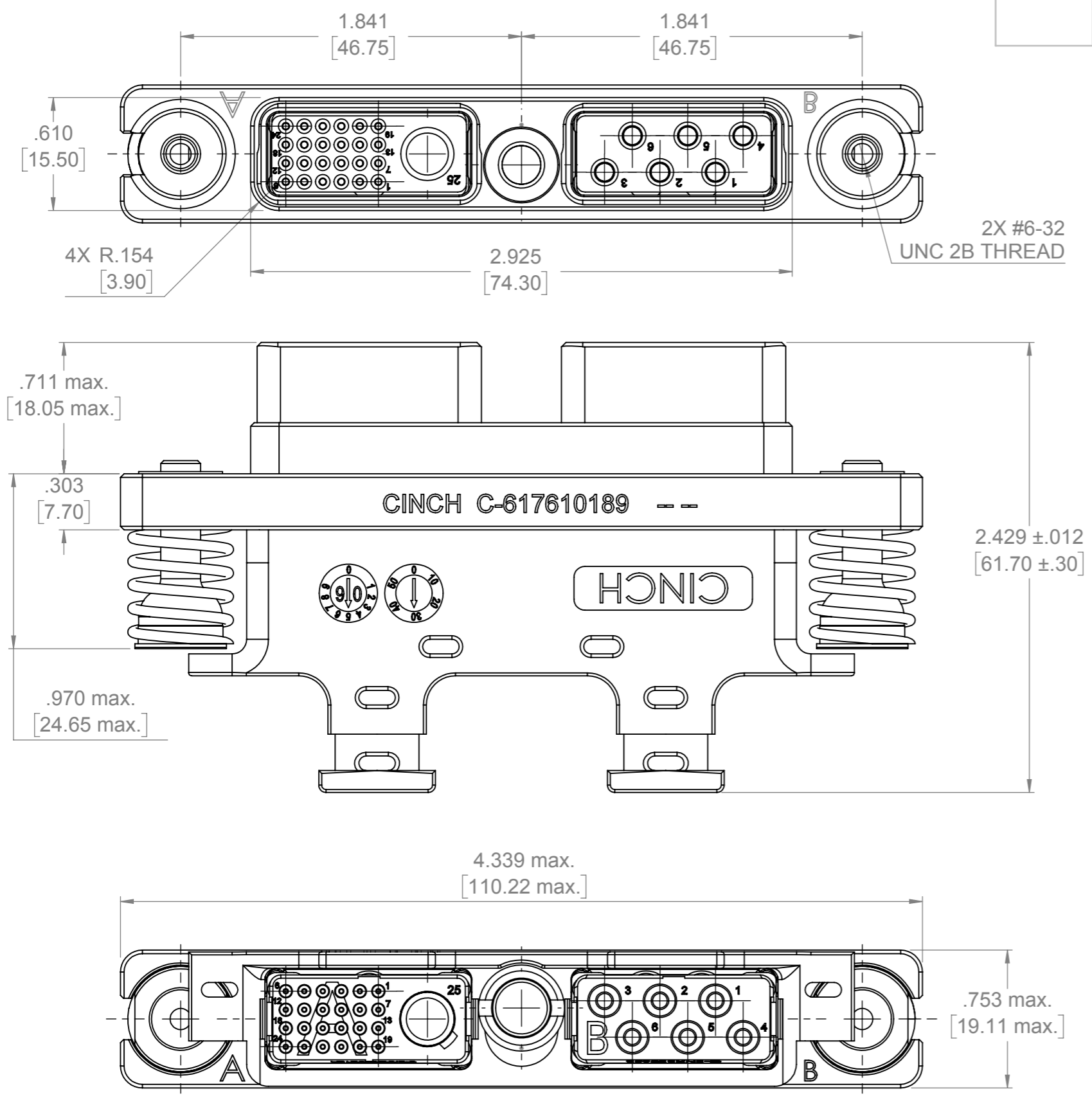


CINCH PART NUMBER	RADIALL PART NUMBER
C-617610189	617610189

NOTES:  
 1. ALL DIMENSIONS ARE INCH [MM] AND ARE FOR REFERENCE  
 2. CUSTOMER APPROVAL REQUIRED

<b>SERIES</b> C-ENX	DESIGNATION <b>C-ENX B2 PLUG CONNECTOR</b> A: 25 POS. INSERT #22 & #8 CONTACT B: 6 POS. INSERT #12 CONTACT	<b>C-617610189-S</b>	<b>A</b>
	FINISH		

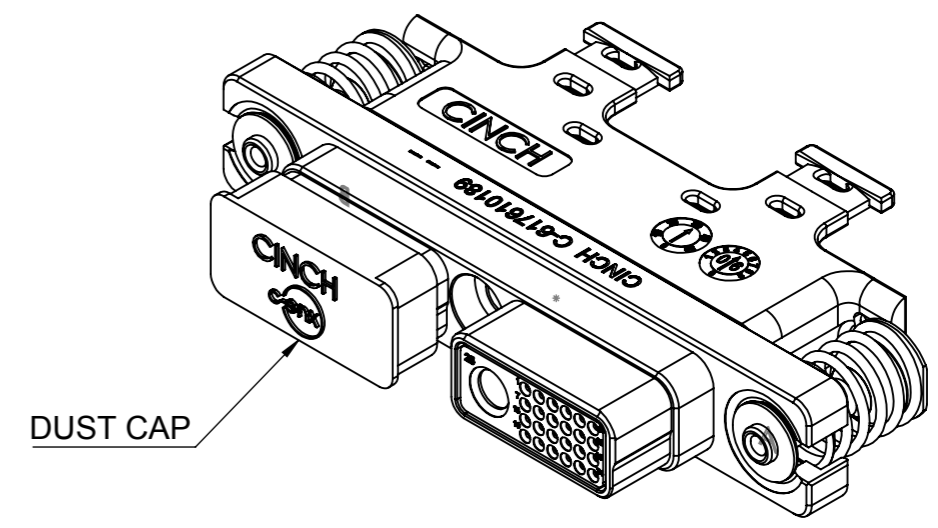


**MATERIALS & FINISHES:**

- SHELL: ALUMINIUM ALLOY 6061 T651; NICKEL PLATED.
- INSERT RETENTION CLIP: BERYLLIUM COPPER.
- GUIDE PIN, SPRING, FLOATING MOUNT, LOCKNUT: STAINLESS STEEL.
- STRAIN RELIEF: HIGH GRADE PLASTIC
- INSERT: THERMOSET PLASTIC WITH METALLIC CLIPS.
- REAR GROMMET: FLUOROSILICONE ELASTOMER.
- CONTACT: COPPER ALLOY, GOLD OVER NICKEL PLATED.
- DUST CAP: THERMOPLASTIC.

**CONNECTOR SUPPLIED WITH :**

- 1 INSERT FOR 24 SIZE 22 & 1 SIZE 8 SOCKET CONTACTS, P/N C-ENXBE25Q1SA, INSTALLED.
- 1 INSERT FOR 6 SIZE 12 SOCKET CONTACTS, P/N C-ENXBE06SB, INSTALLED.
- 16X SIZE 22 CRIMP SOCKET CONTACTS, P/N C-617300, UNINSTALLED.
- 6X SIZE 12 CRIMP SOCKET CONTACTS, P/N C-617350, UNINSTALLED.
- 9X FILLER PLUG. PN: C-616910, UNINSTALLED
- 1X FILLER PLUG, PN: C-618915, UNINSTALLED
- DUST CAP INSTALLED ON EACH CAVITY.



					ALL DIMENSIONS ARE PLATING INCLUDED		Sheet: 1 of 2		VOL :		WEIGHT :		SURF.:	
					Gen. Tol. ± inches   °		SCALE: 3:2		A3		<b>CINCH</b> CONNECTIVITY SOLUTIONS		This document is the property of CINCH. It cannot be reproduced or communicated to a third party without a prior written permission	
					Ra ✓		DRAWN 03/27/19		CF					
A	4070	INITIAL RELEASE			11/21/19	MS	MATERIAL		CHECKED					
IND	ECN	MODIFICATION			DATE	NAME	TREATMENT		DRAWN NAME					
A	CREATION	PEN: .	EP: .	N°Provisional:.	DATE .	NAME .			CHECKED NAME					

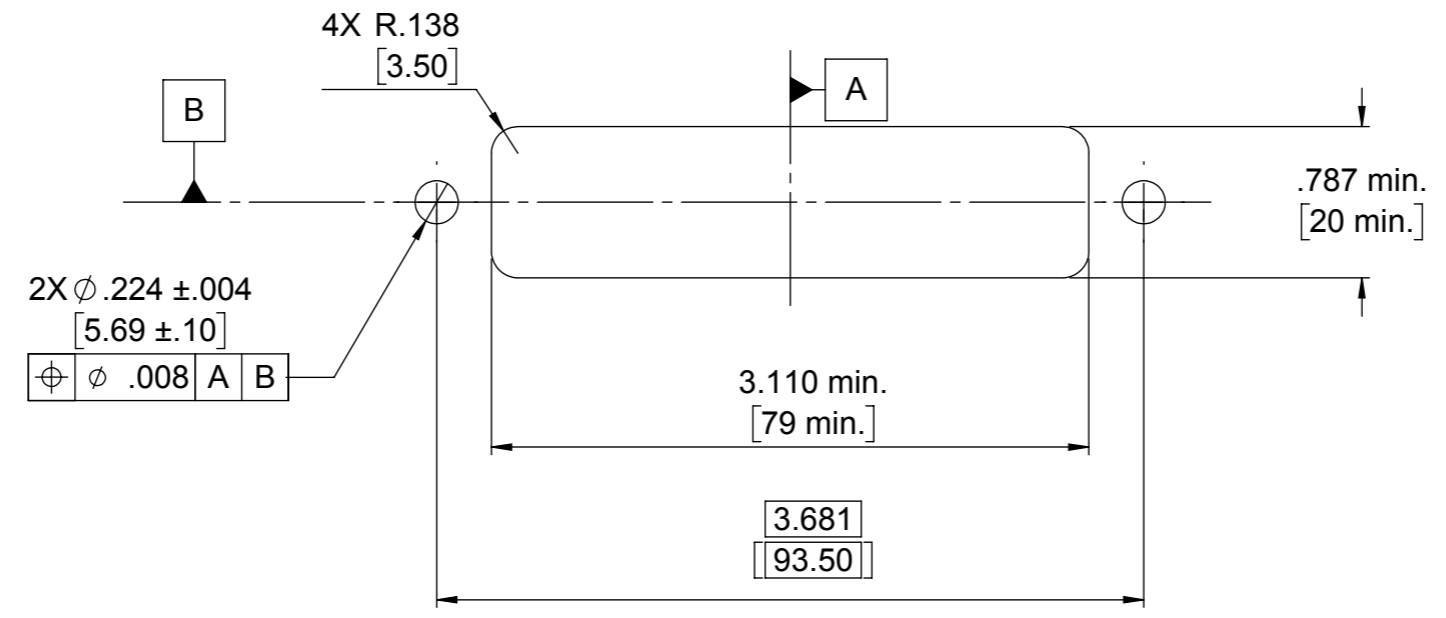
**SERIES**  
C-ENX

**DESIGNATION**  
C-ENX B2 PLUG CONNECTOR  
A: 25 POS. INSERT #22 & #8 CONTACT  
B: 6 POS. INSERT #12 CONTACT

**C-617610189-S**

**1**

FINISH



**PANEL CUTOUT**

					Sheet: 2 of 2		VOL :		WEIGHT:		SURF.:		
					ALL DIMENSIONS ARE PLATING INCLUDED		SCALE NONE		A3		<b>CINCH</b> CONNECTIVITY SOLUTIONS This document is the property of CINCH. It cannot be reproduced or communicated to a third party without a prior written permission.		
					Gen. Tol. inches   °								
					MATERIAL		DRAWN 03/27/19						
					TREATMENT		NAME CF						
					CHECKED		NAME						
<b>IND</b>	<b>ECN</b>	<b>MODIFICATION</b>			<b>DATE</b>	<b>NAME</b>	<b>CHECKED</b>						
<b>A</b>	<b>CREATION</b>	<b>PEN:</b>	<b>EP:</b>	<b>N°Provisional:</b>	<b>DATE</b>	<b>NAME</b>							