

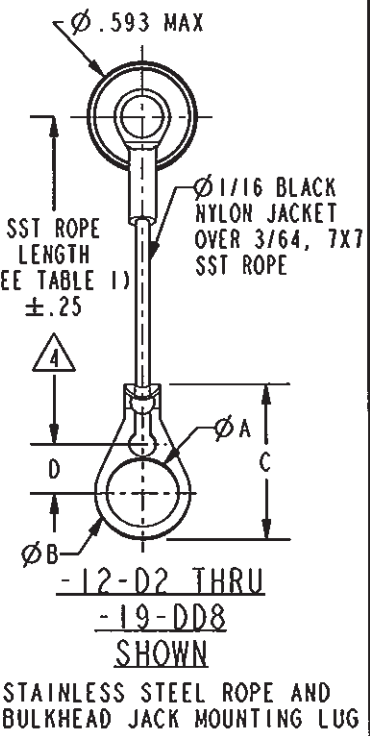
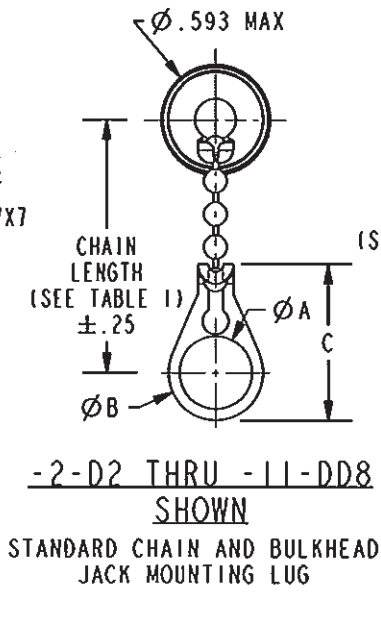
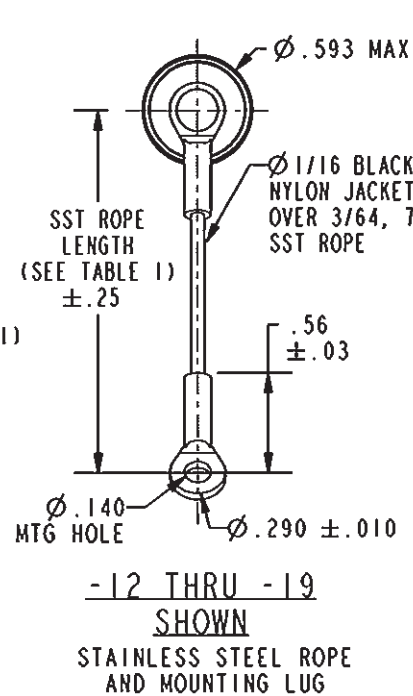
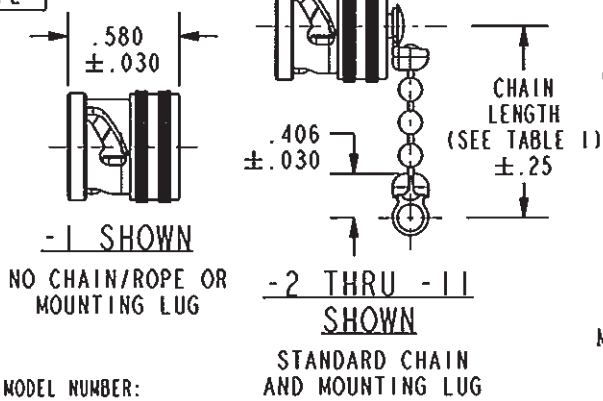
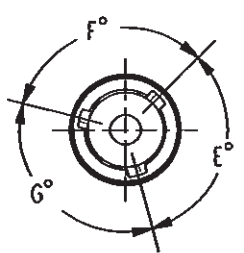
TABLE 1		TABLE 2				
DASH NO	DESCRIPTION	DASH NO	ØA	ØB	C DIM	D DIM
-1	NO CHAIN	-D2	.630	.750	1.066	.450
-2	2.5 BRASS CHAIN	-D3	.505	.625	.941	.388
-3	2.5 NYLON CHAIN	-D4	.439	.562	.878	.355
-4	3.0 BRASS CHAIN	-D5	.380	.500	.816	.325
-5	3.0 NYLON CHAIN	-D6	.317	.437	.753	.295
-6	6.0 BRASS CHAIN	-D7	.281	.406	.722	.278
-7	6.0 NYLON CHAIN	-D8	.610	.750	1.066	.450
-8	4.0 BRASS CHAIN	-D9	.567	.687	1.003	.419
-9	4.0 NYLON CHAIN	-D10	.192	.312	.628	.231
-10	10.0 BRASS CHAIN	-DD8	.330	.450	.766	.300
-11	10.0 NYLON CHAIN					
-12	2.5 SST ROPE					
-13	3.0 SST ROPE					
-14	6.0 SST ROPE					
-15	4.0 SST ROPE					
-16	7.0 SST ROPE					
-17	4.5 SST ROPE					
-18	12.0 SST ROPE					
-19	18.0 SST ROPE					

DATA CONTAINED IN THIS DOCUMENT IS PROPRIETARY TO TROMPETER ELECTRONICS INC. AND SHALL NOT BE DISCLOSED, COPIED OR USED FOR PURCHASING OR MANUFACTURE WITHOUT EXPRESS WRITTEN PERMISSION.

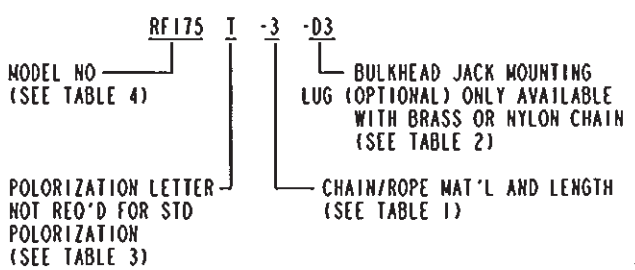
REVISIONS			
REV	DESCRIPTIONS	DATE	APPROVED
U	REVISED PER ECO # 16769	10/14/08	(Signature)

TABLE 3				
KEYING LETTER	E DEGREES	F DEGREES	G DEGREES	COLOR BAND
NONE	120°	120°	120°	NONE
T	100°	150°	110°	RED
U	120°	130°	110°	ORANGE
V	115°	130°	115°	YELLOW
W	125°	110°	125°	GREEN
X	130°	100°	130°	BLUE
Y	110°	140°	110°	VIOLET
Z	100°	160°	100°	GRAY
S	135°	135°	90°	WHITE

TABLE 4	
MODEL NUMBER	
RF175	3-LUG
RF175FL	4-LUG



3. EXAMPLE OF COMPLETE MODEL NUMBER:



2. FINISH: TFS-1A (NICKEL)

1. 3 AND 4 LUG BNC/TRB DUST CAP WITH CHAIN/ROPE OR MOUNTING LUG OPTIONS

**RED INDICATES ORIGINAL**

NOTE THAT LENGTH FOR SST ROPE WITH MOUNTING LUG OPTION IS NOT MEASURED TO CENTER OF BULKHEAD MOUNTING LUG

NOTES: UNLESS OTHERWISE SPECIFIED.

INTERPRET DRAWING PER MIL-STD-100. DIMENSIONS ARE IN INCHES AND INCLUDE FINISH THICKNESS UNLESS OTHERWISE SPECIFIED.	TOL: UNLESS SPECIFIED. .XX ± .02 .XXX ± .010 ANGLE ± 1°
DATE: 09-12-08 BY: J. CARPENTER CHK: M.J. QUALITY: [Signature]	MATERIAL:
DATE: 10-13-08 BY: [Signature]	FINISH:
NEXT ASSY: 305-0001	DO NOT SCALE DRG

**TROMPETER**  
RF connectivity  
a cinch connectivity solutions brand

RF175/RF175FL  
T/U/V/W/X/Y/Z/S

SIZE: A	CAGE CODE: 14949	DRAWING NO.: 305-0001	REV.: U
SCALE: 2/1	DATE: 10-4-67	SHEET: 1C	