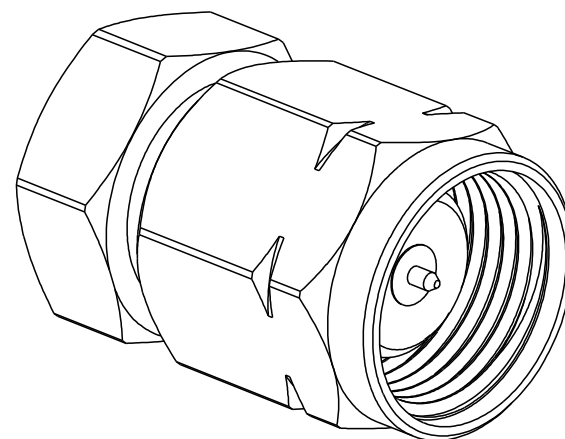
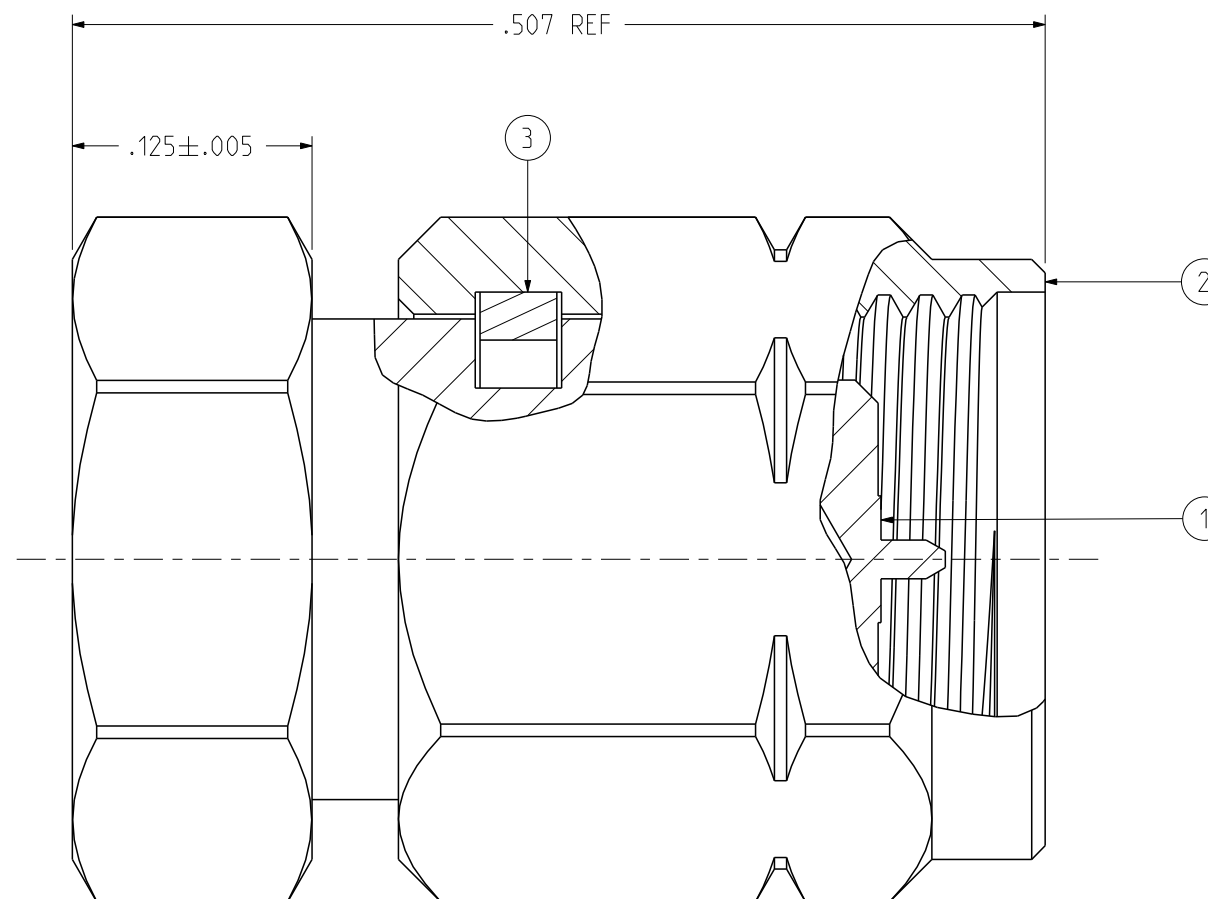
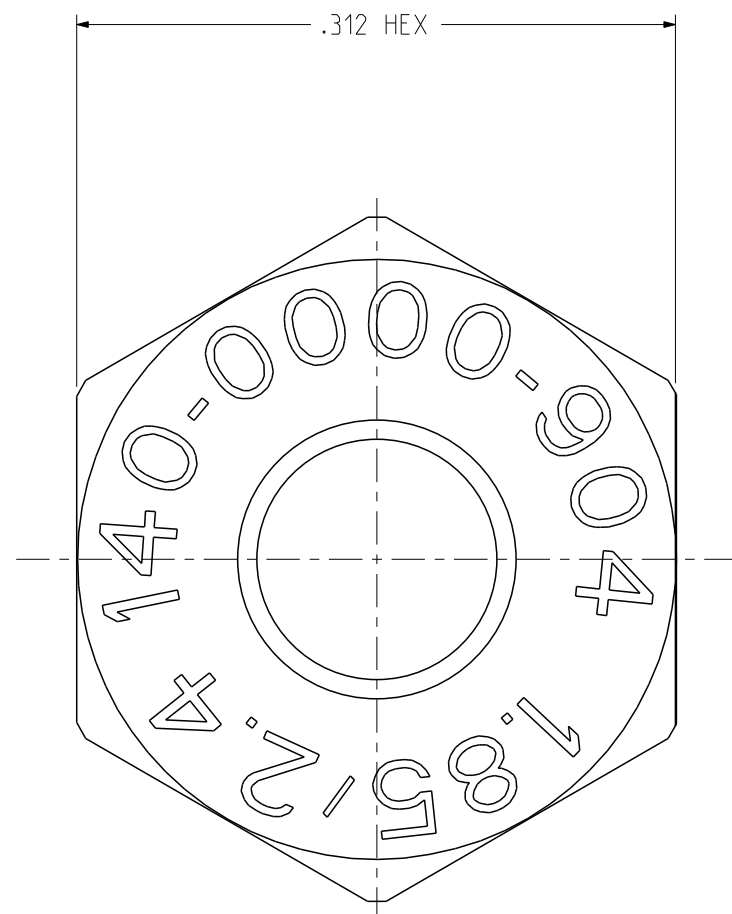


PART NUMBER	ITEM ① BODY	ITEM ② COUPLING NUT	ITEM ③ RETENTION SPRING
140-0000-904	STAINLESS STEEL PASSIVATED	STAINLESS STEEL PASSIVATED	BERYLLIUM COPPER UNPLATED

REV	ECO	DATE
1	INITIAL RELEASE	25 JUL 2023



NOTES:

1. THIS FIXTURE IS TO BE USED AS AN AID DURING THE SOLDERING PROCESS OF ATTACHING A 1.85MM/2.4MM JACK CONNECTOR TO A PC BOARD. THE FIXTURE PROTECTS THE MATING END OF THE CONNECTOR FROM DAMAGE AND ALSO MAINTAINS THE PROPER LOCATION OF THE CONNECTOR INSULATOR AND CONTACT WHILE HEAT IS APPLIED DURING SOLDERING. TO USE THE FIXTURE, THREAD THE COUPLING NUT ONTO THE MATING END OF THE 1.85MM/2.4MM JACK CONNECTOR AND HAND TIGHTEN TO A MAXIMUM OF 5 IN-LBS MATING TORQUE. THIS ASSEMBLY CAN NOW BE HELD IN A VICE OR SIMILAR CLAMPING DEVICE. ALLOW THE CONNECTOR TO COOL DOWN AFTER SOLDERING BEFORE REMOVING THE FIXTURE.

	Model No: 140-0000-904	JOHNSON	
	RoHS <input checked="" type="checkbox"/> (EU)/2015/863 COMPLIANT	Cage Code	Title: LOCAL POSITIONING SOLDERING TOOL FOR 1.85MM/2.4MM JACKS
<small>UNLESS OTHERWISE SPECIFIED UNITS: INCH</small> .XX ± .01 .XXX ± .003 .XXXX ± .0010 ANGLE ± 2°	<small>3RD ANGLE PROJECTION</small> 	Drawing No. 140-0000-904	REV. 1
	<small>INTERPRET DRAWING IN ACCORDANCE WITH ASME Y14.5-2018.</small>	Drawn by: Jimmy Chen Date: 07/25/2023	Size B DO NOT SCALE DRAWING